



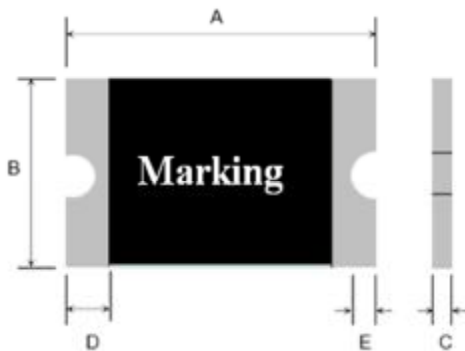
## Surface Mountable PTC Resettable Fuse: JK-mSMD Series

### Features:

- 2 RoHS Compliant & Halogen Free
- 2 faster tripping, 1812 Dimension, Surface mountable, Solid state
- 2 Operation Current: 0.10A~3.50A
- 2 Maximum Voltage: 6V~60Vdc
- 2 Operating Temperature: -40°C TO 85°C
- 2 Agency recognition:UL、CSA、TUV



### Product Dimensions



Pig.1

Terminal pad materials :Tin-Plated Nickle-copper  
 Terminal pad solderability : Meets EIA specification  
 RS 186-9E and ANSI/J-STD-002 Category 3.

Unit : mm

Model No.	Marking on sample	A		B		C		D	E
		Min	Max	Min	Max	Min	Max	Min	Min
JK-mSMD010	JK010	4.37	4.73	3.07	3.41	0.50	1.00	0.30	0.15
JK-mSMD010-60	JK010	4.37	4.73	3.07	3.41	0.50	1.00	0.30	0.15
JK-mSMD014-33	JK014	4.37	4.73	3.07	3.41	0.50	1.00	0.30	0.15
JK-mSMD014	JK014	4.37	4.73	3.07	3.41	0.50	1.10	0.30	0.15
JK-mSMD020	JK020	4.37	4.73	3.07	3.41	0.50	1.00	0.30	0.15
JK-mSMD030	JK030	4.37	4.73	3.07	3.41	0.50	1.00	0.30	0.15



Model No.	Marking on sample	A		B		C		D	E
		Min	Max	Min	Max	Min	Max	Min	Min
JK-mSMD050	JK050	4.37	4.73	3.07	3.41	0.40	0.90	0.30	0.15
JK-mSMD050-24	JK050	4.37	4.73	3.07	3.41	0.40	0.90	0.30	0.15
JK-mSMD050-30	JK050	4.37	4.73	3.07	3.41	0.40	1.00	0.30	0.15
JK-mSMD075	JK075	4.37	4.73	3.07	3.41	0.40	0.90	0.30	0.15
JK-mSMD075-24	JK075	4.37	4.73	3.07	3.41	0.50	1.20	0.30	0.15
JK-mSMD075-33	JK075	4.37	4.73	3.07	3.41	0.60	1.20	0.30	0.15
JK-mSMD110	JK110	4.37	4.73	3.07	3.41	0.40	0.90	0.30	0.15
JK-mSMD110-8	JK110	4.37	4.73	3.07	3.41	0.40	0.90	0.30	0.15
JK-mSMD110-24	JK110	4.37	4.73	3.07	3.41	0.60	1.30	0.30	0.15
JK-mSMD110-33	JK110	4.37	4.73	3.07	3.41	0.70	1.70	0.30	0.15
JK-mSMD125	JK125	4.37	4.73	3.07	3.41	0.50	1.20	0.30	0.15
JK-mSMD125-8	JK125	4.37	4.73	3.07	3.41	0.30	0.90	0.30	0.15
JK-mSMD150	JK150	4.37	4.73	3.07	3.41	0.30	0.90	0.30	0.15
JK-mSMD150-16	JK150	4.37	4.73	3.07	3.41	0.50	1.20	0.30	0.15
JK-mSMD150-24	JK150	4.37	4.73	3.07	3.41	0.80	1.70	0.30	0.15
JK-mSMD160	JK160	4.37	4.73	3.07	3.41	0.30	0.80	0.30	0.15
JK-mSMD200	JK200	4.37	4.73	3.07	3.41	0.40	1.20	0.30	0.15
JK-mSMD200-12	JK200	4.37	4.73	3.07	3.41	0.50	1.20	0.30	0.15
JK-mSMD200-16	JK200	4.37	4.73	3.07	3.41	0.50	1.20	0.30	0.15
JK-mSMD260	JK260	4.37	4.73	3.07	3.41	0.50	1.20	0.30	0.15
JK-mSMD260-12	JK260	4.37	4.73	3.07	3.41	0.60	1.50	0.30	0.15
JK-mSMD260-16	JK260	4.37	4.73	3.07	3.41	0.80	1.70	0.30	0.15
JK-mSMD300	JK300	4.37	4.73	3.07	3.41	0.50	1.50	0.30	0.15
JK-mSMD350	JK350	4.37	4.73	3.07	3.41	0.50	1.50	0.30	0.15



### Thermal Derating Chart-IH (A)

Part number	Maximum ambient operating temperatures (°C)								
	-40	-20	0	25	40	50	60	70	85
JK-mSMD010	0.16	0.14	0.12	0.10	0.08	0.07	0.06	0.05	0.03
JK-mSMD014	0.23	0.19	0.17	0.14	0.12	0.10	0.09	0.08	0.06
JK-mSMD020	0.29	0.26	0.23	0.20	0.17	0.15	0.14	0.12	0.10
JK-mSMD030	0.44	0.39	0.35	0.30	0.26	0.23	0.21	0.18	0.15
JK-mSMD050	0.59	0.57	0.55	0.50	0.45	0.43	0.35	0.30	0.23
JK-mSMD075	1.10	0.99	0.87	0.75	0.63	0.57	0.49	0.45	0.35
JK-mSMD110	1.60	1.45	1.28	1.10	0.92	0.83	0.71	0.66	0.52
JK-mSMD110-8	1.60	1.45	1.28	1.10	0.92	0.83	0.71	0.66	0.52
JK-mSMD110-24	1.60	1.45	1.28	1.10	0.92	0.83	0.71	0.66	0.52
JK-mSMD110-33	1.60	1.45	1.28	1.10	0.92	0.83	0.71	0.66	0.52
JK-mSMD125	2.00	1.75	1.52	1.25	1.00	0.95	0.90	0.75	0.53
JK-mSMD125-8	2.00	1.75	1.52	1.25	1.00	0.95	0.90	0.75	0.53
JK-mSMD150	2.30	2.05	1.77	1.50	1.23	1.09	0.95	0.82	0.61
JK-mSMD150-16	2.30	2.05	1.77	1.50	1.23	1.09	0.95	0.82	0.61
JK-mSMD150-24	2.30	2.05	1.77	1.50	1.23	1.09	0.95	0.82	0.61
JK-mSMD160	2.45	2.15	1.89	1.60	1.34	1.25	1.15	0.96	0.79
JK-mSMD200	2.89	2.61	2.30	2.00	1.75	1.66	1.45	1.39	1.19
JK-mSMD200-12	2.89	2.61	2.30	2.00	1.75	1.66	1.45	1.39	1.19
JK-mSMD200-16	2.89	2.61	2.30	2.00	1.75	1.66	1.45	1.39	1.19
JK-mSMD260	3.76	3.39	2.99	2.60	2.28	2.16	1.89	1.81	1.55
JK-mSMD260-12	3.38	3.05	2.69	2.60	2.05	1.94	1.70	1.63	1.39
JK-mSMD260-16	3.38	3.05	2.69	2.60	2.05	1.94	1.70	1.63	1.39
JK-mSMD300	4.34	3.92	3.45	3.00	2.63	2.49	2.18	2.09	1.79
JK-mSMD350	5.06	4.57	4.03	3.50	3.06	2.91	2.54	2.43	2.08

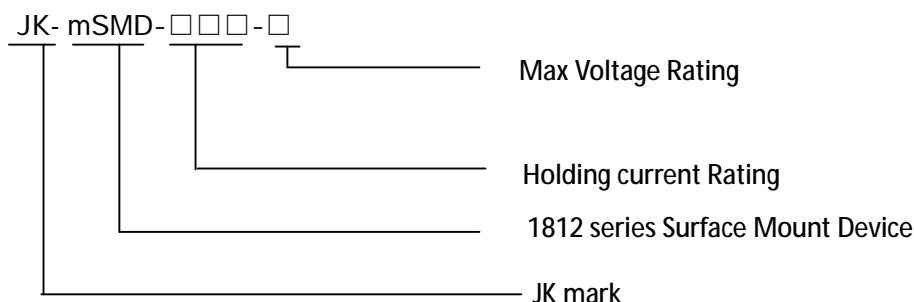
### Electrical Characteristic

Model No.	U <sub>max</sub> (Vdc)	I <sub>max</sub> (A)	I <sub>hold</sub> @25°C (A)	I <sub>trip</sub> @25°C (A)	Time to trip		R25	
					Current	Time	R <sub>i min</sub>	R <sub>1 max</sub>
					(A)	(Sec)	(Ω)	(Ω)
JK-mSMD010	30.0	100	0.10	0.30	0.5	1.50	0.750	15.000
JK-mSMD010-60	60.0	100	0.10	0.30	0.5	1.50	0.750	15.000
JK-mSMD014-33	33.0	100	0.14	0.34	1.5	0.15	0.650	6.000
JK-mSMD014	60.0	100	0.14	0.34	1.5	0.15	0.650	6.000



Model No.	Umax (Vdc)	Imax (A)	Ihold @25°C (A)	Itrip @25°C (A)	Time to trip		R25	
					Current	Time	Ri <sub>min</sub>	R1 <sub>max</sub>
					(A)	(Sec)	(Ω)	(Ω)
JK-mSMD020	30.0	100	0.20	0.40	8.0	0.02	0.350	5.000
JK-mSMD030	30.0	100	0.30	0.60	8.0	0.10	0.250	3.000
JK-mSMD050	15.0	100	0.50	1.00	8.0	0.15	0.150	1.000
JK-mSMD050-24	24.0	100	0.50	1.00	8.0	0.15	0.150	1.000
JK-mSMD050-30	30.0	100	0.50	1.00	8.0	0.15	0.150	1.000
JK-mSMD075	13.2	100	0.75	1.50	8.0	0.20	0.090	0.450
JK-mSMD075-24	24	100	0.75	1.50	8.0	0.20	0.090	0.450
JK-mSMD075-33	33	100	0.75	1.50	8.0	0.20	0.090	0.450
JK-mSMD110	16.0	100	1.10	2.20	8.0	0.30	0.050	0.250
JK-mSMD110-8	8.0	100	1.10	2.20	8.0	0.30	0.050	0.250
JK-mSMD110-24	24.0	100	1.10	2.20	8.0	0.30	0.050	0.250
JK-mSMD110-33	33.0	100	1.10	2.20	8.0	0.30	0.050	0.250
JK-mSMD125-8	8.0	100	1.25	2.50	8.0	0.40	0.050	0.200
JK-mSMD125	16.0	100	1.25	2.50	8.0	0.40	0.050	0.200
JK-mSMD150	8.0	100	1.50	3.00	8.0	0.50	0.040	0.160
JK-mSMD150-16	16.0	100	1.50	3.00	8.0	0.50	0.040	0.160
JK-mSMD150-24	24.0	100	1.50	3.00	8.0	0.50	0.040	0.160
JK-mSMD160	8.0	100	1.60	2.80	8.0	1.00	0.030	0.130
JK-mSMD200	8.0	100	2.00	4.00	8.0	2.00	0.020	0.100
JK-mSMD200-12	12.0	100	2.00	4.00	8.0	2.00	0.020	0.100
JK-mSMD200-16	16.0	100	2.00	4.00	8.0	2.00	0.020	0.100
JK-mSMD260	8.0	100	2.60	5.00	8.0	2.50	0.015	0.050
JK-mSMD260-12	12.0	100	2.60	5.00	8.0	2.50	0.015	0.060
JK-mSMD260-16	16.0	100	2.60	5.00	8.0	2.50	0.015	0.060
JK-mSMD300	6.0	100	3.00	5.00	8.0	4.00	0.012	0.040

**Part Numbering System**





Test	Test Conditions	Accept/Reject Criteria
Resistance	In still air @ 25°C	$R_{min} \leq R \leq R_{max}$
Time to Trip	Specified current, $V_{max}$ , 25°C	$T \leq$ maximum Time to Trip
Hold Current	30min, at $I_H$	No trip
Trip Cycle Life	$V_{max}$ , $I_{max}$ , 100cycles	No arcing or burning
Trip Endurance	$V_{max}$ , 1 hours	No arcing or burning

## Physical Characteristics and Environmental Specifications

## Physical Characteristics

Terminal materials :	Tin-Plated Nickle-copper	
Soldering zone	Meets EIA specification RS 186-9E and ANSI/J-STD-002 Category 3.	
Environmental Specifications		
Test	Conditions	Resistance Change
Passive aging	85°C, 1000hours	±10%
Humidity aging	85°C/85%RH. 1000 hours	±5%
Thermal shock	MIL-STD-202, Method 107G +85°C/-40°C, 20times	-30% typical resistance change
Solvent Resistance	MIL-STD-202, Method 215	no change
Vibration	ML-STD-883C, Test Condition A	No chage

## Electrical Specifications:

$I_{hold}$  = Hold Current. Maximum current device will not trip in 25°C still air.

$I_{trip}$  = Trip Current. Minimum current at which the device will always trip in 25°C still air.

$V_{max}$  = Maximum operating voltage device can withstand without damage at rated current ( $I_{max}$ ).

$I_{max}$  = Maximum fault current device can withstand without damage at rated voltage ( $V_{max}$ ).

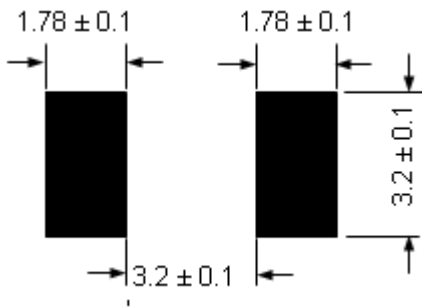
$P_d$  = Maximum power dissipation when device is in the tripped state in 25°C still air environment at rated voltage.

$R_{i_{min/max}}$  = Minimum/Maximum device resistance prior to tripping at 25°C.

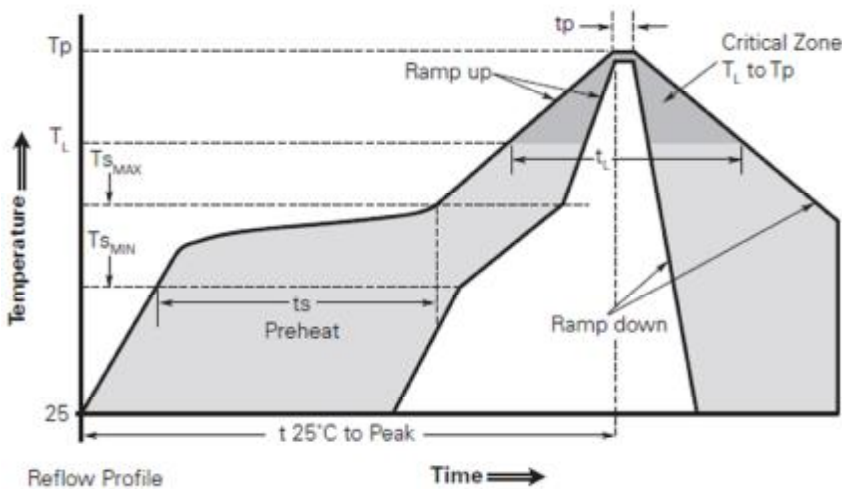
$R_{I_{max}}$  = Maximum device resistance is measured one hour post reflow.



**Recommended pad layout (mm)**



**Solder reflow conditions**



Profile Feature	Pb-Free Assembly
Average ramp up rate (T <sub>S</sub> MAX to T <sub>p</sub> )	3°C/second max.
<b>Preheat</b>	
• Temperature min. (T <sub>S</sub> MIN)	150°C
• Temperature max. (T <sub>S</sub> MAX)	200°C
• Time (t <sub>S</sub> MIN to t <sub>S</sub> MAX)	60-120 seconds
<b>Time maintained above:</b>	
• Temperature (T <sub>l</sub> )	217°C
• Time (t <sub>l</sub> )	60-150 seconds
<b>Peak/Classification temperature (T<sub>p</sub>)</b>	260°C
<b>Time within 5°C of actual peak temperature</b>	
Time (t <sub>p</sub> )	30 seconds max.
<b>Ramp down rate</b>	3°C/second max.
<b>Time 25°C to peak temperature</b>	8 minutes max.

**Note:** All temperatures refer to topside of the package, measured on the package body surface.

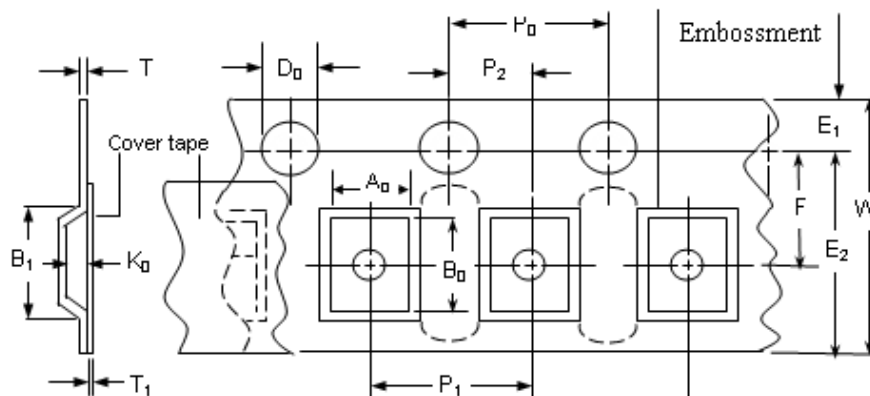
- Recommended reflow methods: IR, vapor phase oven, hot air oven, N2 environment for lead-free.
- Devices are not designed to be wave soldered to the bottom side of the board.
- Recommended maximum paste thickness is 0.25mm (0.010inch).
- Devices can be cleaned using standard industry methods and solvents.
- Soldering temperature profile meets RoHs leadfree process.

Notes: If reflow temperatures exceed the recommended profile, devices may not meet the

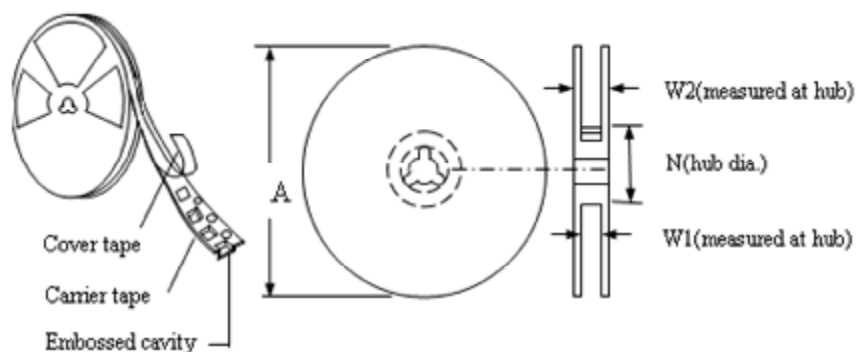


Covering Specifications EIA 481-1(Unit:mm)	
W	12.00+0.30/-0
P <sub>0</sub>	8.0 ± 0.10
P <sub>1</sub>	4.0± 0.10
P <sub>2</sub>	2.0 ± 0.10
A <sub>0</sub>	3.50 ± 0.10
B <sub>0</sub>	4.90 ± 0.10
D <sub>0</sub>	1.50+0.10/-0
F	5.50± 0.05
E <sub>1</sub>	1.75 ± 0.10
T	0.30± 0.10
Leader min.	390
Trailer min.	160
Reel Dimensions	
A	178±1.0
N	59±1
W <sub>1</sub>	8.5+1.0/-0.2
W <sub>2</sub>	12.0±1

**EIA Tape Component Dimentions**



**EIA Reel Dimentions**



**Packaging Quantity**

Part number	Quantity	Part number	Quantity
JK-mSMD010	1500	JK-mSMD110-33	1500
JK-mSMD010-60	1500	JK-mSMD125-8	2000
JK-mSMD014-33	1500	JK-mSMD125	1500
JK-mSMD014	1500	JK-mSMD150	2000
JK-mSMD020	1500	JK-mSMD150-16	1500
JK-mSMD030	1500	JK-mSMD150-24	1500
JK-mSMD050	2000	JK-mSMD160	2000
JK-mSMD050-24	2000	JK-mSMD200	2000
JK-mSMD050-30	2000	JK-mSMD200-12	1500
JK-mSMD075	2000	JK-mSMD200-16	1500
JK-mSMD075-24	2000	JK-mSMD260	1500
JK-mSMD075-33	1500	JK-mSMD260-12	1500
JK-mSMD110	2000	JK-mSMD260-16	1500
JK-mSMD110-8	2000	JK-mSMD300	1500
JK-mSMD110-24	1500		



### **Storage**

The maximum ambient temperature shall not exceed 38°C. Storage temperatures higher than 38°C could result in the deformation of packaging materials. The maximum relative humidity recommended for storage is 60%. High humidity with high temperature can accelerate the oxidation of the solder plating on the termination and reduce the solderability of the components. Sealed plastic bags with desiccant shall be used to reduce the oxidation of the termination and shall only be opened prior to use. The products shall not be stored in areas where harmful gases containing sulfur or chlorine are present

### **Warning**

- Use PPTC beyond the maximum ratings or improper use may result in device damage and possible electrical arcing and flame.
- PPTC are intended for protection against occasional over current or over temperature fault conditions and should not be used when repeated fault conditions or prolonged trip events are anticipated.
- Device performance can be impacted negatively if devices are handled in a manner inconsistent with recommended electronic, thermal, and mechanical procedures for electronic components.
- Use PPTC with a large inductance in circuit will generate a circuit voltage ( $L di/dt$ ) above the rated voltage of the PPTC.
- Avoid impact PPTC device its thermal expansion like placed under pressure or installed in limited space.
- Contamination of the PPTC material with certain silicon based oils or some aggressive solvents can adversely impact the performance of the devices.PPTC SMD can be cleaned by standard methods.
- Requests that customers comply with our recommended solder pad layouts and recommended reflow profile. Improper board layouts or reflow profile could negatively impact solderability performance of our devices.

### **Notes**

The specification is intended to present application,product and technical data to assist the user in selecting PPTC circuit production devices,However,users should imdependently evaluate and test the suitability of each product.JinRui makes on warranties as to the acduracy or completeness of the information and disclaims any liatility resulting form its use,JinRui's only obligations are those im the JinRui Standard Rerms and Conditions of Sale and in no case will JinRui be liable for any incidental,imdirect,or consequential damages arising from the sale,resale,or misues of its products. Jinrui reserves the right to change of update, without notice, any information contained in this specification.



## X-ON Electronics

Largest Supplier of Electrical and Electronic Components

*Click to view similar products for [Resettable Fuses - PPTC category](#):*

*Click to view products by [Jinrui Electronic Materials manufacturer](#):*

Other Similar products are found below :

[0001.1010.G](#) [D38999/20WG39JN](#) [F02B250V1-4AS](#) [9728214S-2\(621\)](#) [RF0627-000](#) [RF2534-000](#) [ASMD185-2](#) [EN2997S61212AN](#)  
[EN2997SE61203AN](#) [BK-ABC-V-5-R](#) [LR4-550RAF](#) [SMD125-2](#) [F60C500V20AS](#) [RF0078-000](#) [RF1548-000](#) [RF1973-000](#) [RF2171-000](#)  
[RF2531-000](#) [RF2533-000](#) [RF2550-000](#) [TR600-150Q-B-0.5-0.130](#) [BK-AGX-20](#) [5E4795/04-1502](#) [EN2997S61212MN](#) [EN2997SE61203MN](#)  
[EN2997SE61212AN](#) [EN2997SE61212MN](#) [EN2997KE61212MN](#) [EN2997K61212MN](#) [EN2997KE61212AN](#) [EN2997K61212AN](#) [BK1/S505-](#)  
[1.25-R](#) [TR-3216FF20-R](#) [TRF250-080T-B-1.0-0.125](#) [JT06RT1832BN014](#) [S-3-2-10](#) [SMD100-2](#) [FRN-R-5-6-10](#) [FRS-R-3-2-10](#) [LP-CC-2-1-2](#)  
[LPS-RK-3-2-10SP](#) [BK-AGC-1-8-R](#) [BK-AGC-2-10-R](#) [BK-AGC-7-1-2](#) [BK-GDC-500MA](#) [BK-MDL-1-6-10-R](#) [BK-SFE-4](#) [BK-ABC-1-R](#) [BK-](#)  
[C518-250-R](#) [BK-GDB-2A](#)