

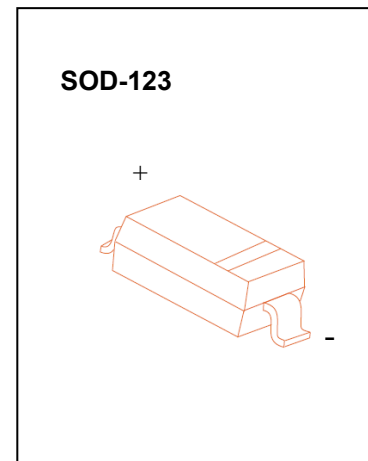


BAV21W

FEATURES

Fast Switching Speed
 Surface Mount Package Ideally Suited for Automatic Insertion
 For General Purpose Switching Applications
 High Conductance

MARKING: BAV19W: A8
 BAV20W: T2
 BAV21W: T3



Maximum Ratings and Electrical Characteristics, Single Diode @T_A=25°C

Parameter	Symbol	BAV19W	BAV20W	BAV21W	Unit
Non-Repetitive Peak reverse voltage	V _{RM}	120	200	250	V
Peak Repetitive Peak reverse voltage	V _{RRM}				
Working Peak Reverse Voltage	V _{RWM}	100	150	250	V
DC Blocking Voltage	V _R				
RMS Reverse Voltage	V _{R(RMS)}	71	106	141	V
Forward Continuous Current	I _{FM}	400			mA
Average Rectified Output Current	I _O	200			mA
Peak forward surge current @=1.0ms @=1.0s	I _{FSM}		2.5 0.5		A
Repetitive Peak Forward Current	I _{FRM}		625		mA
Power Dissipation	P _d		500		mW
Thermal Resistance Junction to Ambient	R _{θJA}		250		°C/W
Storage temperature	T _{STG}		-65~+150		°C

Electrical Ratings @T_A=25°C

Parameter	Symbol	Min.	Typ.	Max.	Unit	Conditions
Forward voltage	V _{F1}			1.0	V	I _F =0.1A
	V _{F2}			1.25		I _F =0.2A
Reverse current	I _R			0.1	μA	V _R =100V
				0.1		V _R =150V
				0.1		V _R =200V
Capacitance between terminals	C _T			5	pF	V _R =0V, f=1MHz
Reverse Recovery Time	t _{rr}			50	ns	I _F =I _R =30mA I _{rr} =0.1X I _R , R _L =100Ω

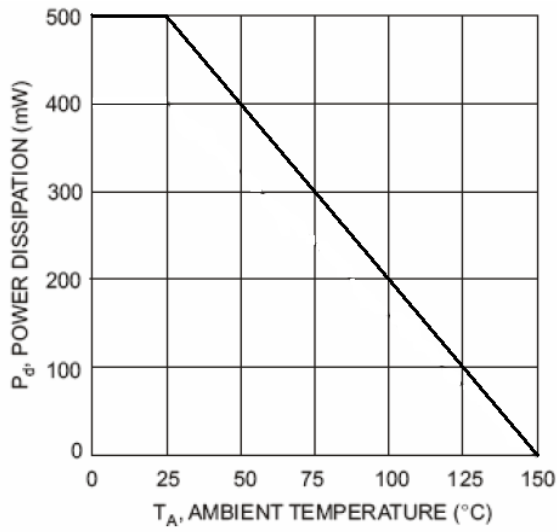


Fig. 1 Power Derating Curve

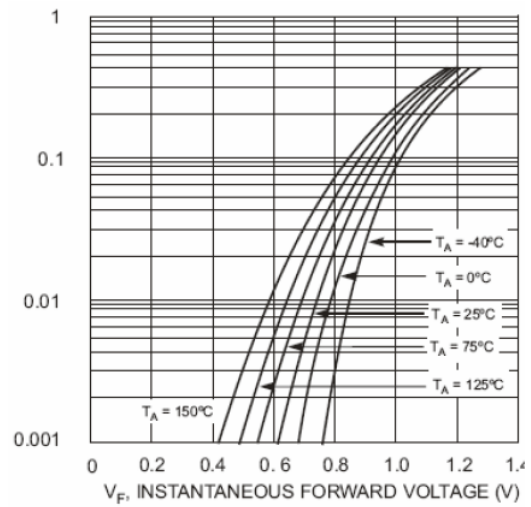


Fig. 2 Typical Forward Characteristics

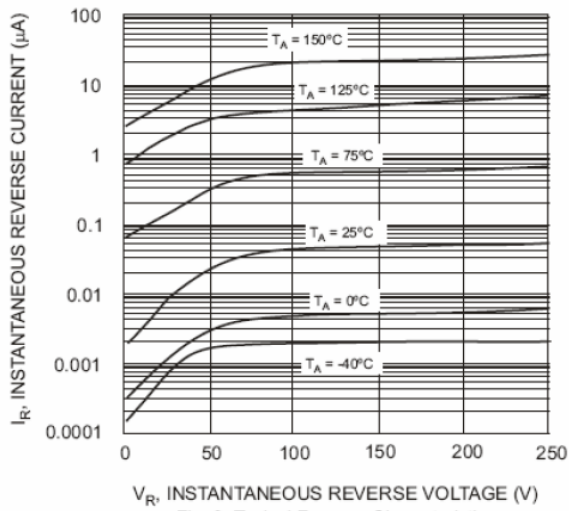


Fig. 3 Typical Reverse Characteristics

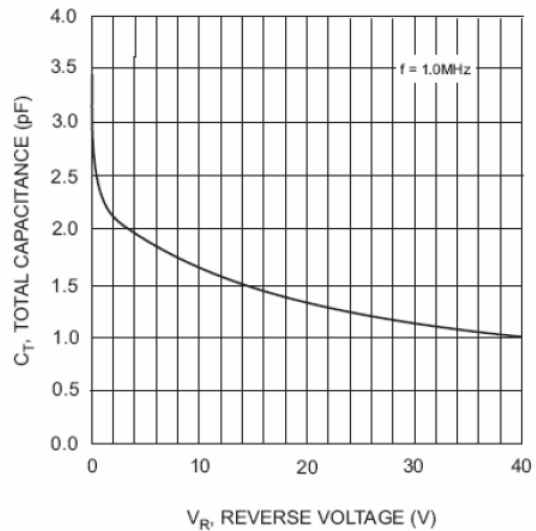


Fig. 4 Typical Capacitance vs. Reverse Voltage

X-ON Electronics

Largest Supplier of Electrical and Electronic Components

Click to view similar products for [Diodes - General Purpose, Power, Switching category](#):

Click to view products by [Jinyu manufacturer](#):

Other Similar products are found below :

[MCL4151-TR3](#) [MMBD3004S-13-F](#) [RD0306T-H](#) [RD0506LS-SB-1H](#) [RGP30G-E373](#) [DSE010-TR-E](#) [BAQ333-TR](#) [BAQ335-TR](#) [BAQ33-GS18](#) [BAS1602VH6327XT](#) [BAV17-TR](#) [BAV19-TR](#) [BAV301-TR](#) [BAW27-TAP](#) [HSC285TRF-E](#) [NSVBAV23CLT1G](#) [NTE525](#) [1SS181-TP](#) [1SS184-TP](#) [1SS193,LF](#) [1SS193-TP](#) [1SS400CST2RA](#) [SBAV99LT3G](#) [SDAA13](#) [LL4448-GS18](#) [SHN2D02FUTW1T1G](#) [LS4150GS18](#) [LS4151GS08](#) [SMMD7000LT3G](#) [FC903-TR-E](#) [1N4449](#) [1N4934-E3/73](#) [1SS226-TP](#) [APT100DL60HJ](#) [RFUH20TB3S](#) [RGP30G-E354](#) [RGP30M-E3/73](#) [D291S45T](#) [MCL4151-TR](#) [BAS 16-02V H6327](#) [BAS 21U E6327](#) [BAS 28 E6327](#) [BAS33-TAP](#) [BAS 70-02V H6327](#) [BAV300-TR](#) [BAV303-TR3](#) [BAW27-TR](#) [BAW56DWQ-7-F](#) [BAW56M3T5G](#) [BAW75-TAP](#)