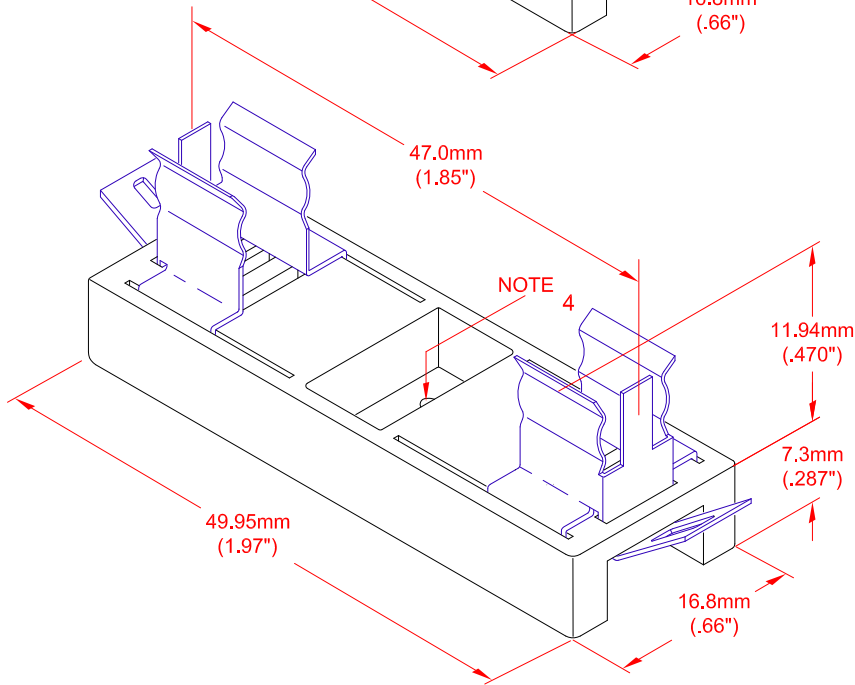


JKL PART NO.: 2910F-42



JKL PART NO.: 2910F-47

NOTES:

1. TAB SIZE REFERENCE DIMENSIONS: .244" wide X .30" deep X .016 thick.
KEYSTONE P/N 4470 QUICK-FIT SOCKET MAY BE USED FOR CONTACT.
2. LAMP SIZES FOR EACH HOLDER:
-42 HOLDER CAN HOLD LAMPS FROM 38mm TO 43mm LONG
-47 HOLDER CAN HOLD LAMPS FROM 40mm TO 44mm LONG
3. MINIMUM CONTACT DIAMETER .30"
4. LOCATION OF MOUNTING HOLE. HOLE DIA. : Ø3.5mm REF.
5. BODY MATERIAL: DUPONT FR50
MAX. WITHSTAND TEMPERATURE 130C
MAX. INTERMITTENT TEMPERATURE 180C
MAX. WATTAGE: -42 10W
 -47 18W

<table border="1"> <tr> <td>F</td> <td>CHANGE NOTE 2 HOLDER SIZES</td> <td>8/23/12</td> </tr> <tr> <td>E</td> <td>CHANGE NOTE 2</td> <td>3/9/10</td> </tr> <tr> <td>D</td> <td>ADDED NOTES</td> <td>8/7/08</td> </tr> <tr> <td>C</td> <td>CORR. MATERIAL DESCRIPTION</td> <td>11/13/07</td> </tr> <tr> <td>B</td> <td>ADD NOTES</td> <td>8/18/06</td> </tr> <tr> <td>A</td> <td>ADD PART NO. 2910F-47</td> <td>6/30/06</td> </tr> <tr> <td></td> <td>RELEASED</td> <td>6/12/06</td> </tr> </table>			F	CHANGE NOTE 2 HOLDER SIZES	8/23/12	E	CHANGE NOTE 2	3/9/10	D	ADDED NOTES	8/7/08	C	CORR. MATERIAL DESCRIPTION	11/13/07	B	ADD NOTES	8/18/06	A	ADD PART NO. 2910F-47	6/30/06		RELEASED	6/12/06	<p>METRIC</p> <p>THIRD ANGLE PROJECTION</p>		<p>DIMENSIONS ARE IN MILLIMETERS</p> <p>TOLERANCE UNLESS OTHERWISE SPECIFIED</p> <p>1 PL +/- REF.</p> <p>2 PL +/- REF.</p> <p>ANGLE +/- 0</p>		<p>JKL COMPONENTS CORPORATION</p>			
F	CHANGE NOTE 2 HOLDER SIZES	8/23/12																													
E	CHANGE NOTE 2	3/9/10																													
D	ADDED NOTES	8/7/08																													
C	CORR. MATERIAL DESCRIPTION	11/13/07																													
B	ADD NOTES	8/18/06																													
A	ADD PART NO. 2910F-47	6/30/06																													
	RELEASED	6/12/06																													
			<p>DRAWN BY L. WENGSTROM</p> <p>APPV'D BY L. R.</p> <p>DATE 8/23/12</p>		<p>SIZE A</p> <p>FSCM NO. 55335</p>		<p>TITLE FESTOON HOLDER</p>		<p>DRAWING NO. 2910F</p>																						
<p>REV. NO.</p>			<p>DESCRIPTION/ECO NUMBER</p>		<p>APPV'D DATE</p>		<p>SCALE NONE</p>		<p>RELEASED DATE 6/12/06</p>		<p>REVISION DATE 8/23/12</p>		<p>REV. NO. F</p>		<p>SHEET 1 OF 1</p>																
<p align="center">- CAD DRAWING - MANUAL REVISIONS NOT PERMITTED</p>																															

X-ON Electronics

Largest Supplier of Electrical and Electronic Components

Click to view similar products for [Lamp Holders & Accessories](#) category:

Click to view products by [JKL](#) manufacturer:

Other Similar products are found below :

[811730-1](#) [MS25041-8-327](#) [162-8430-0931-502-327](#) [PBMBN](#) [251-7538-15-504](#) [2802](#) [294502](#) [162-8430-0932-502-327](#) [183-9730-14-602](#) [21-](#)
[16](#) [251-8738-15-504](#) [259-1930-29-801](#) [2707508753800](#) [350-0410-01-203](#) [367-8430-0971-503](#) [367-8430-09-802](#) [367-8430-09-810](#) [371-](#)
[8738-14-504](#) [4610](#) [367-8430-0972-503](#) [367-8430-09-808](#) [367-8430-09-809](#) [492H412-9](#) [MS25256-2-327](#) [737AS15](#) [830-1430-14-503](#)
[PBMBP](#) [851-1030-0001-504](#) [047340229301](#) [061131002301](#) [081041001100](#) [019310105301](#) [080320205303](#) [361-8836-0931-552](#)
[1.71.209.001/0000](#) [1.71.209.001/0000](#) [1301910073](#) [04-12](#) [02-82](#) [26-07](#) [07-20](#) [101-8430-09-203](#) [177-8430-09-503](#) [162-8430-0937-502](#) [812-](#)
[1030-09-506](#) [250-8738-14-504](#) [125-1310-11-103](#) [270-1930-702](#) [MS25041-7-327](#) [162-8430-0931-502](#)