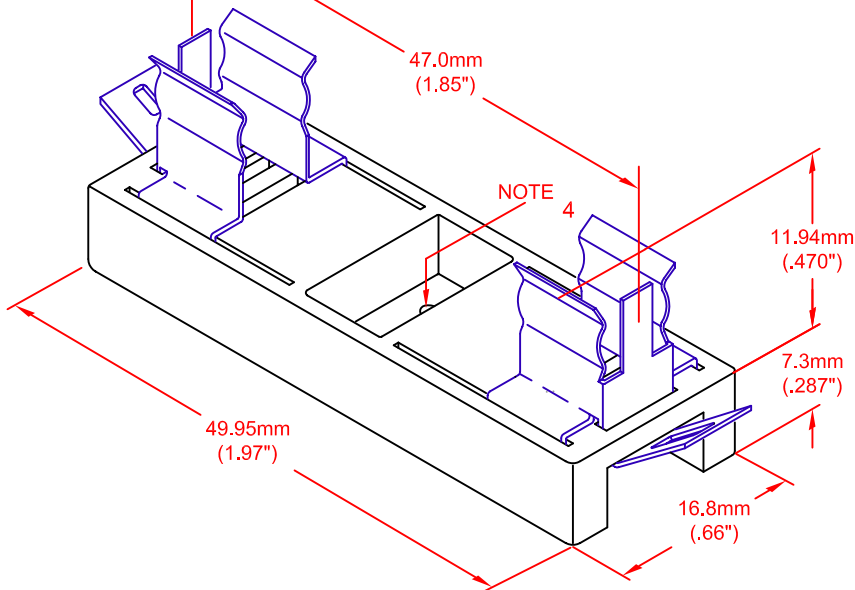


JKL PART NO.: 2910F-42



JKL PART NO.: 2910F-47

NOTES:

1. TAB SIZE REFERENCE DIMENSIONS: .244" wide X .30" deep X .016 thick.
KEYSTONE P/N 4470 QUICK-FIT SOCKET MAY BE USED FOR CONTACT.
2. LAMP SIZES FOR EACH HOLDER:
-42 HOLDER CAN HOLD LAMPS FROM 30mm TO 40mm LONG
-47 HOLDER CAN HOLD LAMPS FROM 37mm TO 44mm LONG
3. MINIMUM CONTACT DIAMETER .30"
4. LOCATION OF MOUNTING HOLE. HOLE DIA. : Ø3.5mm REF.
5. BODY MATERIAL: DUPONT FR50
MAX. WITHSTAND TEMPERATURE 130C
MAX. INTERMITTENT TEMPERATURE 180C
MAX. WATTAGE: -42 10W
 -47 18W

| | | | | | | | | | | |
|------------------------------|------------------------|------------|--------------------------------|--|--|----------|---------------|---------------|----------|--------|
| E CHANGE NOTE 2 | | 3/9/10 | <p>THIRD ANGLE PROJECTION</p> | <p>METRIC</p> <p>DIMENSIONS ARE IN MILLIMETERS</p> <p>TOLERANCE UNLESS OTHERWISE SPECIFIED</p> <p>1 PL +/- REF.</p> <p>2 PL +/- REF.</p> <p>ANGLE +/- 0</p> | <p>JKL COMPONENTS CORPORATION</p> | | | | | |
| D ADDED NOTES | | 8/7/08 | | | TITLE | | | | | |
| C CORR. MATERIAL DESCRIPTION | | 11/13/07 | FESTOON HOLDER | | | | | | | |
| B ADD NOTES | | 8/18/06 | DRAWN BY | APPVD BY | DATE | SIZE | FSCM NO. | DRAWING NO. | 2910F | |
| A ADD PART NO. 2910F-47 | | 6/30/06 | L. WENGSTROM | L. R. | 3/9/10 | A | 55335 | | | |
| RELEASED | | 6/12/06 | - CAD DRAWING - | | | SCALE | RELEASED DATE | REVISION DATE | REV. NO. | SHEET |
| REV. NO. | DESCRIPTION/ECO NUMBER | APPVD DATE | MANUAL REVISIONS NOT PERMITTED | | | NONE | 6/12/06 | 3/9/10 | E | 1 OF 1 |

X-ON Electronics

Largest Supplier of Electrical and Electronic Components

Click to view similar products for [LED Mounting Hardware](#) category:

Click to view products by [JKL](#) manufacturer:

Other Similar products are found below :

[00624250](#) [00624750](#) [M2200](#) [7047](#) [990-4901-010](#) [990-8115-001](#) [CMP22](#) [M16-T1](#) [C-101](#) [L2K-L4GD](#) [L2K-L5XL](#) [LDN51-125SL/BT](#)
[00624500](#) [7046](#) [7056](#) [SN3486](#) [26-0053](#) [CM00624375](#) [CM00624900](#) [RNG132](#) [FIX-LEDH-10.5](#) [FIX-LEDH-11](#) [FIX-LEDH-11.5](#) [FIX-](#)
[LEDH-12](#) [FIX-LEDH-14](#) [FIX-LEDH-17](#) [FIX-LEDH-18](#) [FIX-LEDH-4](#) [FIX-LEDH-7.5](#) [FIX-LEDS-1.5](#) [FIX-LEDS-3.5](#) [FIX-LEDT-11](#) [FIX-](#)
[LEDT-20](#) [FIX-LEDT-26](#) [FIX-LEDT-9](#) [SQLEDS2-4-26](#) [7382](#) [CNXDX4624](#) [CNXDX4608](#) [CNXDF4608](#) [4740](#) [CNXCE4124](#) [CNXCE4112](#)
[CNX460-X02-4-1-08](#) [CNX440-X02-4-1-24](#) [CNX440-X02-4-1-18](#) [CNX440-E02-4-1-08](#) [506-0073](#) [SSH-LX5091](#) [SN1287-C](#)