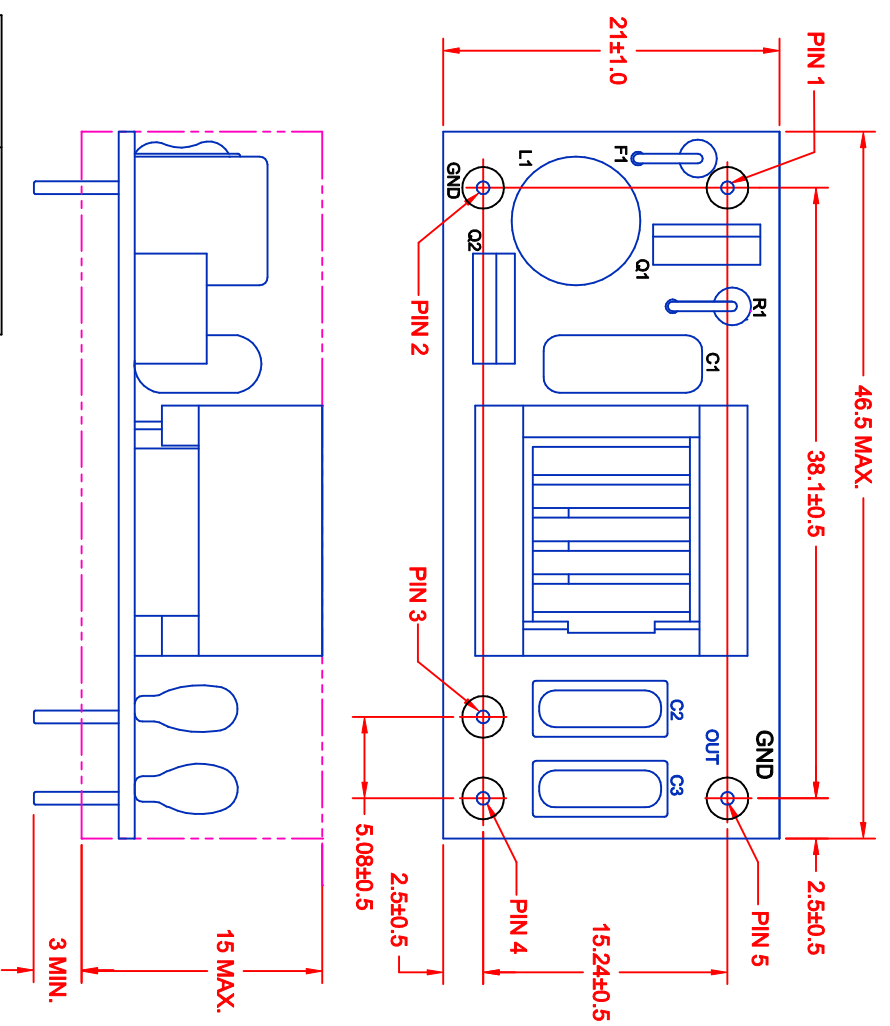


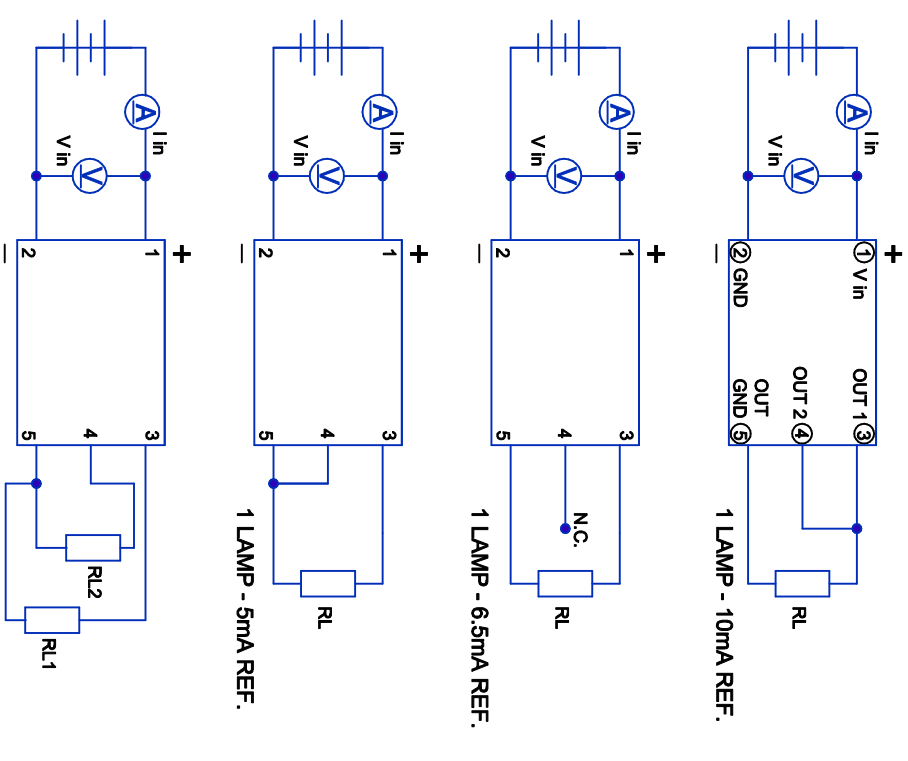
REV.	DESCRIPTION/ECCO NO.	DATE
	RELEASED	3/10/03
A	DIM. CHANGE	3/27/03



**CAUTION:**  
**REVERSE POLARITY TO INVERTER**  
**INPUT WILL CAUSE AN OPEN CIRCUIT**  
**IN FUSE F1.**

BOARD PIN #	INPUT
1	+V (V In)
2	V (GND)
3	OUT 1
4	OUT2
5	OUT (GND)

CHARACTERISTICS	MIN	TYP	MAX
INPUT VOLTAGE: (Vdc)	10.8	12.0	13.2
INPUT CURRENT: (mA)	220	260	500
OUTPUT VOLTAGE: (Vrms)	950	1000	1050
OUTPUT CURRENT (mA) x 2	4.5	5.5	6.5
OUTPUT FREQUENCY: (KHz)	25	35	45
OPERATING TEMP: (CELSIUS)	0	25	50



**JKL COMPONENTS CORPORATION**

**12 V CCFL POWER SUPPLY**

**METRIC** DIMENSIONS ARE IN MILLIMETERS TOLERANCE UNLESS OTHERWISE SPECIFIED  
 1 PL +/- 0.3  
 2 PL +/- 0.3  
 THIRD ANGLE PROJECTION

DRAWN BY L. WENGSTROM  
 APP'D BY F.D.  
 DATE 3/27/03

SCALE: NONE

SIZE: A

FSQH NO. 55335  
 DRAWING NO. BXA-12529

RELEASED DATE 3/10/03  
 REVISION DATE 3/27/03

REV. NO. A SHEET OF

- CAD DRAWING -  
 MANUAL REVISIONS NOT PERMITTED

## **X-ON Electronics**

Largest Supplier of Electrical and Electronic Components

*Click to view similar products for [EL/CCFL Inverters & Accessories](#) category:*

*Click to view products by [JKL](#) manufacturer:*

Other Similar products are found below :

[HVI-5P](#) [BXC-10546](#) [CXA-2115](#) [CXA-0454](#) [BXA-601](#) [BXA-24529](#) [BXA-12563/KIT](#) [HBL-0334](#) [CXA-L0524-NJL](#) [CXA-P1212A-WJL](#)  
[CXA-P1212-VJL](#)