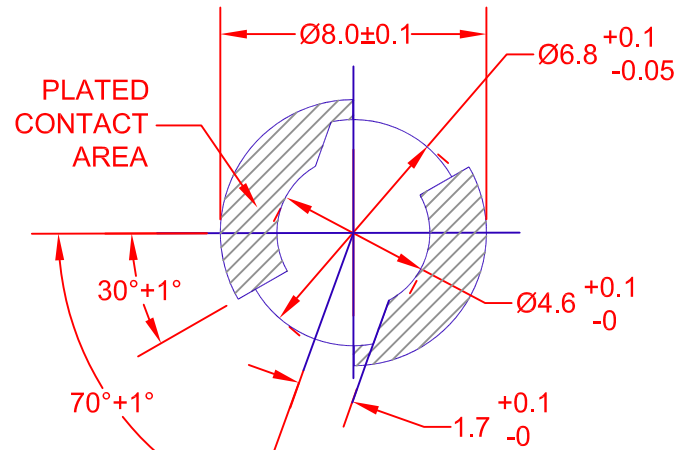
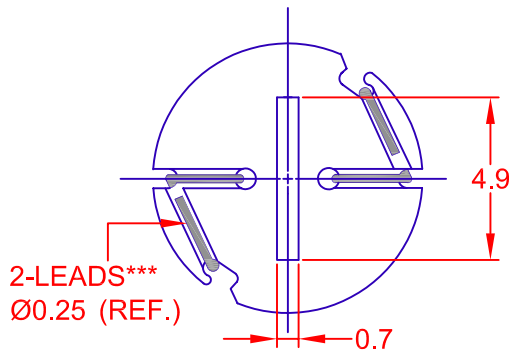
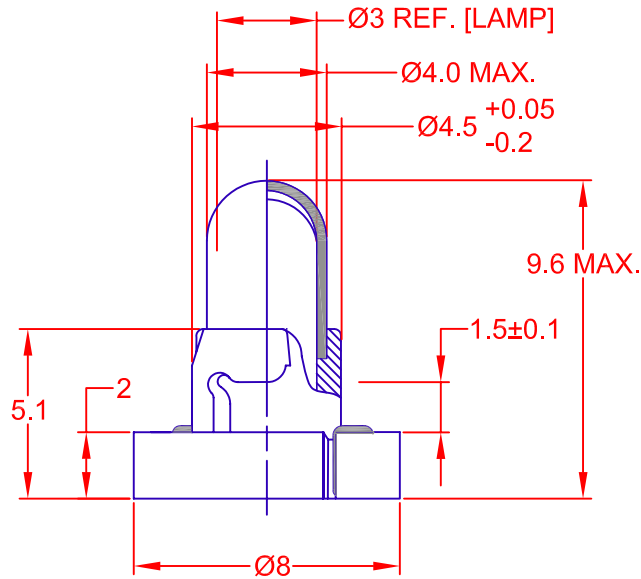


REV.	DESCRIPTION/ECO NO.	DATE
	RELEASED	12/14/05
A	CHANGE x AND y's	3/21/06
B	MOL TO 9.6, ADD FLUX NOTE	4/10/06



PC BOARD PUNCH PATTERN
BOARD THICKNESS 1.6±0.1mm.
(NO APPLICATION OF FLUX, SHALL BE DONE.)



JKL PART NUMBER: CNW5-CW11/GRA/39-01-6M/S

LAMP NUMBER: CW11**					
VOLTS RATED	AMPS ± 10%	*MSCP ± 25%	*LUMENS ± 25%	AVERAGE LIFE HRS.	FILAMENT TYPE
14.0	.065	.200	2.51	5,000 D.C.	C-2F

*LAMP RATING ONLY WITHOUT BASE AND FILTER.

**LAMP GLASS LEAD (Pb) FREE.

***PLATING LEAD (Pb) FREE.

CONTACT JKL FOR LEAD (Pb) FREE LOT IDENTIFICATION.

FILTER NUMBER: 39-01-6M/S
COLOR COORDINATES (SPHERE)
x = .365 ± .025
y = .345 ± .025

BASE COLOR: GRAY

<p>METRIC THIRD ANGLE PROJECTION</p>	DIMENSIONS ARE IN MILLIMETERS TOLERANCE UNLESS OTHERWISE SPECIFIED 1 PL +/- 0.3 2 PL +/- 0.30 ANGLE +/- 0		<h1>JKL COMPONENTS CORPORATION</h1>			
	TITLE T-1 NEO-WEDGE BASED LAMP WITH FILTER					
DRAWN BY L. WENGSTROM	APP'VD BY LEN	DATE 4/10/06	SIZE A	FSCM NO. 55335	DRAWING NO. CNW5-CW11/GRA/39-01-6M/S	
- CAD DRAWING - MANUAL REVISIONS NOT PERMITTED			SCALE NONE	RELEASED DATE 12/14/05	REVISION DATE 4/10/06	
				REV. NO. B	SHEET 1 OF 1	

X-ON Electronics

Largest Supplier of Electrical and Electronic Components

Click to view similar products for [Panel Mount Indicator Lamps](#) category:

Click to view products by [JKL](#) manufacturer:

Other Similar products are found below :

[DNW1-DW33](#) [DNW21-DW10/BLA](#) [MS18237-1RN](#) [2195QA3-28V](#) [252-9951-0937-801](#) [252-9951-0973-811](#) [2990P6-28V](#) [CNW1-6838](#)
[DNW1-DW4812.5MMBLA BASE](#) [32-2317](#) [1090N5-12V](#) [2120C33](#) [01807.1102-01](#) [01807.1108-01](#) [32-2111T](#) [32R-2112T](#) [32R-2111](#) [32R-2113T](#) [32R-2311](#) [36EN-2312](#) [75R-2212T](#) [75R-2212](#) [R9-92N-02-R](#) [34H-0581](#) [L282000NAC](#) [DNW1-DW07](#) [L282000NAA](#) [1090QCX3-28V](#)
[2195QA1-28V](#) [4702A5](#) [135-3272-003F](#) [135-3275-003F](#) [249-7866-1433-514](#) [249-7841-1431-574](#) [249-7841-0931-574](#) [249-7841-0933-544](#)
[249-7841-0933-574](#) [249-7841-1435-574](#) [249-7866-0931-514](#) [249-7841-0331-544](#) [249-7841-0937-574](#) [249-7841-1433-544](#) [249-7841-1436-574](#) [249-7841-1437-574](#) [249-7866-0331-514](#) [249-7866-0937-514](#) [249-7841-1437-544](#) [249-7841-1433-574](#) [24978661435514](#) [252-9951-0937](#)