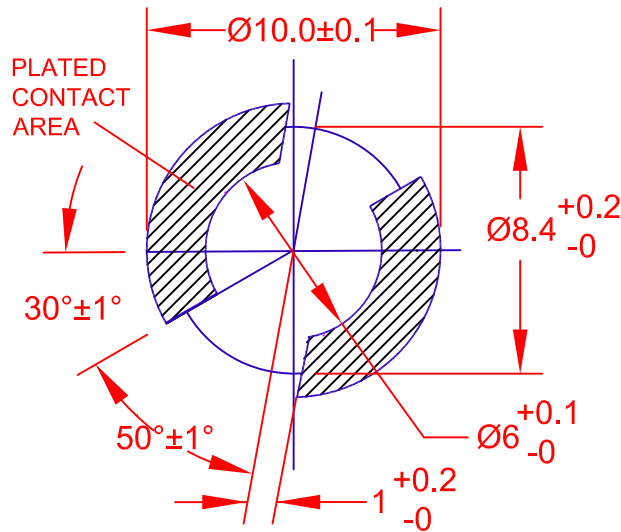
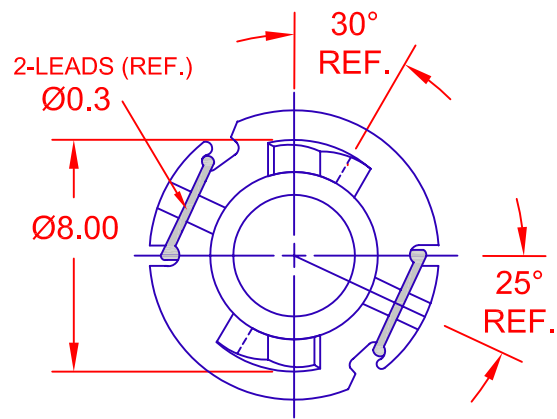
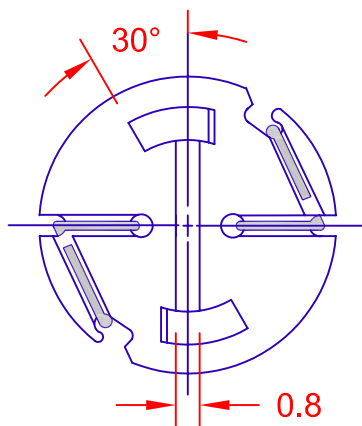
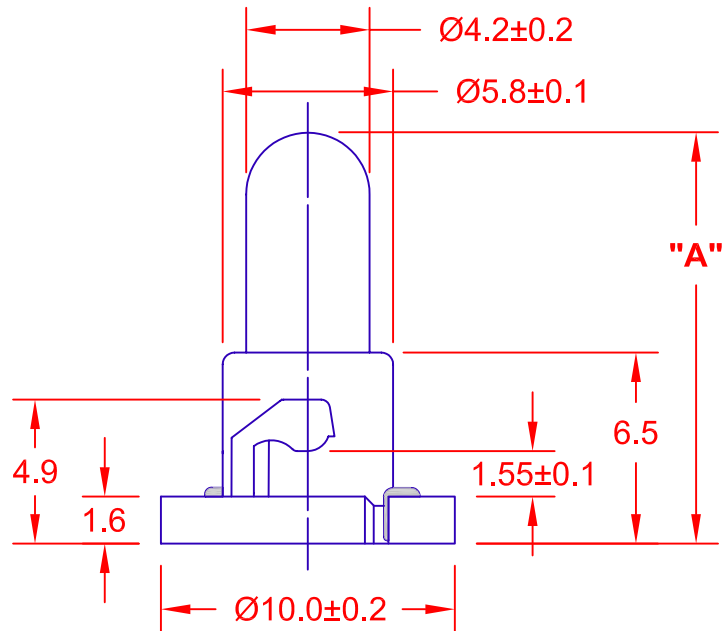


REV.	DESCRIPTION/ECO NO.	DATE
	RELEASED	9/83
A	10.0 +/- 0.2	9/84
B	1.55 +/- 0.05 to 1.55 +/- 0.1	1/85
C	DRAWING CONVERTED TO CAD	01/01/00
	ADD DNW1-DW48 & DNW1-DW21	
D	DNW1-DW48 Pb FREE ADDED	3/17/05
E	DELETE PARTS DNW1-515, DW44	7/22/05



PC BOARD PUNCH PATTERN
(NO TREATMENT, SUCH AS APPLICATION OF FLUX, SHALL BE DONE.)



MOL "A"	JKL LAMP NUMBER	VOLTS RATED	AMPS ±10%	*MSCP ±25%	*LUMENS ±25%	AVERAGE LIFE HRS.	FILAMENT TYPE
14.0 MAX.	DNW1-DW27	5.0	.040	.028	0.35	20,000	C-2R
	DNW1-583	5.0	.060	.050	0.63	100,000	C-2R
	DNW1-634	6.0	.200	.630	7.92	1,000	C-2R
	DNW1-DW50	8.0	.050	.095	1.19	10,000	C-2V
16.0 MAX.	DNW1-DW26	10.0	.040	.080	1.01	30,000	C-2F
	DNW1-DW46	12.0	.060	.160	2.01	10,000	C-2V
16.0 MAX.	DNW1-DW48**	14.0	.040	.150	1.89	10,000	C-2V
14.0 MAX.	DNW1-DW21	14.0	.060	.200	2.51	10,000	C-2V
	DNW1-DW07	14.0	.080	.300	3.77	15,000	C-2V
	DNW1-DW10	14.0	.100	.500	6.29	10,000	C-2F
	DNW1-DW40	18.0	.040	.150	1.89	10,000	C-2F
	DNW1-8627	28.0	.040	.340	4.27	2,800	C-2F

* LAMP RATED ONLY WITHOUT BASE.

** LAMP AND BASE ASSEMBLY LEAD (Pb) FREE.

CONTACT JKL FOR LEAD (Pb) FREE LOT IDENTIFICATION.

 METRIC DIMENSIONS ARE IN MILLIMETERS TOLERANCE UNLESS OTHERWISE SPECIFIED 1 PL +/- 0.2 2 PL +/- 0.20 ANGLE +/- 0	JKL COMPONENTS CORPORATION				
	TITLE T-1 1/4 NEO-WEDGE BASE WITH MULTIPLE LAMP LISTING				
DRAWN BY L. WENGSTROM	APP'VD BY J.K.	DATE 7/22/05	SIZE A	FSCM NO. 55335	DRAWING NO. DNW1-MULTI
- CAD DRAWING - MANUAL REVISIONS NOT PERMITTED		SCALE NONE	RELEASED DATE 9/83	REVISION DATE 7/22/05	REV. NO. E
					SHEET 1 OF 1

X-ON Electronics

Largest Supplier of Electrical and Electronic Components

Click to view similar products for [Panel Mount Indicator Lamps](#) category:

Click to view products by [JKL](#) manufacturer:

Other Similar products are found below :

[DNW1-DW33](#) [DNW21-DW10/BLA](#) [MS18237-1RN](#) [2195QA3-28V](#) [252-9951-0937-801](#) [252-9951-0973-811](#) [2990P6-28V](#) [CNW1-6838](#)
[DNW1-DW4812.5MMBLA BASE](#) [32-2317](#) [1090N5-12V](#) [2120C33](#) [32-2111T](#) [32R-2112T](#) [32R-2111](#) [32R-2113T](#) [32R-2311](#) [36EN-2312](#)
[75R-2212T](#) [75R-2212](#) [R9-92N-02-R](#) [34H-0581](#) [L282000NAC](#) [DNW1-DW07](#) [L282000NAA](#) [1090QCX3-28V](#) [2195QA1-28V](#) [4702A5](#) [135-](#)
[3272-003F](#) [135-3275-003F](#) [249-7866-1433-514](#) [249-7841-1431-574](#) [249-7841-0931-574](#) [249-7841-0933-544](#) [249-7841-0933-574](#) [249-7841-](#)
[1435-574](#) [249-7866-0931-514](#) [249-7841-0331-544](#) [249-7841-0937-574](#) [249-7841-1433-544](#) [249-7841-1436-574](#) [249-7841-1437-574](#) [249-](#)
[7866-0331-514](#) [249-7866-0937-514](#) [249-7841-1437-544](#) [249-7841-1433-574](#) [24978661435514](#) [252-9951-0937](#) [252-9951-0971](#) [252-9951-](#)
[0973](#)