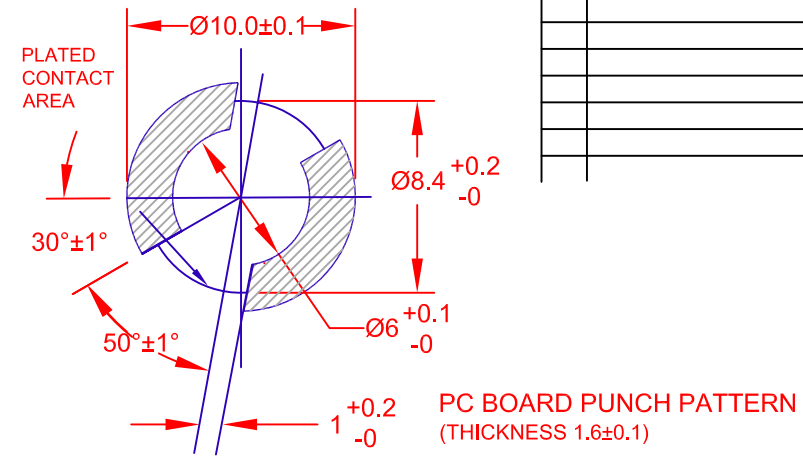
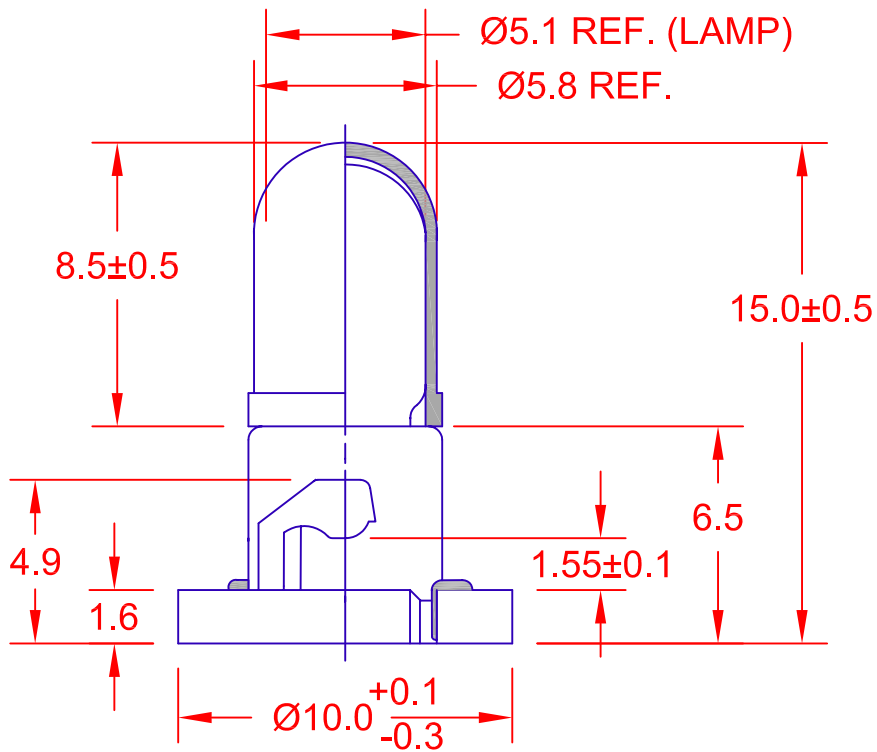


REV.	DESCRIPTION/ECO NO.	DATE
	ENGINEERING TO CAD	3/7/05



JKL PART NUMBER: DNW1-EW87/GRA/39-08-6C***

JKL LAMP NUMBER	VOLTS RATED	AMPS ± 10%	MSCP ± 25%	LUMENS ± 25%	AVERAGE LIFE HRS.	FILAMENT TYPE
EW87**	14.0	.140	.95*	12.0*	7,000	C-2V

* LAMP RATING ONLY WITHOUT BASE AND FILTER.
 ** LAMP GLASS LEAD (Pb) FREE.
 *** LAMP AND BASE ASSEMBLY LEAD (Pb) FREE.

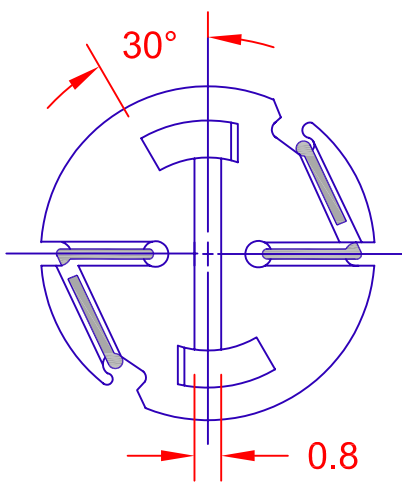
CONTACT JKL FOR LEAD (Pb) FREE LOT IDENTIFICATION.

COMPLETE ASSEMBLY WITH FILTER

JKL FILTER NUMBER	APPLICATION VOLTS	x ±.02	y ±.02
39-08-6C	13.8	.2664	.3627

COLOR COORDINATES MEASURED IN SPHERE

BASE COLOR: GRAY



METRIC THIRD ANGLE PROJECTION	DIMENSIONS ARE IN MILLIMETERS TOLERANCE UNLESS OTHERWISE SPECIFIED 1 PL +/- 0.3 2 PL +/- 0.30 ANGLE +/- 0		JKL COMPONENTS CORPORATION			
			TITLE T-1 1/4 NEO-WEDGE SOCKET WITH T-1 1/2 LAMP AND 39-08 FILTER			
DRAWN BY L. WENGSTROM	APPV'D BY J.K.	DATE 3/7/05	SIZE A	FSCM NO. 55335	DRAWING NO. DNW1-EW87/GRA/39-08-6C	
- CAD DRAWING - MANUAL REVISIONS NOT PERMITTED			SCALE NONE	RELEASED DATE 3/7/05	REVISION DATE	
				REV. NO.	SHEET 1 OF 1	

X-ON Electronics

Largest Supplier of Electrical and Electronic Components

Click to view similar products for [Panel Mount Indicator Lamps](#) category:

Click to view products by [JKL](#) manufacturer:

Other Similar products are found below :

[DNW1-DW33](#) [DNW21-DW10/BLA](#) [MS18237-1RN](#) [2195QA3-28V](#) [252-9951-0937-801](#) [252-9951-0973-811](#) [2990P6-28V](#) [CNW1-6838](#)
[DNW1-DW4812.5MMBLA BASE](#) [32-2317](#) [1090N5-12V](#) [2120C33](#) [01807.1102-01](#) [01807.1108-01](#) [32-2111T](#) [32R-2112T](#) [32R-2111](#) [32R-2113T](#) [32R-2311](#) [36EN-2312](#) [75R-2212T](#) [75R-2212](#) [R9-92N-02-R](#) [34H-0581](#) [L282000NAC](#) [DNW1-DW07](#) [L282000NAA](#) [1090QCX3-28V](#)
[2195QA1-28V](#) [4702A5](#) [135-3272-003F](#) [135-3275-003F](#) [249-7866-1433-514](#) [249-7841-1431-574](#) [249-7841-0931-574](#) [249-7841-0933-544](#)
[249-7841-0933-574](#) [249-7841-1435-574](#) [249-7866-0931-514](#) [249-7841-0331-544](#) [249-7841-0937-574](#) [249-7841-1433-544](#) [249-7841-1436-574](#) [249-7841-1437-574](#) [249-7866-0331-514](#) [249-7866-0937-514](#) [249-7841-1437-544](#) [249-7841-1433-574](#) [24978661435514](#) [252-9951-0937](#)