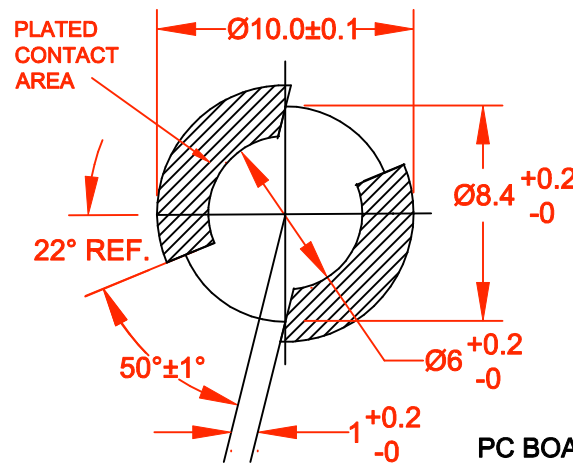
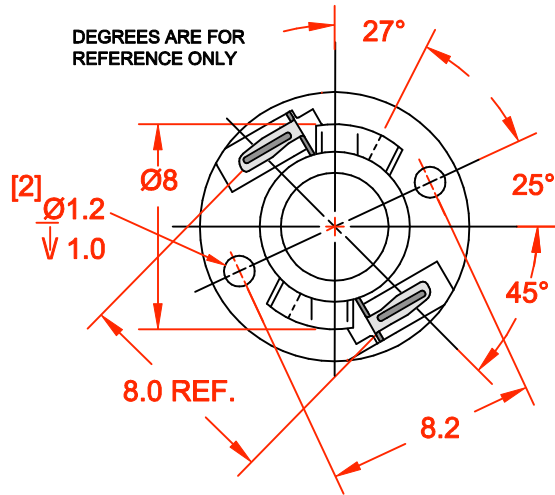
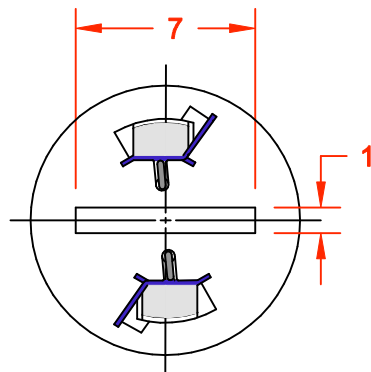
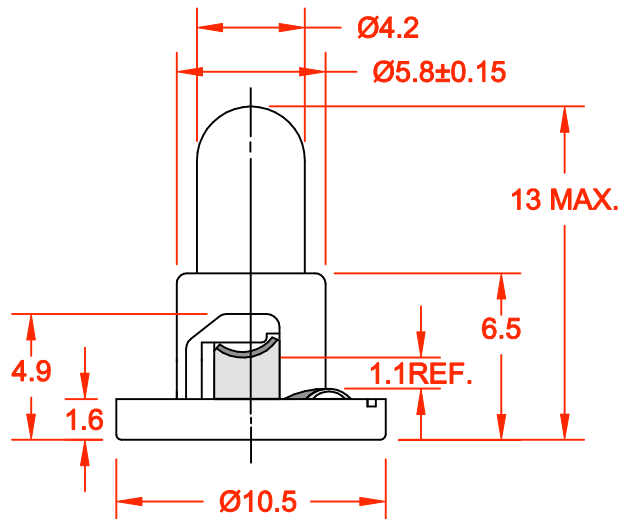


| REV. | DESCRIPTION/ECO NO. | DATE |
|------|--|----------|
| | RELEASED | 10/85 |
| A | CHNG. PART NO. DNW10 TO DQ445 | 10/86 |
| B | CHNG. PART # DQ445 TO 445 | 1/89 |
| C | CORR.DIMS ON P.C.PATTERN | 12/89 |
| D | CHNG. PART # 445 TO DNW21 | 11/90 |
| | ADD LAMP LIST | |
| E | DIM. 1.2 CHNG. TO REF. | 6/95 |
| G | DRAW. CONVERTED TO CAD-DELETE LAMPS DW26, DW45, DW48, DW40 | 1/18/00 |
| H | CONTACT SPACING 1.1 REF. | 10/16/00 |



PC BOARD PUNCH PATTERN
(NO TREATMENT, SUCH AS APPLICATION OF FLUX, SHALL BE DONE.)



| JKL LAMP NUMBER | VOLTS RATED | AMPS ±10% | *MSCP ±25% | *LUMENS ±25% | AVERAGE LIFE HRS. | FILAMENT TYPE |
|-----------------|-------------|-----------|------------|--------------|-------------------|---------------|
| DNW21-583 | 5.0 | .060 | .050 | 0.63 | 100,000 | C-2R |
| DNW21-515 | 5.0 | .115 | .150 | 1.89 | 40,000 | C-2R |
| DNW21-634 | 6.0 | .200 | .630 | 7.92 | 1,000 | C-2R |
| DNW21-DW50 | 8.0 | .050 | .095 | 1.19 | 10,000 | C-2V |
| DNW21-DW44 | 12.0 | .040 | .090 | 1.13 | 10,000 | C-2V |
| DNW21-DW07 | 14.0 | .080 | .300 | 3.77 | 15,000 | C-2F |
| DNW21-DW10 | 14.0 | .100 | .500 | 6.29 | 10,000 | C-2F |
| DNW21-8627 | 28.0 | .040 | .340 | 4.27 | 4,000 | C-2F |

*LAMP RATING ONLY WITHOUT BASE

| | | | | | |
|---|--|--|---------------------------------------|---|--|
| <p>METRIC THIRD ANGLE PROJECTION</p> | <p>DIMENSIONS ARE IN MILLIMETERS TOLERANCE UNLESS OTHERWISE SPECIFIED 1 PL +/- 0.2 2 PL +/- 0.20 ANGLE +/- 0</p> | <p>JKL COMPONENTS CORPORATION</p> | | | |
| | | <p>TITLE T-1 1/4 DOUBLE CONTACT NEO-WEDGE BASE WITH MULTIPLE LAMP LISTING</p> | | | |
| <p>DRAWN BY L. WENGSTROM</p> | <p>APPVD BY DATE JK 10/16/00</p> | <p>SIZE A</p> | <p>FSCM NO. 55335</p> | <p>DRAWING NO. DNW21-MULTI</p> | |
| <p>- CAD DRAWING - MANUAL REVISIONS NOT PERMITTED</p> | | <p>SCALE NONE</p> | <p>RELEASED DATE 10/85</p> | <p>REVISION DATE 10/16/00</p> | <p>REV. NO. H SHEET 1 OF 1</p> |

X-ON Electronics

Largest Supplier of Electrical and Electronic Components

Click to view similar products for [Panel Mount Indicator Lamps](#) category:

Click to view products by [JKL](#) manufacturer:

Other Similar products are found below :

[DNW1-DW33](#) [DNW21-DW10/BLA](#) [MS18237-1RN](#) [2195QA3-28V](#) [252-9951-0937-801](#) [252-9951-0973-811](#) [2990P6-28V](#) [CNW1-6838](#)
[DNW1-DW4812.5MMBLA BASE](#) [32-2317](#) [1090N5-12V](#) [2120C33](#) [32-2111T](#) [32R-2112T](#) [32R-2111](#) [32R-2113T](#) [32R-2311](#) [36EN-2312](#)
[75R-2212T](#) [75R-2212](#) [R9-92N-02-R](#) [34H-0581](#) [L282000NAC](#) [DNW1-DW07](#) [L282000NAA](#) [1090QCX3-28V](#) [2195QA1-28V](#) [4702A5](#) [135-](#)
[3272-003F](#) [135-3275-003F](#) [249-7866-1433-514](#) [249-7841-1431-574](#) [249-7841-0931-574](#) [249-7841-0933-544](#) [249-7841-0933-574](#) [249-7841-](#)
[1435-574](#) [249-7866-0931-514](#) [249-7841-0331-544](#) [249-7841-0937-574](#) [249-7841-1433-544](#) [249-7841-1436-574](#) [249-7841-1437-574](#) [249-](#)
[7866-0331-514](#) [249-7866-0937-514](#) [249-7841-1437-544](#) [249-7841-1433-574](#) [24978661435514](#) [252-9951-0937](#) [252-9951-0971](#) [252-9951-](#)
[0973](#)