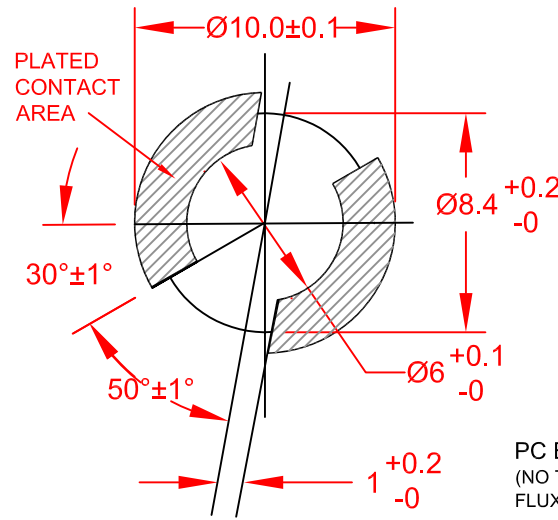
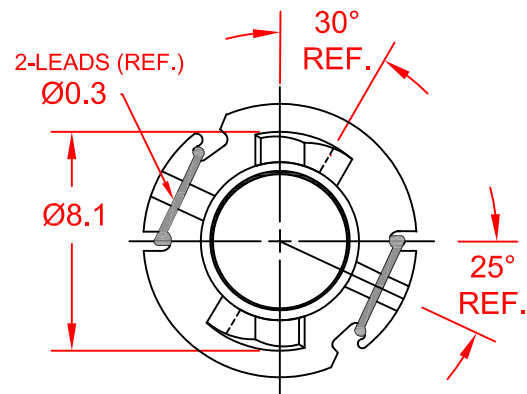


REV.	DESCRIPTION/ECO NO.	DATE
REL.	RELEASED TO CAD, DELETE EW88, EW84, EW08, EW46, EW61	1/1/00
A	ADD LAMPS EW33, EW37, EW89	2/29/00
B	REVISE REV'S # SYSTEM & CHNG. DIM LINE POSITION	11/19/01
C	CHANGE TO LEAD (Pb) FREE/EW10	2/24/05



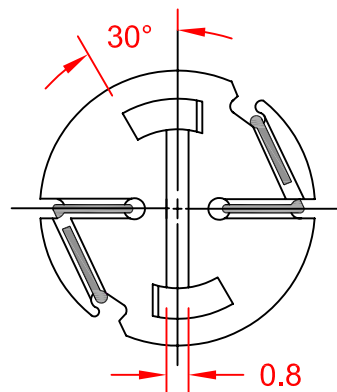
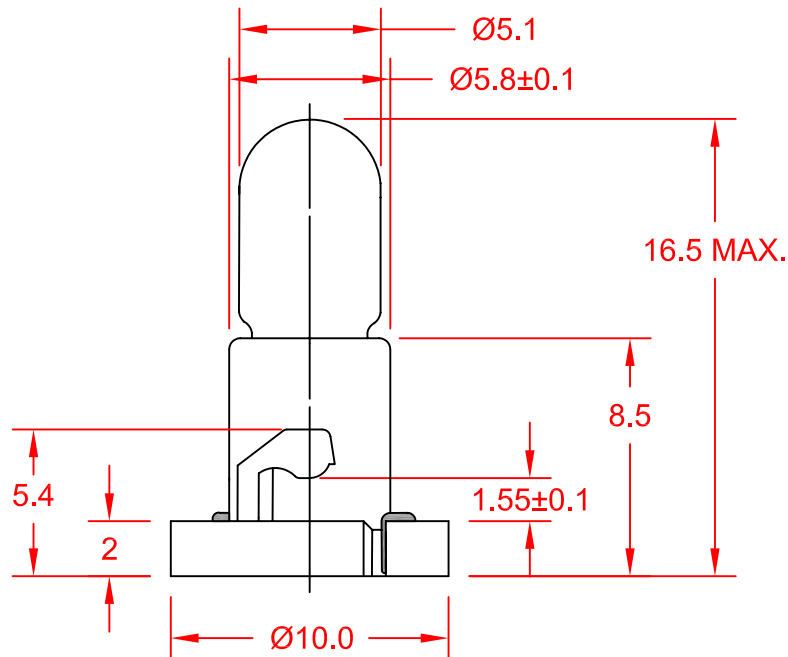
PC BOARD PUNCH PATTERN
(NO TREATMENT SUCH AS APPLICATION OF FLUX, SHALL BE DONE.)

JKL LAMP NUMBER	VOLTS RATED	AMPS ±10%	*MSCP ±25%	*LUMENS ±25%	AVERAGE LIFE HRS.	FILAMENT TYPE
ENW2-EW27	5.0	.040	.028	0.35	10,000	C-2R
ENW2-EW50	8.0	.050	.095	1.19	10,000	C-2V
ENW2-EW26	10.0	.040	.080	1.01	10,000	C-2F
ENW2-EW44	12.0	.040	.090	1.13	10,000	C-2V
ENW2-EW48	14.0	.040	.150	1.89	16,000	C-2V
ENW2-EW07	14.0	.080	.300	3.77	15,000	C-2V
ENW2-EW10**	14.0	.100	.500	6.29	10,000	C-2F
ENW2-EW33	14.0	.125	.700	9.00	10,000	C-2F
ENW2-EW37	14.0	.125	.700	9.00	10,000	C-2V
ENW2-EW89	14.0	.140	.880	11.00	14,000	C-2F
ENW2-EW40	18.0	.040	.150	1.89	10,000	C-2F

* LAMP RATED ONLY WITHOUT BASE.

** LAMP GLASS AND BASE ASSEMBLY LEAD (Pb) FREE.

CONTACT JKL FOR LEAD (Pb) FREE LOT IDENTIFICATION.



<p>METRIC THIRD ANGLE PROJECTION</p>	<p>DIMENSIONS ARE IN MILLIMETERS</p> <p>TOLERANCE UNLESS OTHERWISE SPECIFIED</p> <p>1 PL +/- 0.2</p> <p>2 PL +/- 0.20</p> <p>ANGLE +/- 0</p>	<h1>JKL COMPONENTS CORPORATION</h1>			
	<p>TITLE T-1 1/2 NEO-WEDGE BASE WITH MULTIPLE LAMP LISTING</p>				
<p>DRAWN BY L. WENGSTROM</p>	<p>APP'VD BY J.K.</p>	<p>DATE 2/24/05</p>	<p>SIZE A</p>	<p>FSCM NO. 55335</p>	<p>DRAWING NO. ENW2-MULTI</p>
<p>- CAD DRAWING - MANUAL REVISIONS NOT PERMITTED</p>			<p>SCALE NONE</p>	<p>RELEASED DATE 1/1/00</p>	<p>REVISION DATE 2/24/05</p>
				<p>REV. NO. C</p>	<p>SHEET 1 OF 1</p>

X-ON Electronics

Largest Supplier of Electrical and Electronic Components

Click to view similar products for [Panel Mount Indicator Lamps](#) category:

Click to view products by [JKL](#) manufacturer:

Other Similar products are found below :

[DNW1-DW33](#) [DNW21-DW10/BLA](#) [MS18237-1RN](#) [2195QA3-28V](#) [252-9951-0937-801](#) [252-9951-0973-811](#) [2990P6-28V](#) [CNW1-6838](#)
[DNW1-DW4812.5MMBLA BASE](#) [32-2317](#) [1090N5-12V](#) [2120C33](#) [32-2111T](#) [32R-2112T](#) [32R-2111](#) [32R-2113T](#) [32R-2311](#) [36EN-2312](#)
[75R-2212T](#) [75R-2212](#) [R9-92N-02-R](#) [34H-0581](#) [L282000NAC](#) [DNW1-DW07](#) [L282000NAA](#) [1090QCX3-28V](#) [2195QA1-28V](#) [4702A5](#) [135-](#)
[3272-003F](#) [135-3275-003F](#) [249-7866-1433-514](#) [249-7841-1431-574](#) [249-7841-0931-574](#) [249-7841-0933-544](#) [249-7841-0933-574](#) [249-7841-](#)
[1435-574](#) [249-7866-0931-514](#) [249-7841-0331-544](#) [249-7841-0937-574](#) [249-7841-1433-544](#) [249-7841-1436-574](#) [249-7841-1437-574](#) [249-](#)
[7866-0331-514](#) [249-7866-0937-514](#) [249-7841-1437-544](#) [249-7841-1433-574](#) [24978661435514](#) [252-9951-0937](#) [252-9951-0971](#) [252-9951-](#)
[0973](#)