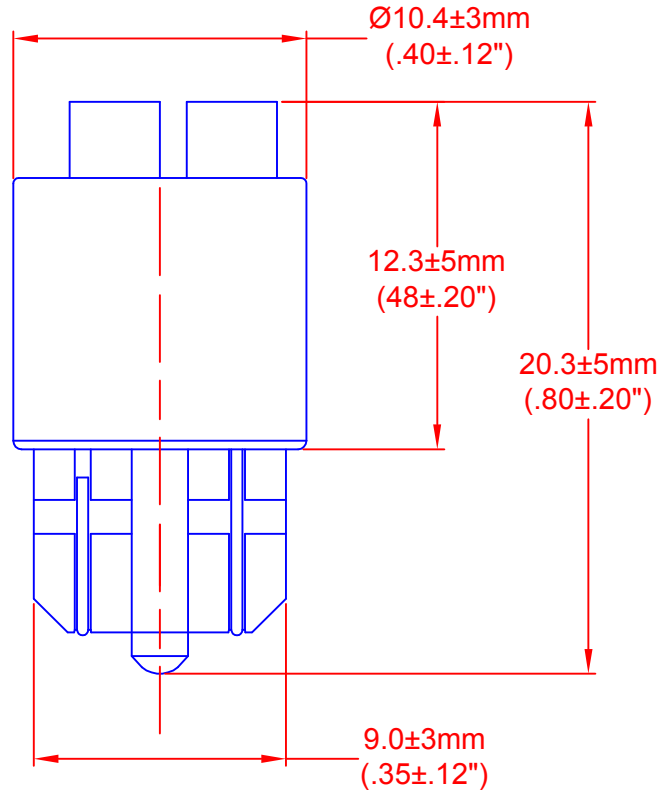
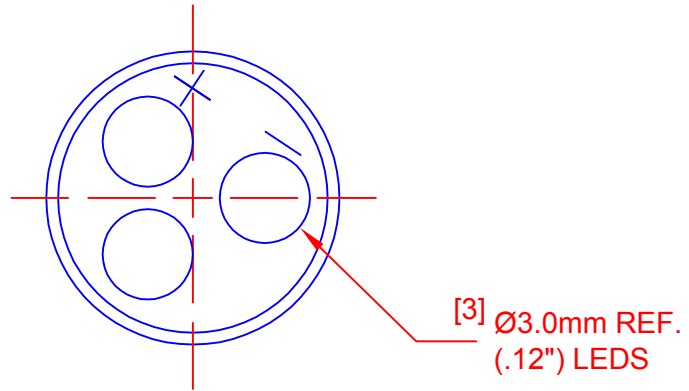


**FEATURES:**

12V AC/DC OPERATION

WIDE VIEWING ANGLE (120°).



**TYPICAL ELECTRICAL & OPTICAL OPERATING CHARACTERISTICS**

(Ta = 25 degree C)

PART NUMBER	EMITTING COLOR	AMPERAGE mA	VOLTAGE Vdc	LUMINOUS INTENSITY Lm	CRI %	CCT DEGREE K	VIEWING ANGLE DEGREES
LE-0903-02W	WHITE	15	12.0	22	79	6800	120

JKL PART NO.: LE-0903-02W

		METRIC THIRD ANGLE PROJECTION		DIMENSIONS ARE IN MILLIMETERS (INCH) TOLERANCE UNLESS OTHERWISE SPECIFIED 1 PL +/- REF. 2 PL +/- REF. ANGLE +/-		<b>JKL COMPONENTS CORPORATION</b>			
				TITLE T-3 1/4 12V NON-POLARIZED LOW PROFILE WEDGE BASE LAMP					
B CHNG. TITLE AND FEATURES 2/2/15 A CHNG. TITLE AND ADD NOTE 4/24/13 RELEASED 12/1/09		DRAWN BY L. WENGSTROM APPV'D BY L.R. DATE 2/2/15		SIZE <b>A</b>	FSCM NO. <b>55335</b>	DRAWING NO. LE-0903-02W			
REV. NO. DESCRIPTION/ECO APPV'D DATE		- CAD DRAWING - MANUAL REVISIONS NOT PERMITTED		SCALE <b>NONE</b>	RELEASED DATE 12/1/09	REVISION DATE 2/2/15	REV. NO. <b>B</b>	SHEET 1 OF 1	

## X-ON Electronics

Largest Supplier of Electrical and Electronic Components

*Click to view similar products for [LED Replacement Lamps - Based LEDs](#) category:*

*Click to view products by [JKL](#) manufacturer:*

Other Similar products are found below :

[LAPD-1A](#) [LAPD-1R](#) [LAPD-2R](#) [LAPD-6W](#) [LSTD-M4S](#) [SSP-1156B153S12](#) [SSP-1157B156U12](#) [SSP-LXS110818BA](#) [560-0101F](#) [560-0103F](#)  
[LAPD-1W](#) [LAPD-6R](#) [560-0104F](#) [585-1113](#) [SSP-LXC1283S24](#) [SSP-3MB96U12G](#) [SLL-05EY](#) [1.90.690.684/0000](#) [560-0203F](#) [586-2206-](#)  
[205F](#) [SSP-LXS1826U16A](#) [LATD-2JW](#) [24LS4-G1](#) [24LS4-R1](#) [MF200-NFW5H](#) [MB403-W60-CW-BP](#) [387LP-A](#) [1819LS2-G-CG](#) [387LP-R](#)  
[387LP-B](#) [387LP-W](#) [387LP-G](#) [6S6LS155-CWR](#) [130MBLS-G-CG](#) [5000404LAMP](#) [E10SB12A](#) [E10SB130A](#) [E10SB24A](#) [E10SG12A](#)  
[E10SG130A](#) [E10SG24A](#) [E10SR12A](#) [E10SR130A](#) [E10SR24A](#) [E10SW12A](#) [E10SY12A](#) [E10SY130A](#) [585-1425F](#) [521-9208F](#) [586-0012-806F](#)