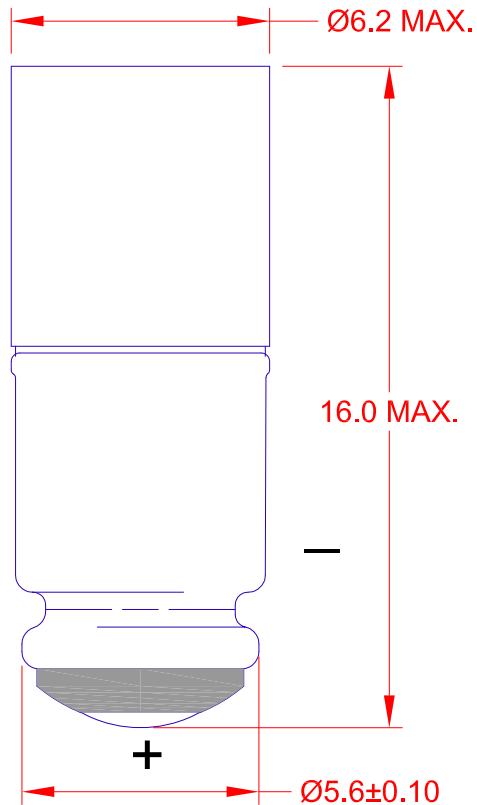


T-1 3/4 MIDGET GROOVE BASE LED



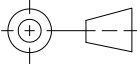
JKL PART NUMBER	EMITTING COLOR	AMPERAGE mA	VOLTAGE Vdc	LUMENS	VIEWING ANGLE
LE-MG-12W	WHITE	12.0	12	3.0	40°
LE-MG-24W	WHITE	14.0	24	3.5	40°

OPERATING TEMPERATURE RANGE -30°C TO +85°C

STORAGE TEMPERATURE RANGE -40°C TO +100° C

NOTES:

- LED includes integrated diode for reverse voltage protection.
- LED includes integrated resistor for current limiting.

		METRIC  THIRD ANGLE PROJECTION		DIMENSIONS ARE IN MILLIMETERS TOLERANCE UNLESS OTHERWISE SPECIFIED 1 PL +/- 0.2 2 PL +/- 0.20 ANGLE +/- 0		JKL COMPONENTS CORPORATION					
				TITLE T-1 3/4 MIDGET GROOVE BASE LED		SIZE A		FSCM NO. 55335		DRAWING NO. LE-MG MULTI	
DRAWN BY L. WENGSTROM		APPVD BY L.R.		DATE 6/13/12		SCALE NONE		RELEASED DATE 6/13/12		REVISION DATE	
REV. NO.		DESCRIPTION/ECO NUMBER		APPVD DATE		- CAD DRAWING - MANUAL REVISIONS NOT PERMITTED		REV. NO.		SHEET 1 OF 1	
RELEASED		6/13/12									

X-ON Electronics

Largest Supplier of Electrical and Electronic Components

Click to view similar products for [LED Replacement Lamps - Based LEDs](#) category:

Click to view products by [JKL](#) manufacturer:

Other Similar products are found below :

[LAPD-1A](#) [LAPD-1R](#) [LAPD-2R](#) [LAPD-6W](#) [LSTD-M4S](#) [SSP-1156B153S12](#) [SSP-1157B156U12](#) [SSP-LXS110818BA](#) [560-0101F](#) [560-0103F](#)
[LAPD-1W](#) [LAPD-6R](#) [560-0104F](#) [585-1113](#) [SSP-LXC1283S24](#) [SSP-3MB96U12G](#) [SLL-05EY](#) [1.90.690.684/0000](#) [560-0203F](#) [586-2206-](#)
[205F](#) [SSP-LXS1826U16A](#) [LATD-2JW](#) [24LS4-G1](#) [24LS4-R1](#) [MF200-NFW5H](#) [MB403-W60-CW-BP](#) [387LP-A](#) [1819LS2-G-CG](#) [387LP-R](#)
[387LP-B](#) [387LP-W](#) [387LP-G](#) [6S6LS155-CWR](#) [130MBLS-G-CG](#) [5000404LAMP](#) [E10SB12A](#) [E10SB130A](#) [E10SB24A](#) [E10SG12A](#)
[E10SG130A](#) [E10SG24A](#) [E10SR12A](#) [E10SR130A](#) [E10SR24A](#) [E10SW12A](#) [E10SY12A](#) [E10SY130A](#) [585-1425F](#) [521-9208F](#) [586-0012-806F](#)