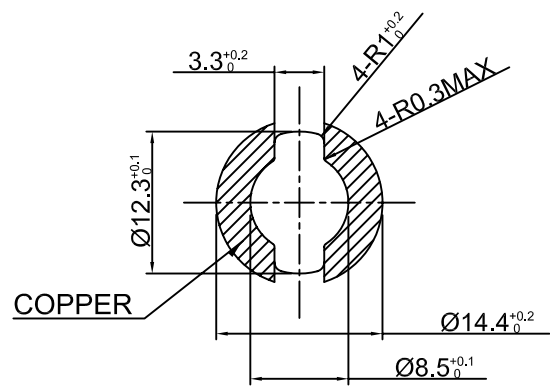
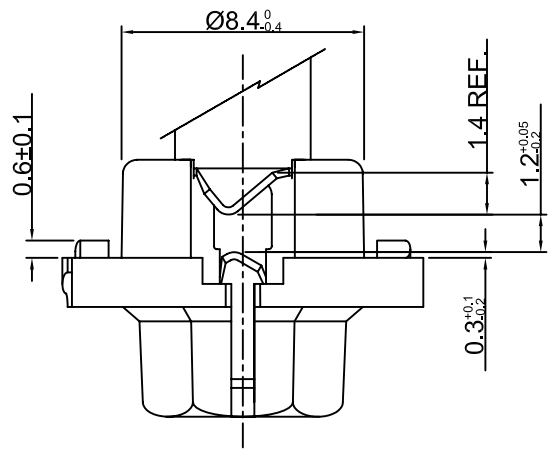
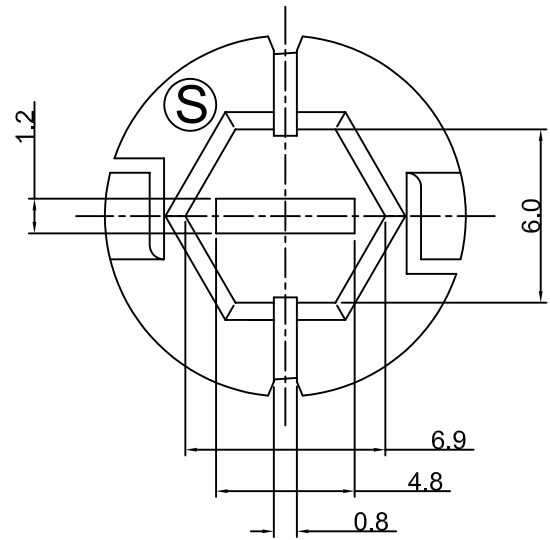
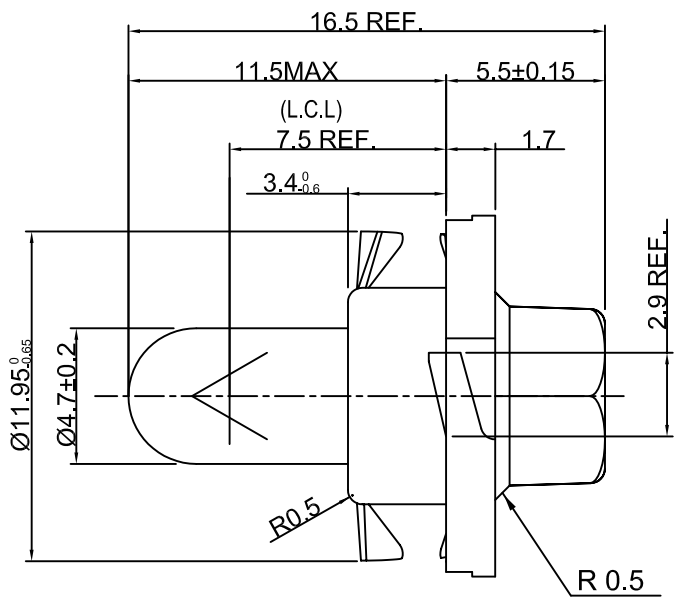
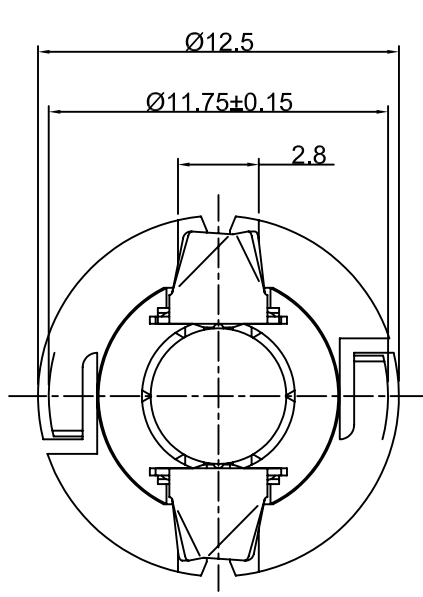


REV.	DESCRIPTION/ECO NO.	DATE
	RELEASED & CANCEL P-0011-01	4/16/01
A	DIMENSION CHANGES	4/27/01
B	DIMENSION CHANGES	4/26/02
C	CHANGE TO LEAD (Pb) FREE	12/10/04



HOLE DIMENSION OF THIS LAMP  
PRINT CIRCUIT BOARD  
(THICKNESS 1.6 +0.1/-0.1)

\*LAMP RATING ONLY WITHOUT BASE  
\*\*LAMP GLASS LEAD (Pb) FREE  
\*\*\*LAMP AND SOCKET ASSEMBLY LEAD (Pb) FREE

CONTACT JKL FOR LEAD (Pb) FREE LOT IDENTIFICATION

LAMP NUMBER: EW87**						
VOLTS RATED	AMPS ± 10%	WATTS	*MSCP ± 25%	*LUMENS ± 25%	AVERAGE LIFE HRS.	FILAMENT TYPE
14.0	.140	1.96	.95	12.0	7,000 DC	C-2V

BASE COLOR: BLACK

JKL PART NO.: WWT2-EW87/BLA\*\*\*

METRIC		DIMENSIONS ARE IN MILLIMETERS		JKL COMPONENTS CORPORATION		
 THIRD ANGLE PROJECTION		TOLERANCE UNLESS OTHERWISE SPECIFIED 1 PL +/- 0.2 2 PL +/- 0.20 ANGLE +/- 0		TITLE WIRE TERMINAL LAMP IN BASE		
DRAWN BY L. WENGSTROM	APPV'D BY J. KAHL	DATE 12/10/04	SIZE A	FSCM NO. 55335	DRAWING NO. WWT2-EW87/BLA	REV. C
- CAD DRAWING - MANUAL REVISIONS NOT PERMITTED			SCALE NONE	RELEASED DATE 4/16/01	REVISION DATE 12/10/04	SHEET 1 OF 1

## X-ON Electronics

Largest Supplier of Electrical and Electronic Components

*Click to view similar products for [Lamps](#) category:*

*Click to view products by [JKL](#) manufacturer:*

Other Similar products are found below :

[5AB](#) [6180](#) [8111](#) [8623](#) [912](#) [120PS](#) [1224](#) [DE603](#) [DW50](#) [IFL-LX2162-16T](#) [C9A](#) [C9A](#) [3015](#) [303](#) [19](#) [PR13](#) [268](#) [GT-NE6H1225T](#)  
[CM5004WW](#) [32-2211T](#) [509K](#) [5314N1](#) [5314N2](#) [WWT1-EW10/GRN](#) [4925H1](#) [DW07](#) [1141](#) [MS25231-313](#) [E73](#) [CM2](#) [7683EBP](#) [8553](#)  
[XE135B](#) [WWT2-EW34BLA](#) [6S6/30V](#) [7367](#) [1301910036](#) [7A1H](#) [8630FBBB](#) [WT3F-20](#) [85](#) [106](#) [105](#) [BGF717-UV1](#) [1974D](#) [1495](#) [373](#) [400](#)  
[502](#) [67](#)