

ALUMILINE LED FIXTURE

Features

- High Brightness
- Long Life
- Low Power Consumption
- RoHS Compliant
- No UV Emission
- Thermally Optimized
- Low Profile
- Moisture Resistant
- Mounting Holes for Ease of Installation



Maximum Ratings

Parameter	Symbol	Rating	Units
LED Junction Temperature	T_J	125	$^{\circ}\text{C}$
Operating Temperature	T_{opr}	-30 ~ +85	$^{\circ}\text{C}$
Storage Temperature	T_{stg}	-40 ~ +85	$^{\circ}\text{C}$

Mating Components

Input Connector Options allows for input to either side of bar allowing flexibility in design.

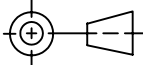
JKL Part Numbers:

ZAF-CH-S: Input Connector

ZAF-CH-S1: Input Connector

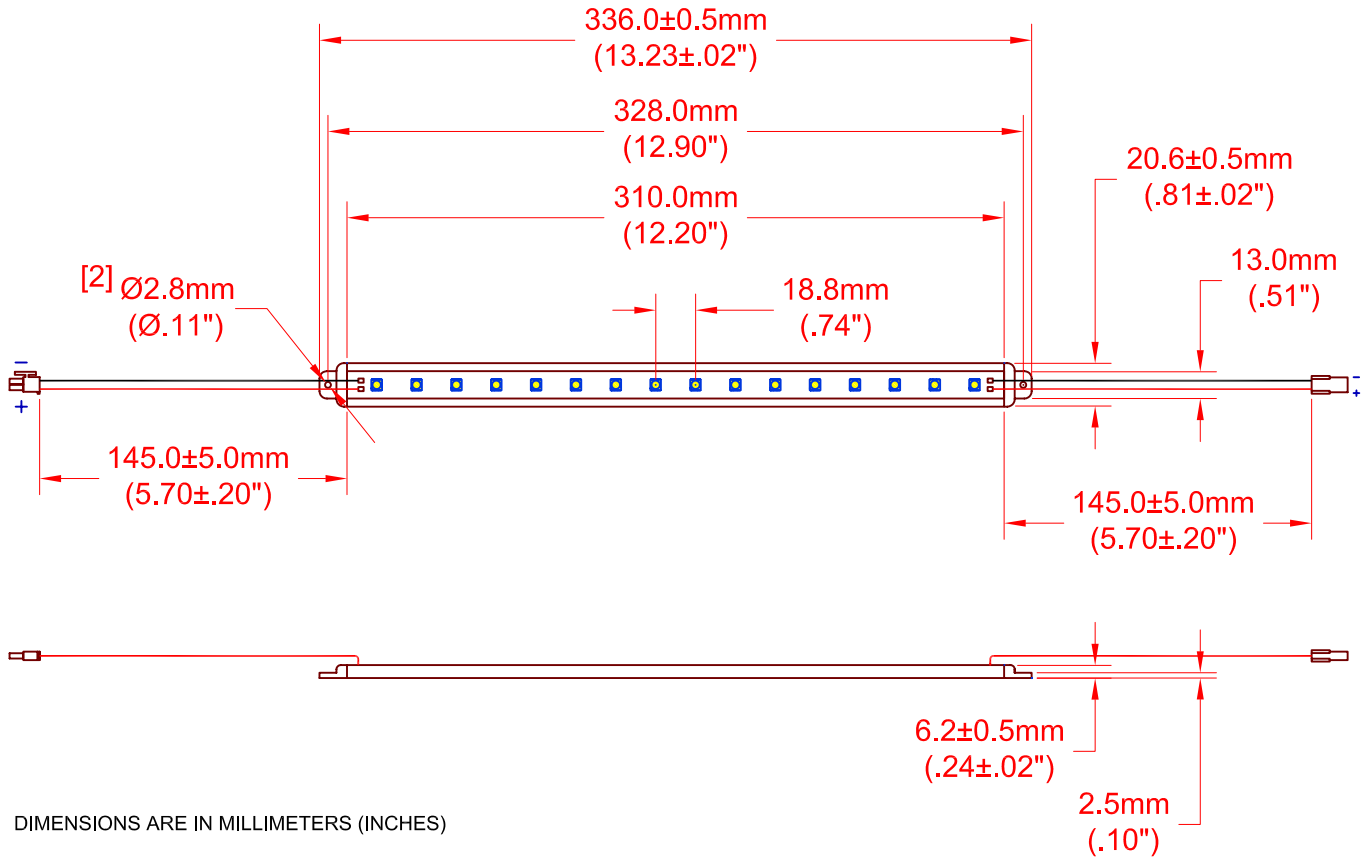
ZAF-CH-J: Jumper Connector

ZPS-20: 24V Power Supply mates with both input connector options

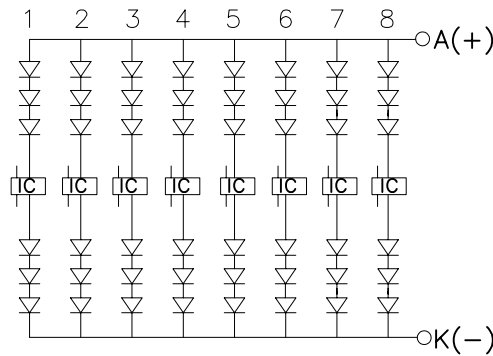
			METRIC  THIRD ANGLE PROJECTION		DIMENSIONS ARE MILLIMETER (INCH) TOLERANCE UNLESS OTHERWISE SPECIFIED 1 PL +/- REF. 2 PL +/- REF. ANGLE +/- REF.		JKL COMPONENTS CORPORATION						
					TITLE ALUMILINE LED FIXTURE								
B	ADD MATING COMPONENTS NOTE	7/16/09	DRAWN BY		APP'VD BY	DATE	SIZE	FSCM NO.	DRAWING NO.		ZAF-MULTI		
A	PG 2 15 V DC TO 24 V DC & PART # CHNG	6/2/09	L. WENGSTROM		S.C.	7/16/09	A	55335					
	RELEASED	5/5/09											
REV. NO.	DESCRIPTION/ECO NUMBER	APP'VD DATE	- CAD DRAWING -			SCALE	NONE	RELEASED DATE	5/6/09	REVISION DATE	7/16/09	REV. NO. B	SHEET 1 OF 6
			MANUAL REVISIONS NOT PERMITTED										

ALUMILINE LED FIXTURE

Dimensions



Circuit Diagram

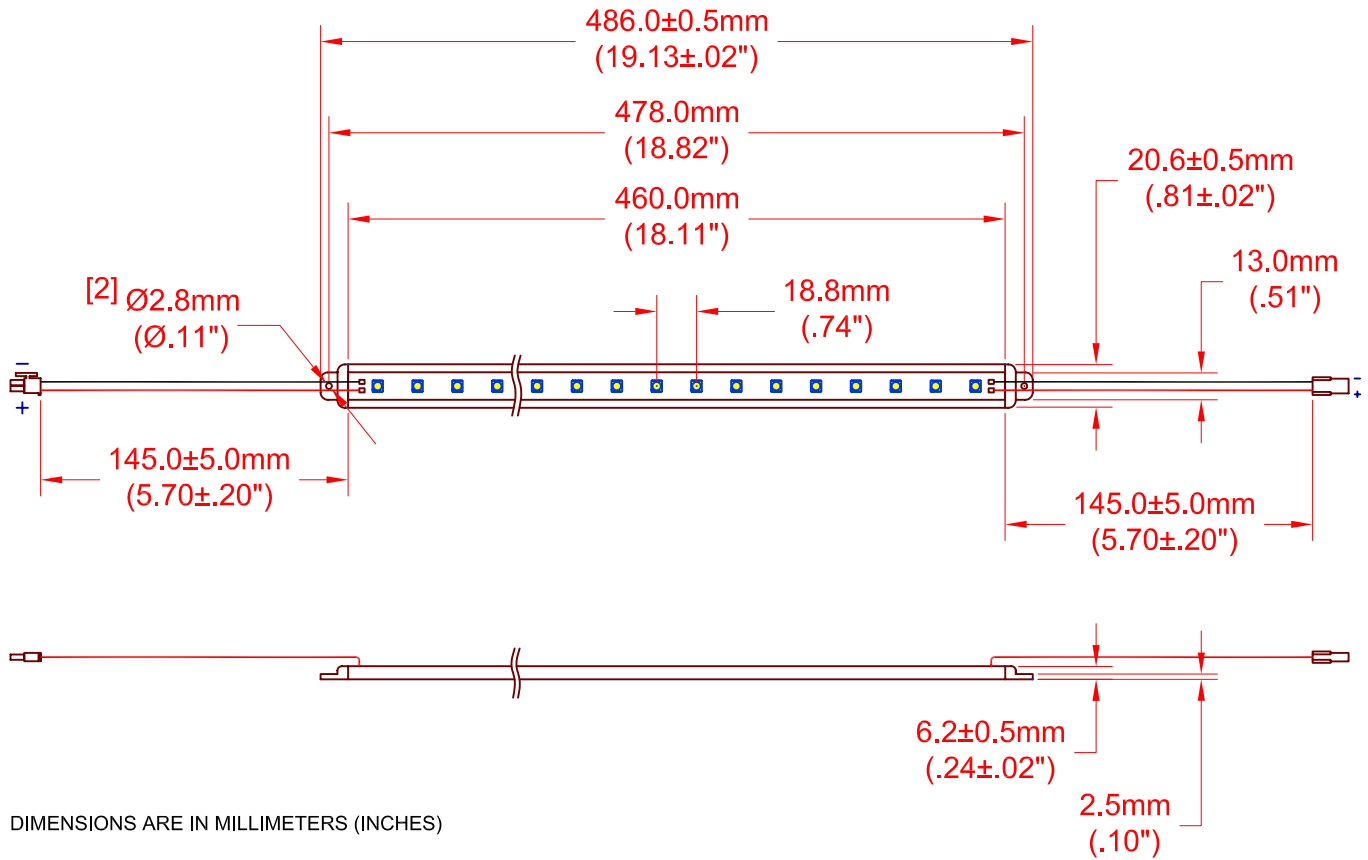


Electro-Optical Characteristics (Ta = 25°C)

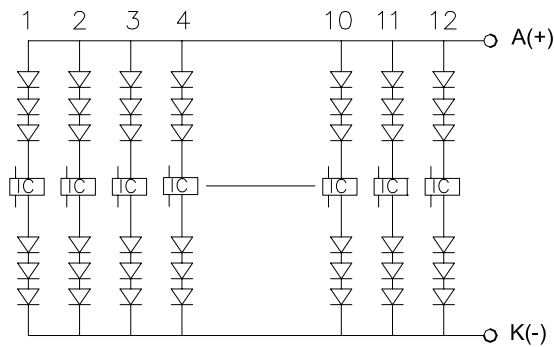
JKL Part Number	Color	Number of LEDs	Input Voltage (V DC)	Power (W)	Current (mA)	Radiance Angle (Deg.)	λd(nm)/ CCT(K)	Lumen Flux (lm)
ZAF-336-24CW	Cool White	16	24	3.84	160	120	6000K	192
ZAF-336-24NW	Neutral White	16	24	3.84	160	120	4100K	163
ZAF-336-24WW	Warm White	16	24	3.84	160	120	3050K	163

ALUMILINE LED FIXTURE

Dimensions



Circuit Diagram

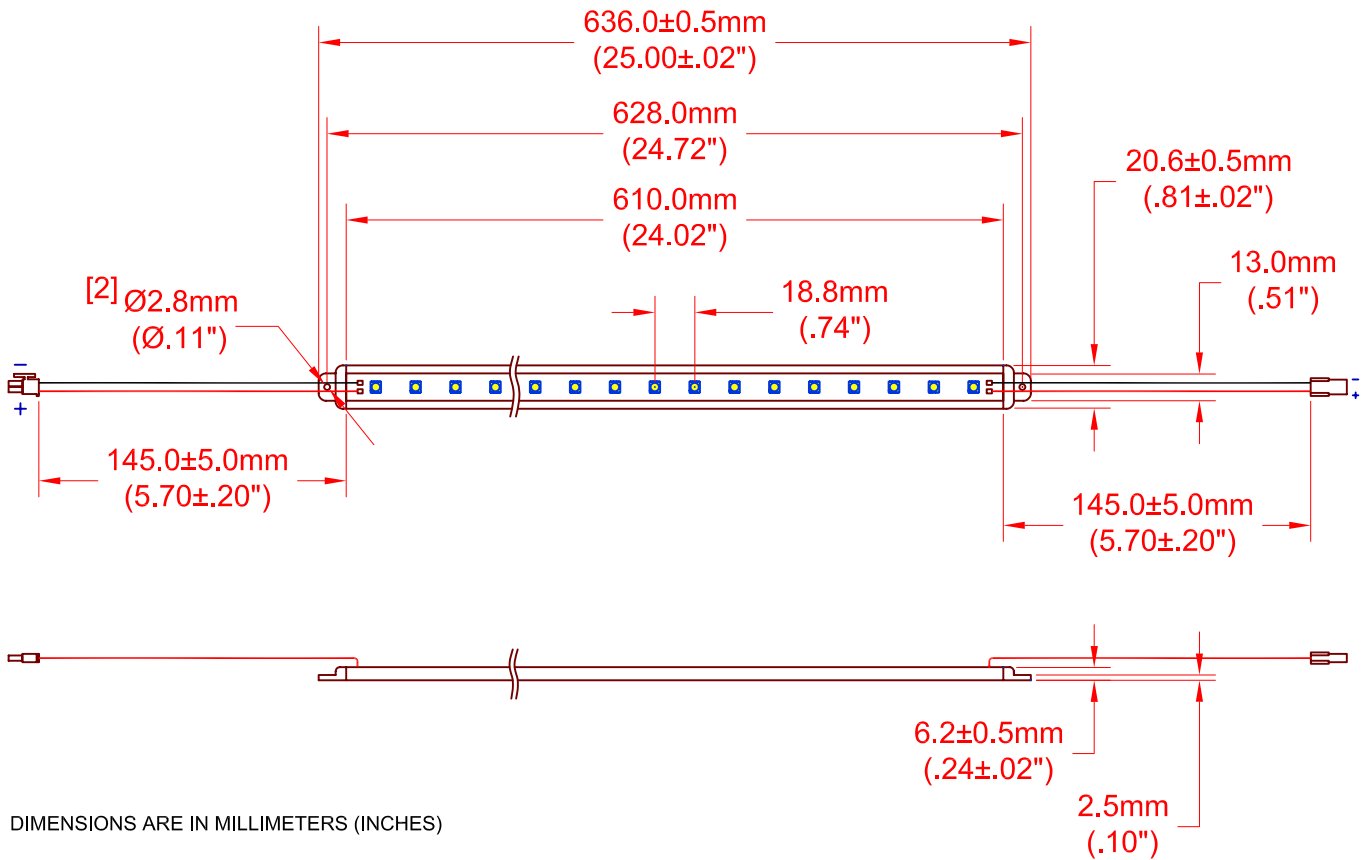


Electro-Optical Characteristics (Ta = 25°C)

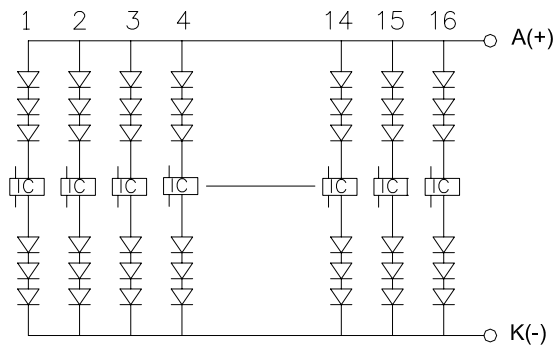
JKL Part Number	Color	Number of LEDs	Input Voltage (V DC)	Power (W)	Current (mA)	Radiance Angle (Deg.)	λd(nm)/ CCT(K)	Lumen Flux (lm)
ZAF-486-24CW	Cool White	24	24	5.76	240	120	6000K	288
ZAF-486-24NW	Neutral White	24	24	5.76	240	120	4100K	245
ZAF-486-24WW	Warm White	24	24	5.76	240	120	3050K	245

ALUMILINE LED FIXTURE

Dimensions



Circuit Diagram

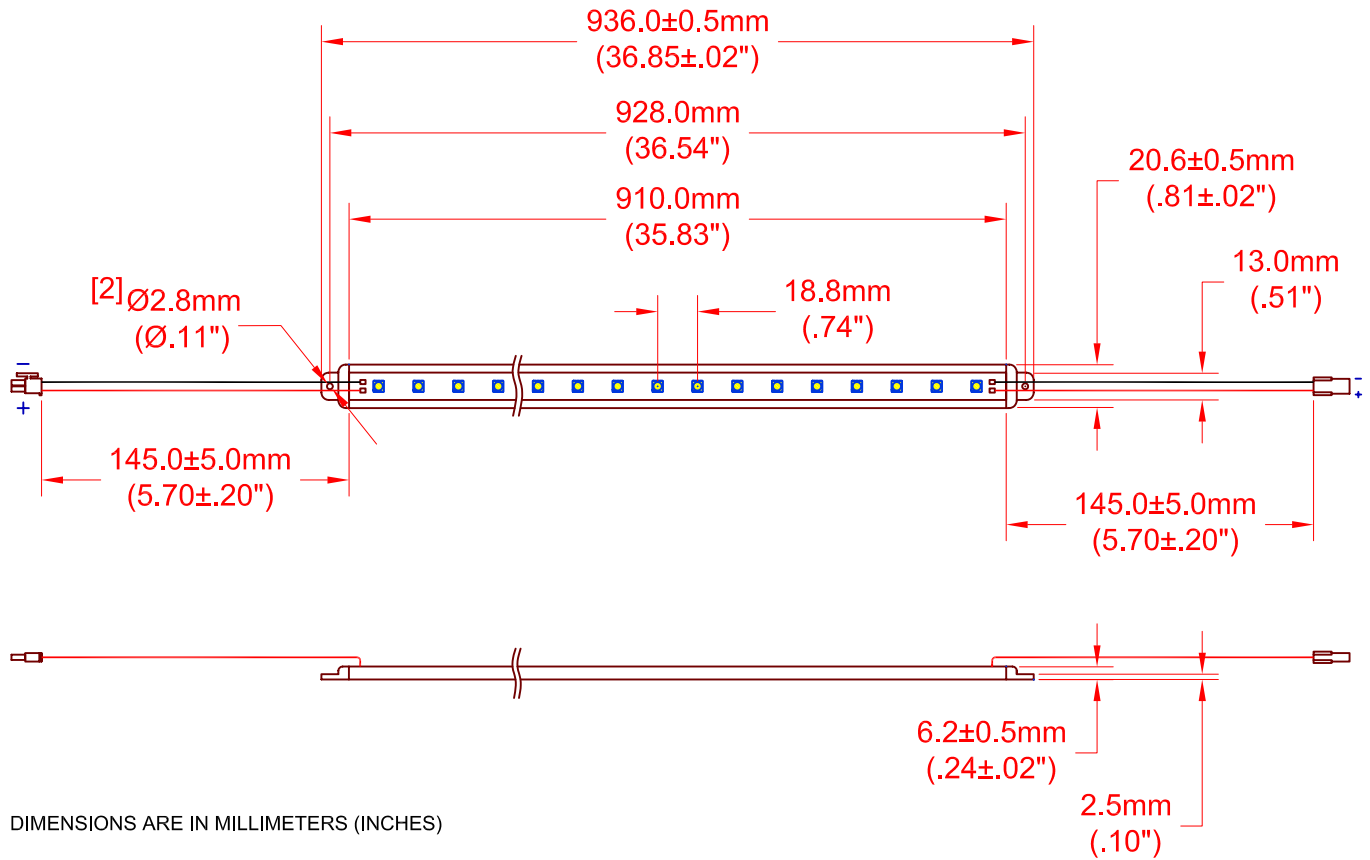


Electro-Optical Characteristics (Ta = 25°C)

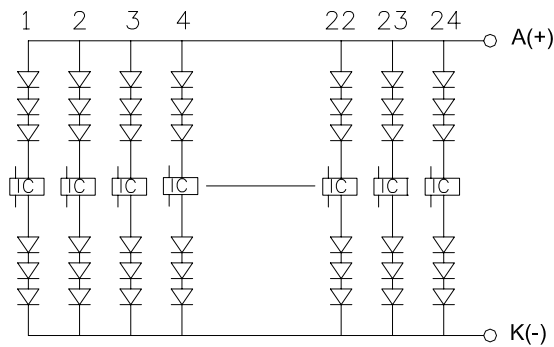
JKL Part Number	Color	Number of LEDs	Input Voltage (V DC)	Power (W)	Current (mA)	Radiance Angle (Deg.)	λd(nm)/ CCT(K)	Lumen Flux (lm)
ZAF-636-24CW	Cool White	32	24	7.68	320	120	6000K	384
ZAF-636-24NW	Neutral White	32	24	7.68	320	120	4100K	326
ZAF-636-24WW	Warm White	32	24	7.68	320	120	3050K	326

ALUMILINE LED FIXTURE

Dimensions



Circuit Diagram

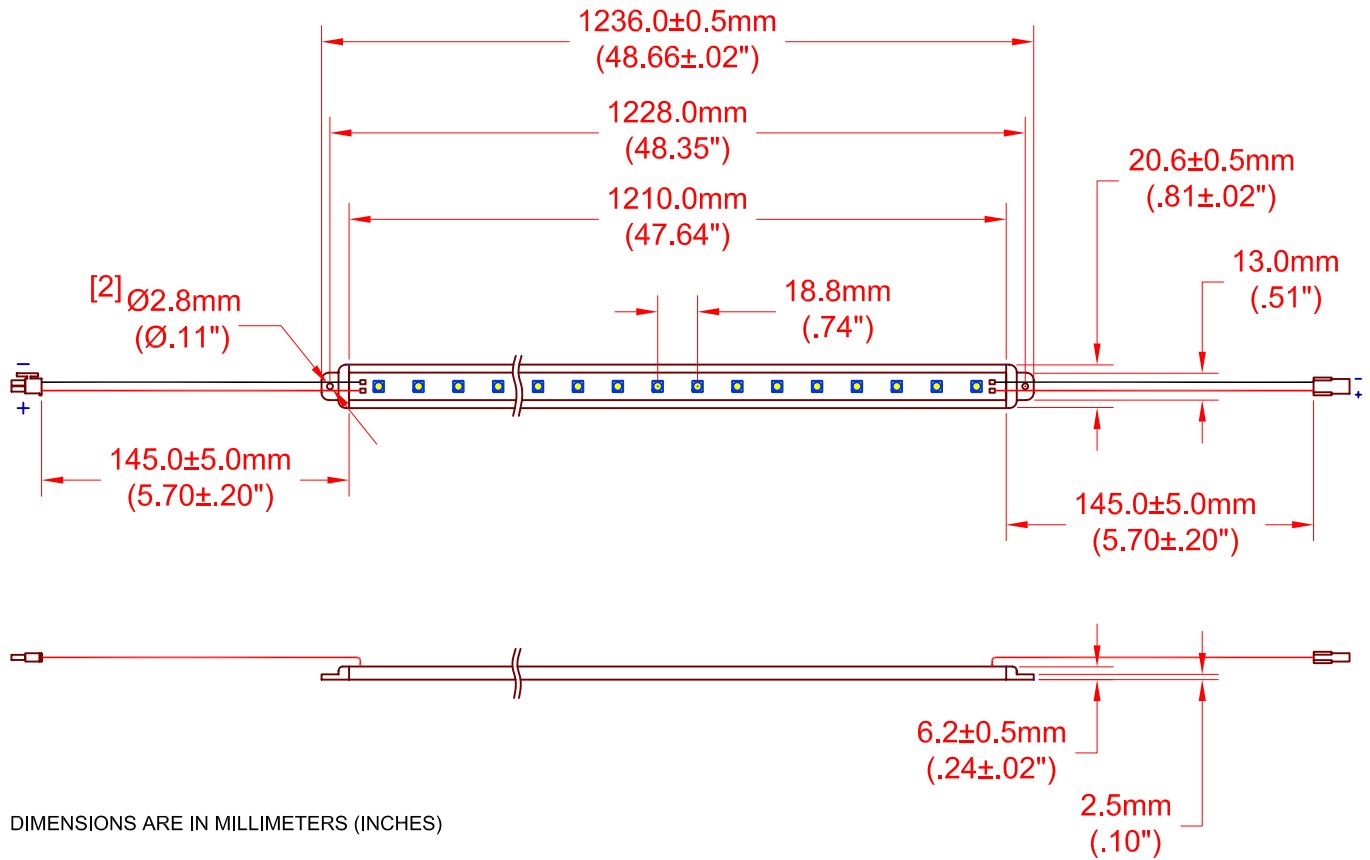


Electro-Optical Characteristics (Ta = 25°C)

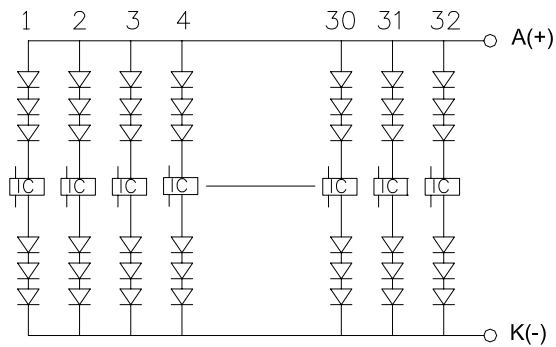
JKL Part Number	Color	Number of LEDs	Input Voltage (V DC)	Power (W)	Current (mA)	Radiance Angle (Deg.)	λd(nm)/ CCT(K)	Lumen Flux (lm)
ZAF-936-24CW	Cool White	48	24	11.52	480	120	6000K	576
ZAF-936-24NW	Neutral White	48	24	11.52	480	120	4100K	490
ZAF-936-24WW	Warm White	48	24	11.52	480	120	3050K	490

ALUMILINE LED FIXTURE

Dimensions



Circuit Diagram



Electro-Optical Characteristics (Ta = 25°C)

JKL Part Number	Color	Number of LEDs	Input Voltage (V DC)	Power (W)	Current (mA)	Radiance Angle (Deg.)	λd(nm)/ CCT(K)	Lumen Flux (lm)
ZAF-1236-24CW	Cool White	64	24	15.36	640	120	6000K	768
ZAF-1236-24NW	Neutral White	64	24	15.36	640	120	4100K	630
ZAF-1236-24WW	Warm White	64	24	15.36	640	120	3050K	630

X-ON Electronics

Largest Supplier of Electrical and Electronic Components

Click to view similar products for [LED Lighting Fixtures](#) category:

Click to view products by [JKL](#) manufacturer:

Other Similar products are found below :

[1301080067](#) [XVEC21P](#) [XVEC2B7](#) [2576960000](#) [113163000-00662717](#) [113472000-00691461](#) [XVBC2B3](#) [XVBC2B7](#) [XVBC4B4](#) [XVBC4B5](#)
[XVBC4B6](#) [XVBC4M3](#) [XVBC4M4](#) [XVBC4M5](#) [XVBC4M8](#) [XVBZ01](#) [XVBZ03A](#) [XVBZ04](#) [E35600](#) [NB-RLAMP01-LED](#) [FLK7LED](#)
[XVBZ04A](#) [XVBC4M7](#) [XVBC4M6](#) [XVBC4B3](#) [XVBC2B8](#) [2700127](#) [2702933](#) [2702477](#) [89406068](#) [148-00076](#) [190007019-00014904](#)
[226108019-00610754](#) [4823](#) [4824](#) [4868](#) [11212573001-00514271](#) [112887037-00076065](#) [113021000-00564565](#) [113473000-00704968](#) [NB-](#)
[RLAMP01](#) [112577000-00539774](#) [113458000-00668976](#) [E35500](#) [SL7/4-FW](#) [LML-6TER-CAB](#) [SL4-FMS-100](#) [SL4-FMS-400](#) [SL7-CB-400](#)
[SL7-CB-T-250](#)