

# ALUMILINE LED FIXTURE

## Features

- High Brightness
- Long Life
- Low Power Consumption
- RoHS Compliant
- No UV Emission
- Thermally Optimized
- Low Profile
- Moisture Resistant
- Mounting Holes for Ease of Installation



## Maximum Ratings

Parameter	Symbol	Rating	Units
LED Junction Temperature	$T_J$	125	$^{\circ}\text{C}$
Operating Temperature	$T_{opr}$	-30 ~ +85	$^{\circ}\text{C}$
Storage Temperature	$T_{stg}$	-40 ~ +85	$^{\circ}\text{C}$

## Mating Components

Input Connector Options allows for input to either side of bar allowing flexibility in design.

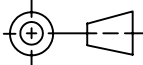
JKL Part Numbers:

ZAF-CH-S: Input Connector

ZAF-CH-S1: Input Connector

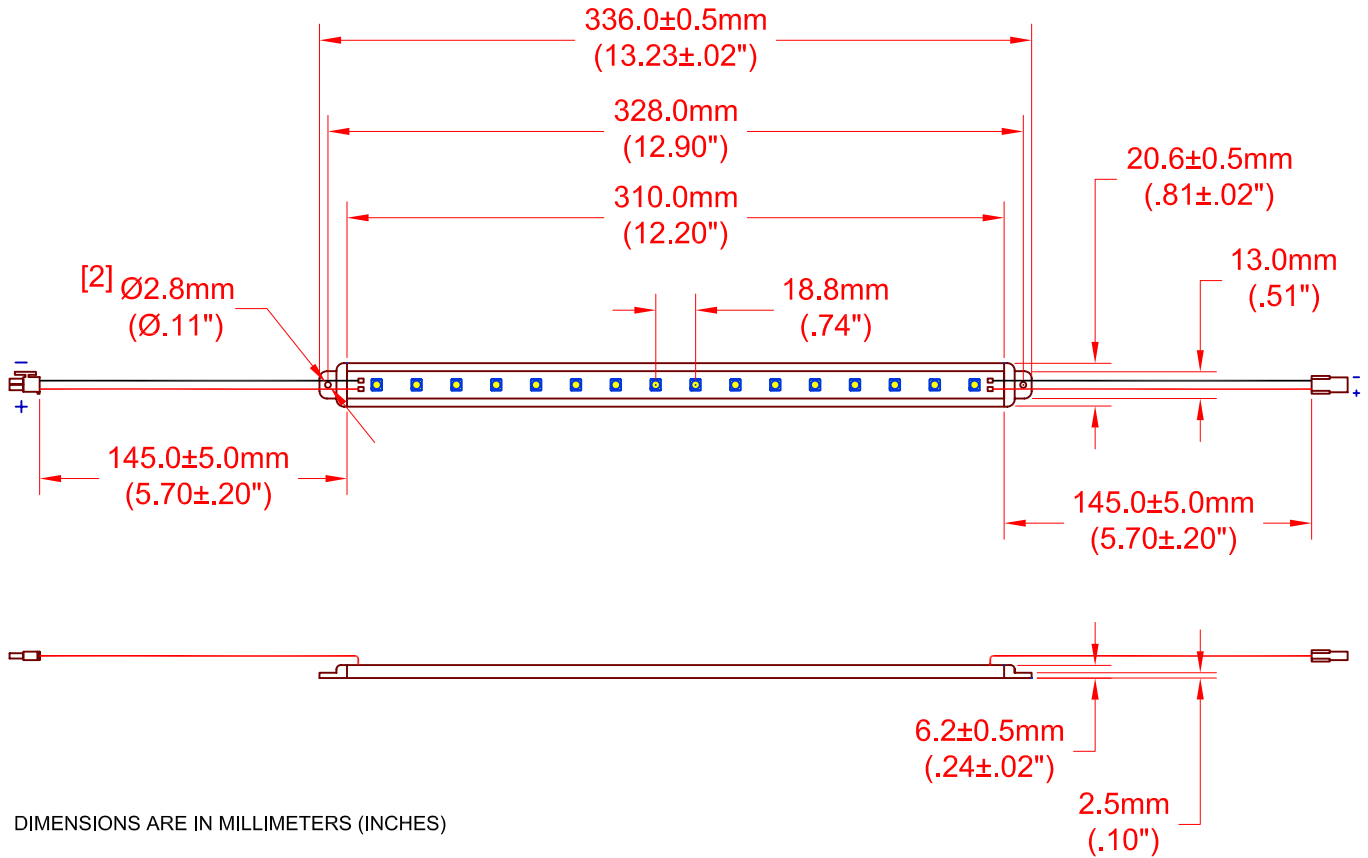
ZAF-CH-J: Jumper Connector

ZPS-20: 24V Power Supply mates with both input connector options

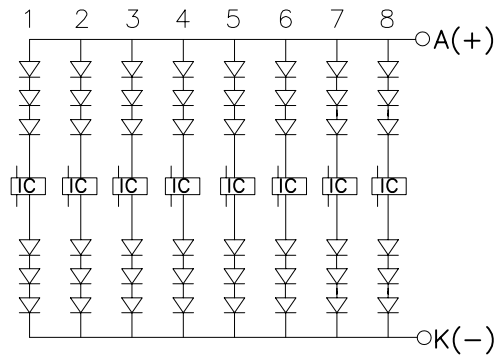
			<b>METRIC</b>  THIRD ANGLE PROJECTION		DIMENSIONS ARE MILLIMETER (INCH) TOLERANCE UNLESS OTHERWISE SPECIFIED 1 PL +/- REF. 2 PL +/- REF. ANGLE +/- REF.		<b>JKL COMPONENTS CORPORATION</b>						
					TITLE <b>ALUMILINE LED FIXTURE</b>								
<b>B</b>	ADD MATING COMPONENTS NOTE	7/16/09	DRAWN BY		APP'VD BY	DATE	SIZE	FSCM NO.	DRAWING NO.		ZAF-MULTI		
<b>A</b>	PG 2 15 V DC TO 24 V DC & PART # CHNG	6/2/09	L. WENGSTROM		S.C.	7/16/09	<b>A</b>	<b>55335</b>					
	RELEASED	5/5/09											
REV. NO.	DESCRIPTION/ECO NUMBER	APP'VD DATE	- CAD DRAWING -			SCALE	NONE	RELEASED DATE	5/6/09	REVISION DATE	7/16/09	REV. NO. <b>B</b>	SHEET 1 OF 6
			MANUAL REVISIONS NOT PERMITTED										

# ALUMILINE LED FIXTURE

## Dimensions



## Circuit Diagram

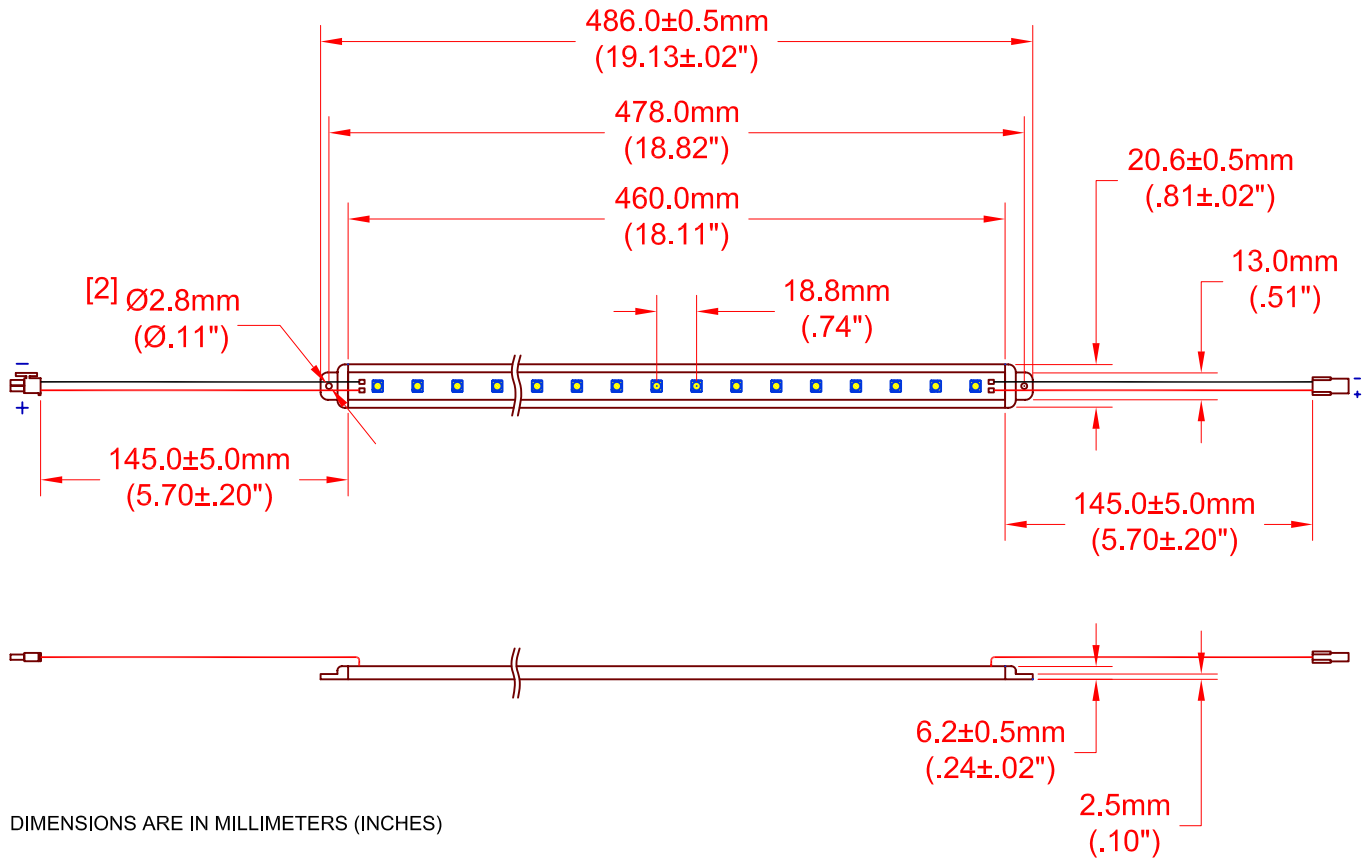


## Electro-Optical Characteristics (Ta = 25°C)

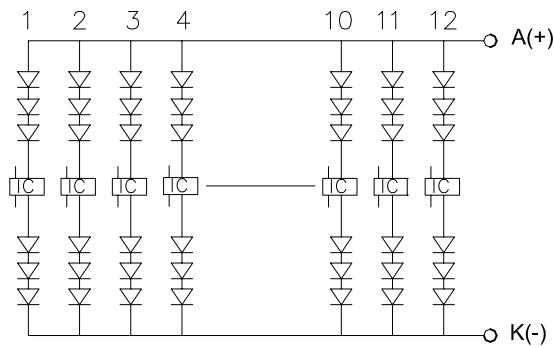
JKL Part Number	Color	Number of LEDs	Input Voltage (V DC)	Power (W)	Current (mA)	Radiance Angle (Deg.)	λd(nm)/ CCT(K)	Lumen Flux (lm)
ZAF-336-24CW	Cool White	16	24	3.84	160	120	6000K	192
ZAF-336-24NW	Neutral White	16	24	3.84	160	120	4100K	163
ZAF-336-24WW	Warm White	16	24	3.84	160	120	3050K	163

# ALUMILINE LED FIXTURE

## Dimensions



## Circuit Diagram

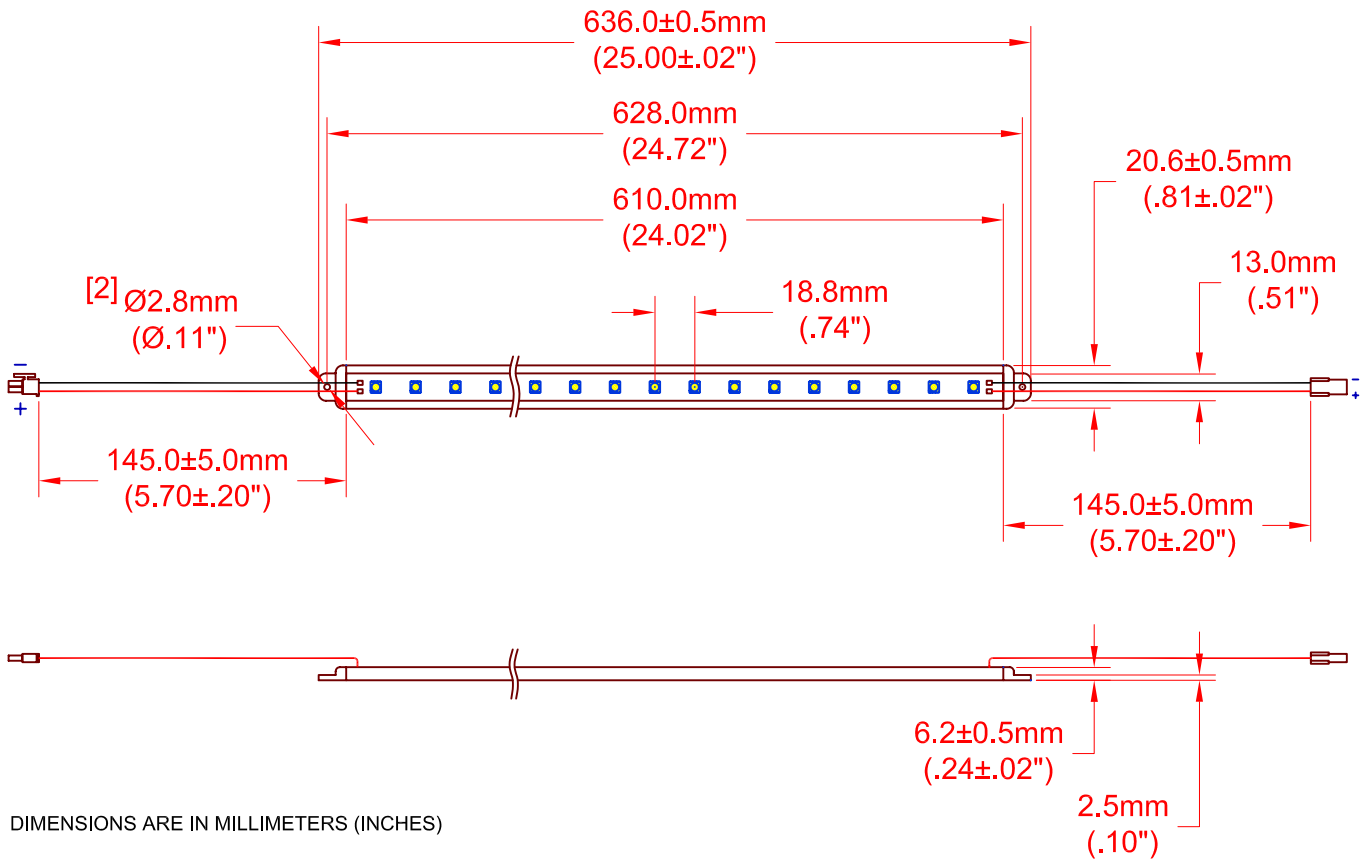


## Electro-Optical Characteristics (Ta = 25°C)

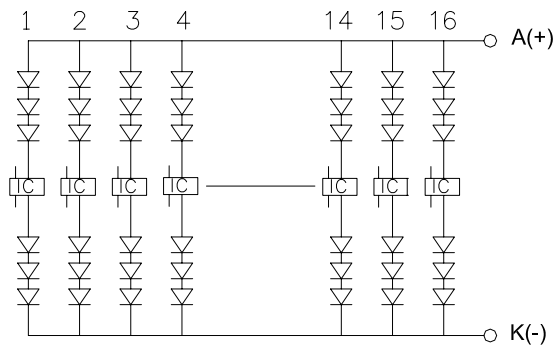
JKL Part Number	Color	Number of LEDs	Input Voltage (V DC)	Power (W)	Current (mA)	Radiance Angle (Deg.)	λd(nm)/ CCT(K)	Lumen Flux (lm)
ZAF-486-24CW	Cool White	24	24	5.76	240	120	6000K	288
ZAF-486-24NW	Neutral White	24	24	5.76	240	120	4100K	245
ZAF-486-24WW	Warm White	24	24	5.76	240	120	3050K	245

# ALUMILINE LED FIXTURE

## Dimensions



## Circuit Diagram

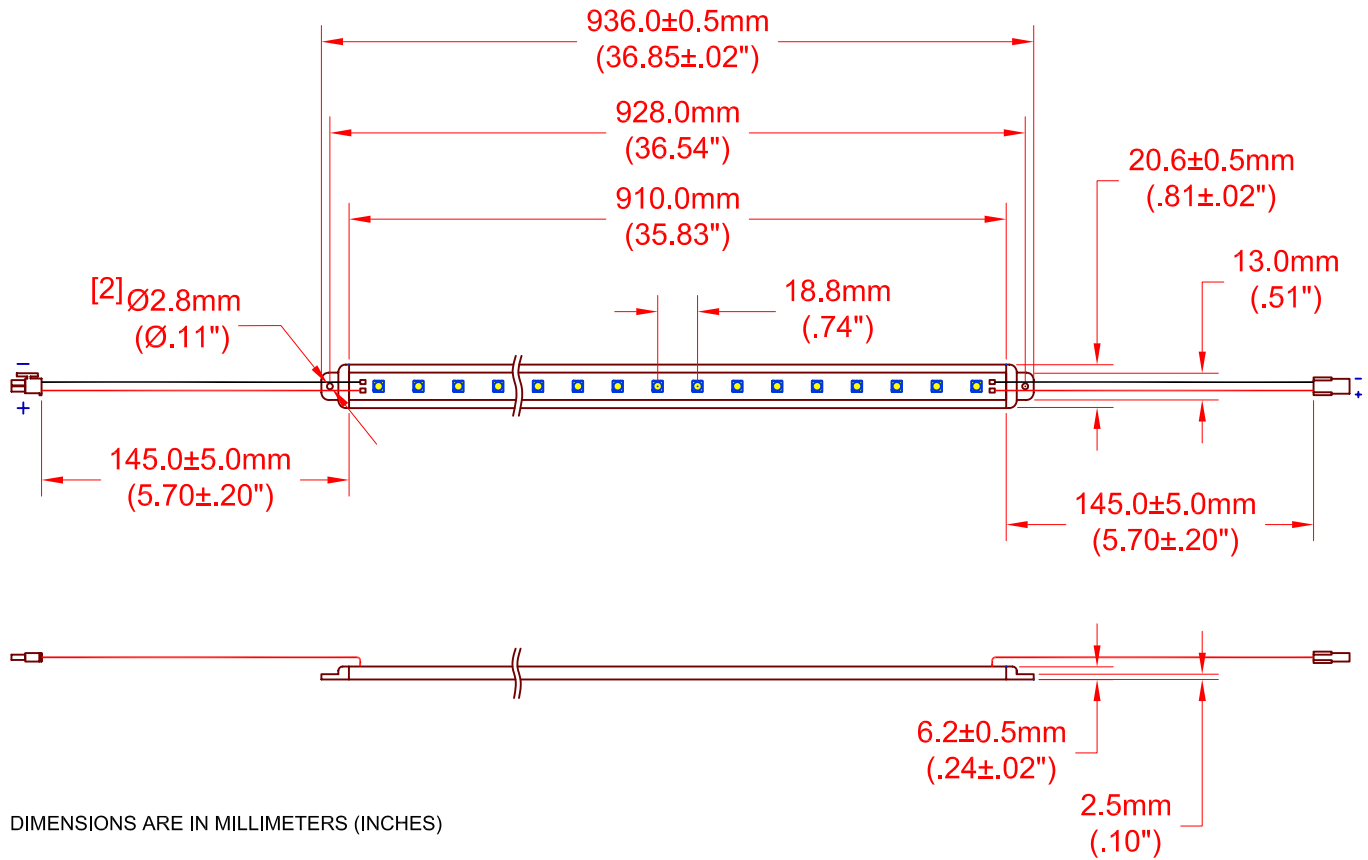


## Electro-Optical Characteristics (Ta = 25°C)

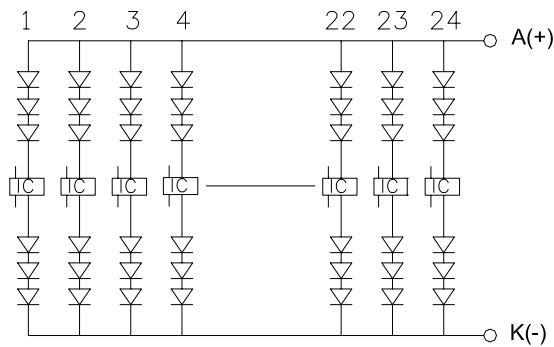
JKL Part Number	Color	Number of LEDs	Input Voltage (V DC)	Power (W)	Current (mA)	Radiance Angle (Deg.)	λd(nm)/ CCT(K)	Lumen Flux (lm)
ZAF-636-24CW	Cool White	32	24	7.68	320	120	6000K	384
ZAF-636-24NW	Neutral White	32	24	7.68	320	120	4100K	326
ZAF-636-24WW	Warm White	32	24	7.68	320	120	3050K	326

# ALUMILINE LED FIXTURE

## Dimensions



## Circuit Diagram

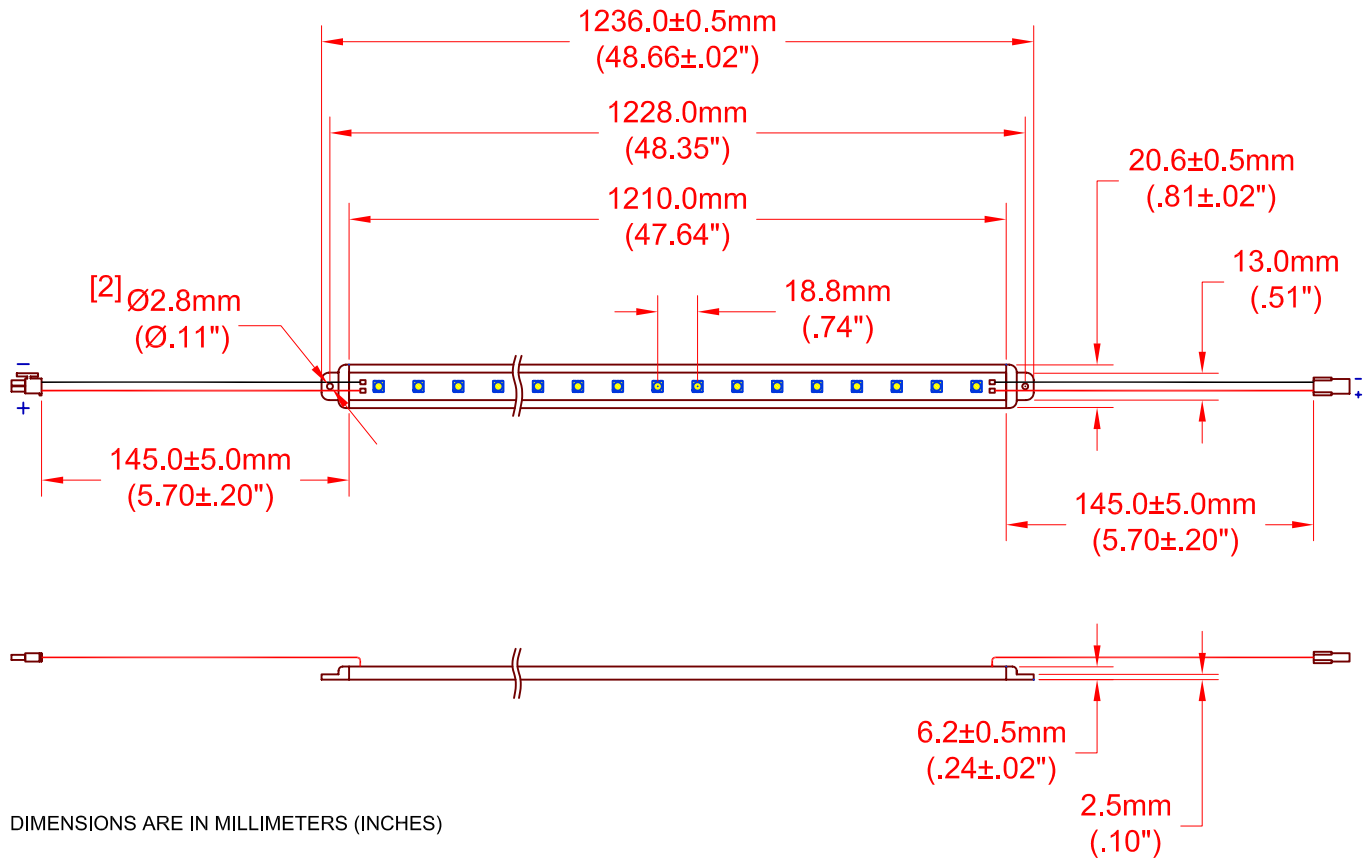


## Electro-Optical Characteristics (Ta = 25°C)

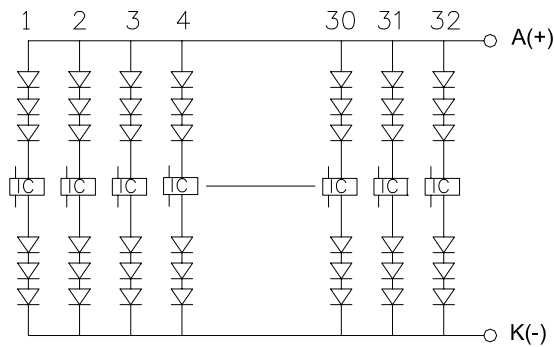
JKL Part Number	Color	Number of LEDs	Input Voltage (V DC)	Power (W)	Current (mA)	Radiance Angle (Deg.)	λd(nm)/ CCT(K)	Lumen Flux (lm)
ZAF-936-24CW	Cool White	48	24	11.52	480	120	6000K	576
ZAF-936-24NW	Neutral White	48	24	11.52	480	120	4100K	490
ZAF-936-24WW	Warm White	48	24	11.52	480	120	3050K	490

# ALUMILINE LED FIXTURE

## Dimensions



## Circuit Diagram



## Electro-Optical Characteristics (Ta = 25°C)

JKL Part Number	Color	Number of LEDs	Input Voltage (V DC)	Power (W)	Current (mA)	Radiance Angle (Deg.)	λd(nm)/ CCT(K)	Lumen Flux (lm)
ZAF-1236-24CW	Cool White	64	24	15.36	640	120	6000K	768
ZAF-1236-24NW	Neutral White	64	24	15.36	640	120	4100K	630
ZAF-1236-24WW	Warm White	64	24	15.36	640	120	3050K	630

## X-ON Electronics

Largest Supplier of Electrical and Electronic Components

*Click to view similar products for [JKL manufacturer](#):*

Other Similar products are found below :

[CW23](#) [7330](#) [8369](#) [E12522](#) [405](#) [LE-BA9S-55W](#) [SM2480L](#) [ZWF-438-24CW](#) [ZFS-8500-CW](#) [ZFS-85000HD-WW](#) [ZFS-84000-NW](#) [ZCTR-06](#)  
[ZCTR-05](#) [BF2698-31BASSY](#) [OP2104](#) [A1C](#) [7374](#) [BF20100-11B](#) [BF24438-33B](#) [BF2698-20B](#) [ZCTR-08](#) [ZFS-85020WR-CW](#) [ZFS-84000-](#)  
[WW](#) [ZAF-486-24CW](#) [ZFS-155000-24CW](#) [LE-BA9S-24G](#) [1866](#) [ZFC17915PCM/ASSY/01-36"](#) [BF3137-32B/ASSY/01](#) [A3175B](#) [1819](#) [335](#)  
[ZFS-85000HD-R](#) [ZFS-8500-WW/SEC](#) [ZFS-85000SV-WW](#) [ZFS-155000-CW](#) [ZWF-638-24CW](#) [ZPS-20](#) [ZAF-336-24CW](#) [ZAF-936-24CW](#)  
[7319](#) [1835](#) [BF3100-UV1](#) [39-12-7B](#) [ZFS-85000HD-B](#) [8705](#) [XE2405](#) [ZFS-245000-CW](#) [ZFC18C355MW/ASSY02](#) [2114](#)