

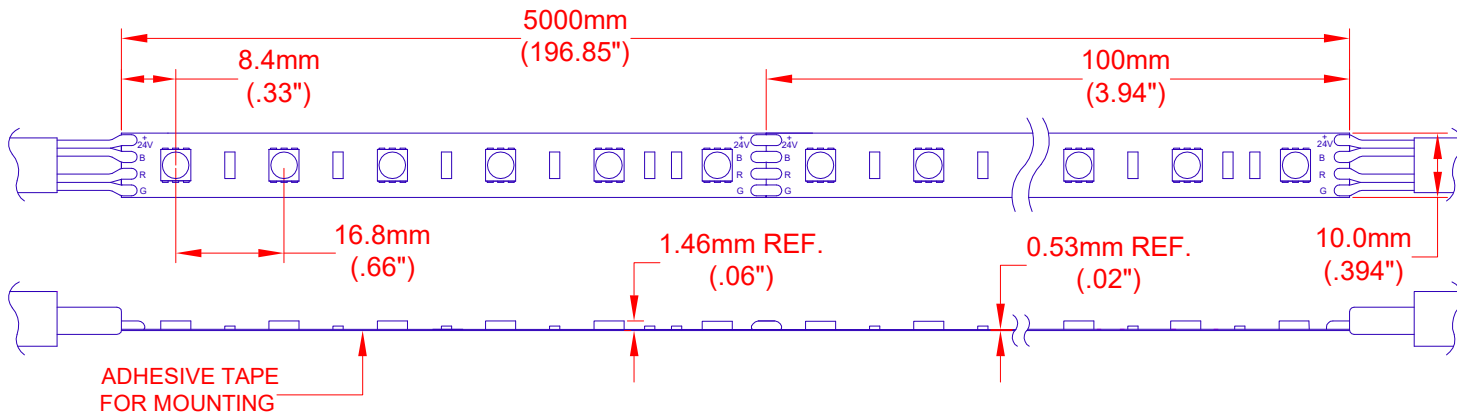
# 10mm X 5000mm RGB LIGHT RIBBON

## FEATURES

VOLTAGE: 24V DC  
 CURRENT: 3.0A  
 LED VIEWING ANGLE (2 θ 1/2): 100°

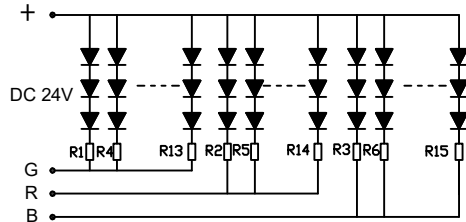
STANDARD PACKAGING:  
 5 METER REEL (300 LED'S)

OPTIONAL PACKAGING:  
 INDIVIDUAL 500mm SECTIONS (30 LED'S)  
 ORDER AS ZFS-105000-24RGB/SEC  
 Note: Individual Sections ARE NOT supplied with insulated wire connections.



### Electrical/Optical Characteristics at TA = 25°C

Parameter	Symbol	Color	Condition	Min	Typ	Max	Unit
Forward Voltage DC	VF	RGB	IF = 3.0A	--	24	--	V
Dominant Wavelength	λD	R	IF = 1.0A	618	630	--	nm
		G	IF = 1.0A	515	524	--	
		B	IF = 1.0A	455	470	--	
Luminous Flux	φV	R	IF = 1.0A	--	428	--	lm
		G	IF = 1.0A	--	1508	--	
		B	IF = 1.0A	--	143	--	
Recommend Forward Current	IF(rec)	--	--	--	2.4	--	A

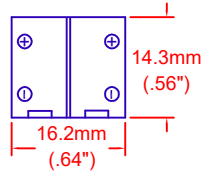


### Absolute Maximum Rating at TA = 25°C

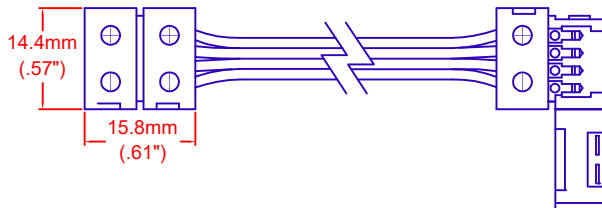
Parameter	Symbol	Absolute Maximum Rating	Unit
Forward Current	IF	3	A
Power Dissipation	PD	72	W
Electrostatic Discharge	ESD	400	V
Operating Temperature	Topr	-20~+50	°C
Storage Temperature	Tstg	-30~+80	°C

## Mating Components

ZFS-CH0-RGB10J Flex to Flex  
 No Solder Connector



ZCH-170-RGB-J Flex Ribbon Joiner Harness



**ATTENTION**  
 OBSERVE PRECAUTION  
 FOR HANDLING ELECTROSTATIC  
 DISCHARGE SENSITIVE DEVICES

JKL PART NO.: ZFS-105000-24RGB

<p>METRIC                  DIMENSIONS ARE IN mm (INCHES)                  TOLERANCE UNLESS OTHERWISE SPECIFIED                  1 PL +/- REF.                  2 PL +/- REF.                  ANGLE +/-</p>	<p><b>JKL</b> COMPONENTS CORPORATION</p>	
	<p>TITLE                  24 V RGB LED FLEX STRIP</p>	
<p>DRAWN BY                  L. WENGSTROM</p>	<p>APP'D BY DATE                  L.R. 6/5/18</p>	<p>SIZE  <b>A</b></p>
<p>REVISIONS</p>	<p>SCALE                  NONE</p>	<p>FSCM NO.  <b>55335</b></p>
<p>REV. NO. B</p>	<p>RELEASED DATE                  3/15/16</p>	<p>REVISION DATE                  6/5/18</p>
<p>DESCRIPTION/ECO NUMBER</p>	<p>APP'D DATE</p>	<p>REV. NO. B</p>
<p>CHANGE +24V GRB TO +24V BRG [4 PLCS]</p>	<p>6/5/18</p>	<p>1 OF 1</p>
<p>CHANGE MATING COMPONENT</p>	<p>3/29/16</p>	
<p>RELEASED</p>	<p>3/15/16</p>	
<p>- CAD DRAWING -                  MANUAL REVISIONS NOT PERMITTED</p>		

REV. NO.	DESCRIPTION/ECO NUMBER	APP'D DATE
B	CHANGE +24V GRB TO +24V BRG [4 PLCS]	6/5/18
A	CHANGE MATING COMPONENT	3/29/16
	RELEASED	3/15/16

## X-ON Electronics

Largest Supplier of Electrical and Electronic Components

*Click to view similar products for [LED Lighting Bars and Strips](#) category:*

*Click to view products by [JKL](#) manufacturer:*

Other Similar products are found below :

[ZLF0310W62524](#) [LF1D-F2F-2W-300](#) [HH-SWW528F210W12-COB IP65](#) [HH-SG528F010W24-COB IP20](#) [LF2D-EN2F-2W-A](#) [10001622](#)  
[LFBHL-SW860-24V-8S63-20](#) [LFBHL-SW940-24V-8S63-20](#) [HH-SRGB60F010W24-5050M](#) [N006120BB1LZ \(GREEN\)](#) [N006120BB1LZ](#)  
[\(ICE BLUE\)](#) [N006120BB1LZ \(RED\)](#) [N006120BC1LZ \(BLUE\)](#) [N006120BC1LZ \(GREEN\)](#) [N006120BC1LZ \(RED\)](#) [RF-G27HI3510-](#)  
[241202081-A0 IP20](#) [S010030CB3SB7](#) [S010030CB3SB7 \(BLACK PCB\)](#) [S010060CB1LZ \(NEUTRAL WHITE IP65\)](#) [S010060CB1LZ](#)  
[\(WARM WHITE IP65\)](#) [S010060CB3SB7](#) [S010060CC1LZ \(WARM WHITE IP65\)](#) [S012060CB4ST \(BLACK PCB\)](#) [L202-3080033C30001](#)  
[00219015](#) [10001611](#) [10001612](#) [10001613](#) [10001617](#) [10001619](#) [10001623](#) [10001655](#) [10001657](#) [10001661](#) [10001664](#) [10001670](#) [10001674](#)  
[10001675](#) [10001681](#) [10001683](#) [10001690](#) [PUUA-100LLL-NK2P](#) [QAUR1161L030](#) [HC-F12V-3535 PCBA](#) [HC-F12V-F50-3L-WS2811](#) [HC-](#)  
[F12V-WS2811-3535](#) [HC-F5V-144L-144LED-B-WS2813 IP65](#) [HC-F5V-144L-144LED-W/IP65](#) [HC-F5V-144L-144LED-W-WS2813 IP20](#)  
[HC-F5V-30L-30LED-B-WS2813 IP20](#)