

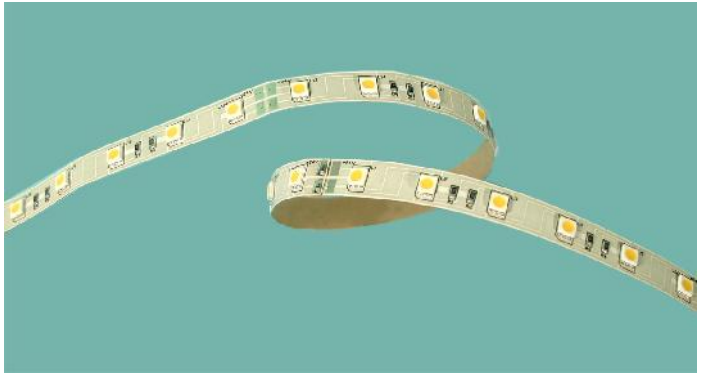
# 10mm X 5000mm SMD LIGHT RIBBON

## Features

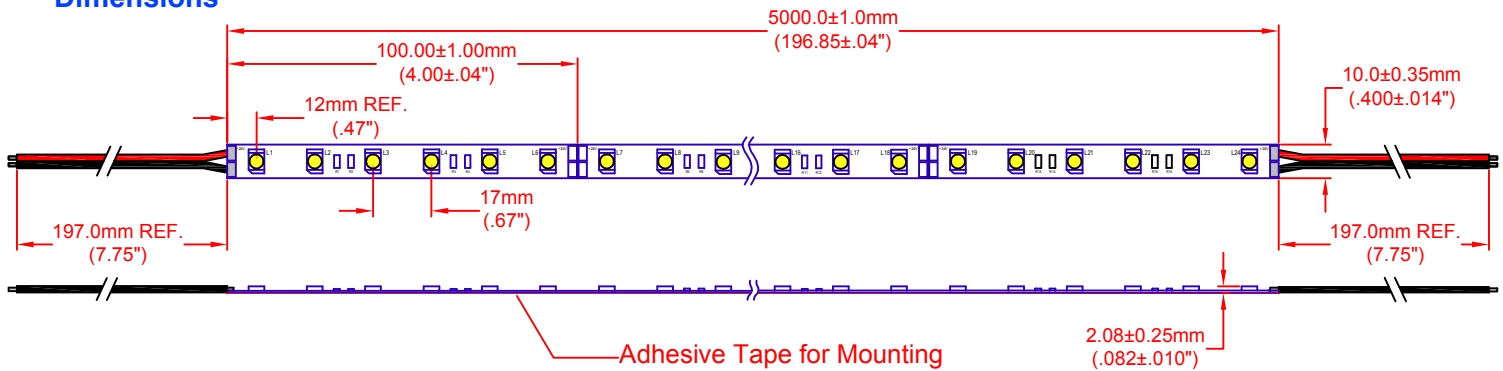
Voltage: 24V DC  
 Current: 2165mA  
 LED Viewing Angle (2  $\theta$  1/2): 120°  
 Standard Packaging:  
 5 Meter Reel (300 LED's)



E365522



## Dimensions



## Electro-Optical Characteristics (T<sub>J</sub> = 25°C)

| Part Number   | Color         | Number of LEDs | Input Voltage (V DC) | Power (W) | Current (mA) | Radiance Angle (Deg.) | $\lambda_d$ (nm)/ CCT(K) | Lumen Flux (lm) |
|---------------|---------------|----------------|----------------------|-----------|--------------|-----------------------|--------------------------|-----------------|
| ZFS-245000-CW | Cool White    | 300            | 24                   | 67.2      | 2800         | 120                   | 10000 to 12000           | 3900            |
| ZFS-245000-NW | Neutral White | 300            | 24                   | 67        | 2800         | 120                   | 3800 to 4300             | 4525            |
| ZFS-245000-WW | Warm White    | 300            | 24                   | 52        | 2165         | 120                   | 2700 to 3100             | 3650            |

Note: Flux is measured with an accuracy of +/- 10%.

## Maximum Ratings

| Parameter                | Symbol           | Rating     | Units |
|--------------------------|------------------|------------|-------|
| LED Junction Temperature | T <sub>J</sub>   | 125        | °C    |
| Operating Temperature    | T <sub>opr</sub> | -20 ~ +85  | °C    |
| Storage Temperature      | T <sub>stg</sub> | -20 ~ +100 | °C    |
| ESD Sensitivity          | V <sub>B</sub>   | 1000       | V     |

### ATTENTION

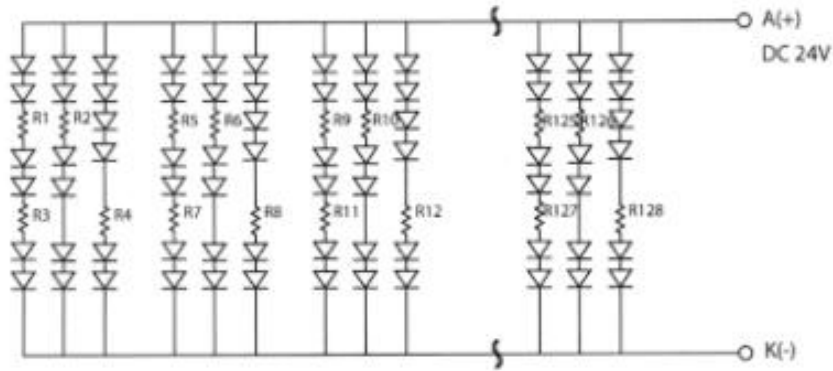


OBSERVE PRECAUTION FOR HANDLING ELECTROSTATIC DISCHARGE SENSITIVE DEVICES

| E        |                        |            | METRIC                         |           | DIMENSIONS ARE MILLIMETER (INCH)   |       | JKL COMPONENTS CORPORATION                              |                  |          |        |  |
|----------|------------------------|------------|--------------------------------|-----------|--|-------|---|------------------|----------|--------|--|
| REV. NO. | DESCRIPTION/ECO NUMBER | APP'D DATE | THIRD ANGLE PROJECTION         |           | TOLERANCE UNLESS OTHERWISE SPECIFIED<br>1 PL +/- REF.<br>2 PL +/- REF.<br>ANGLE +/- REF. |       | TITLE<br>10 X 5000mm, 17mm PITCH, WHITE LED FLEX RIBBON |                  |          |        |  |
|          |                        |            | DRAWN BY                       | APP'VD BY | DATE   | SIZE  | FSCM NO.  | DRAWING NO.      |          |        |  |
|          |                        |            | L. WENGSTROM                   | L.R.      | 11/11/15   | A     | 55335   | ZFS-245000 MULTI |          |        |  |
|          |                        |            | - CAD DRAWING -                |           |  | SCALE | RELEASED DATE   | REVISION DATE    | REV. NO. | SHEET  |  |
|          |                        |            | MANUAL REVISIONS NOT PERMITTED |           |  | NONE  | 2/5/13  | 11/11/15         | E        | 1 OF 2 |  |

# 10mm X 5000mm SMD LIGHT RIBBON

## Circuit Diagram



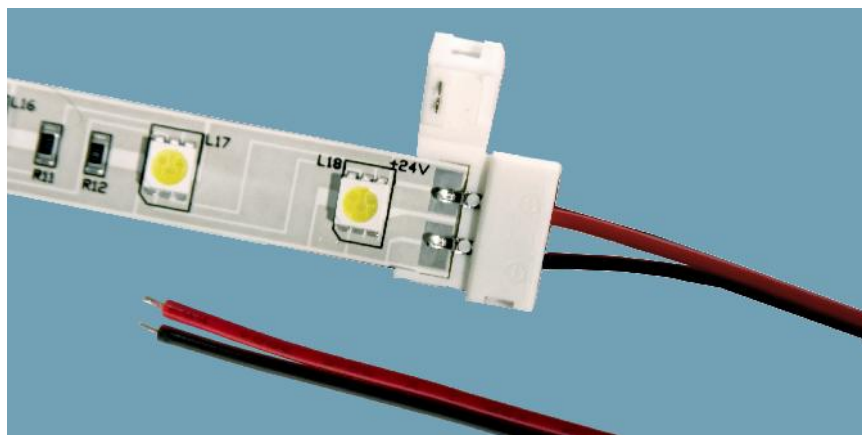
## Accessories

ZPS-2435 OR ZPS-2460 MeanWell Power Supply

## Mating Components



ZFS-CH0-12J  
Flex to Flex Tape Connector



ZFS-CH144-12I  
Flex Tape Input Connector

## X-ON Electronics

Largest Supplier of Electrical and Electronic Components

*Click to view similar products for [LED Lighting Bars and Strips](#) category:*

*Click to view products by [JKL](#) manufacturer:*

Other Similar products are found below :

[ZLF0310W62524](#) [LF1D-F2F-2W-300](#) [HH-SWW528F210W12-COB IP65](#) [HH-SG528F010W24-COB IP20](#) [LF2D-EN2F-2W-A](#) [10001622](#)  
[LFBHL-SW860-24V-8S63-20](#) [LFBHL-SW940-24V-8S63-20](#) [HH-SRGB60F010W24-5050M](#) [N006120BB1LZ \(GREEN\)](#) [N006120BB1LZ](#)  
[\(ICE BLUE\)](#) [N006120BB1LZ \(RED\)](#) [N006120BC1LZ \(BLUE\)](#) [N006120BC1LZ \(GREEN\)](#) [N006120BC1LZ \(RED\)](#) [RF-G27HI3510-](#)  
[241202081-A0 IP20](#) [S010030CB3SB7](#) [S010030CB3SB7 \(BLACK PCB\)](#) [S010060CB1LZ \(NEUTRAL WHITE IP65\)](#) [S010060CB1LZ](#)  
[\(WARM WHITE IP65\)](#) [S010060CB3SB7](#) [S010060CC1LZ \(WARM WHITE IP65\)](#) [S012060CB4ST \(BLACK PCB\)](#) [L202-3080033C30001](#)  
[00219015](#) [10001611](#) [10001612](#) [10001613](#) [10001617](#) [10001619](#) [10001623](#) [10001655](#) [10001657](#) [10001661](#) [10001664](#) [10001670](#) [10001674](#)  
[10001675](#) [10001681](#) [10001683](#) [10001690](#) [PUUA-100LLL-NK2P](#) [QAUR1161L030](#) [HC-F12V-3535 PCBA](#) [HC-F12V-F50-3L-WS2811](#) [HC-](#)  
[F12V-WS2811-3535](#) [HC-F5V-144L-144LED-B-WS2813 IP65](#) [HC-F5V-144L-144LED-W/IP65](#) [HC-F5V-144L-144LED-W-WS2813 IP20](#)  
[HC-F5V-30L-30LED-B-WS2813 IP20](#)