

# 8mm X 500mm SMD LIGHT RIBBON

## FEATURES

VOLTAGE: 12V DC

CURRENT: 200mA

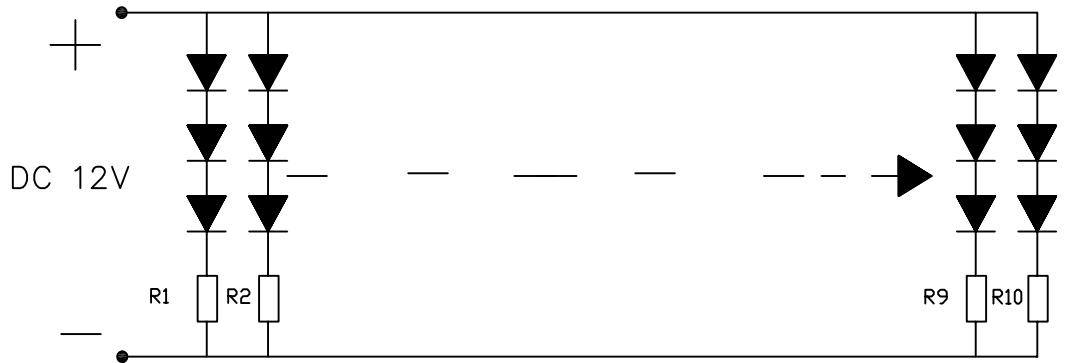
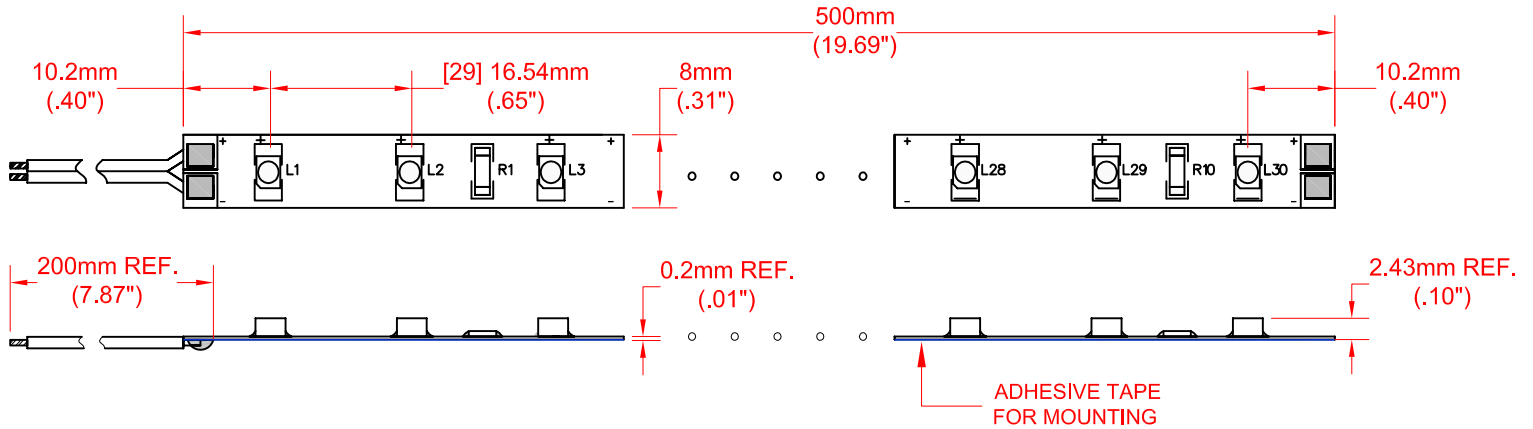
LED VIEWING ANGLE (2 θ 1/2): 120°

### STANDARD PACKAGING OPTIONS:

Individual 500mm sections (30 LED's):  
Order as ZFS-8500-CW/SEC.

NOTE: Individual sections are not supplied  
with insulated wire connection.

5 Meter Reel: Order as ZFS-8500-CW



### ATTENTION



OBSERVE PRECAUTION  
FOR HANDLING ELECTROSTATIC  
DISCHARGE SENSITIVE DEVICES

JKL PART NO.: ZFS-8500-CW

			<b>METRIC</b>  THIRD ANGLE PROJECTION		DIMENSIONS ARE IN mm (INCHES) TOLERANCE UNLESS OTHERWISE SPECIFIED 1 PL +/- REF. 2 PL +/- REF. ANGLE +/-		<b>JKL COMPONENTS CORPORATION</b>				
					TITLE		COOL WHITE LED FLEX RIBBON				
<b>B</b>	CHANGE PACKAGING NOTE	9/2/08	DRAWN BY	APPV'D BY	DATE	SIZE	FSCM NO.	DRAWING NO.			
<b>A</b>	ADD DIM'S & COLOR TEMP ON CHART	3/11/08	L. WENGSTROM	L.R.	9/2/08	<b>A</b>	<b>55335</b>	ZFS-8500-CW			
RELEASED & CANCEL PL-0710-09		1/10/08	- CAD DRAWING - MANUAL REVISIONS NOT PERMITTED				SCALE	RELEASED DATE	REVISION DATE	REV. NO.	SHEET
REV. NO.	DESCRIPTION/ECO NUMBER	APPV'D DATE					NONE	1/10/08	9/2/08	<b>B</b>	1 OF 2

## 8mm X 500mm SMD LIGHT RIBBON

RATINGS ARE PER SECTION

### Absolute Maximum Rating at TA = 25°C

Parameter	Symbol	Absolute Maximum Rating	Unit
Forward Current	IF	200	mA
Power Dissipation	PD	2.4	W
Electrostatic Discharge	ESD	800	V
Operating Temperature	Topr	-25~+60	°C
Storage Temperature	Tstg	-40~+80	°C

### Electrical/Optical Characteristics at TA = 25°C

Parameter	Symbol	Condition	Min	Typ	Max	Unit
Forward Voltage DC	VF	IF = 200mA	--	12	--	V
Color Temperature	TC	IF = 200mA	6500			K
Luminous Flux	$\phi_V$	IF = 200mA	--	65	--	lm
Recommend Forward Current	IF(rec)	--	--	200	--	mA

## X-ON Electronics

Largest Supplier of Electrical and Electronic Components

*Click to view similar products for [LED Lighting Bars and Strips](#) category:*

*Click to view products by [JKL](#) manufacturer:*

Other Similar products are found below :

[ZLF0310W62524](#) [LF1D-F2F-2W-300](#) [HH-SWW528F210W12-COB IP65](#) [HH-SG528F010W24-COB IP20](#) [LF2D-EN2F-2W-A](#) [10001622](#)  
[LFBHL-SW860-24V-8S63-20](#) [LFBHL-SW940-24V-8S63-20](#) [HH-SRGB60F010W24-5050M](#) [N006120BB1LZ \(GREEN\)](#) [N006120BB1LZ](#)  
[\(ICE BLUE\)](#) [N006120BB1LZ \(RED\)](#) [N006120BC1LZ \(BLUE\)](#) [N006120BC1LZ \(GREEN\)](#) [N006120BC1LZ \(RED\)](#) [RF-G27HI3510-](#)  
[241202081-A0 IP20](#) [S010030CB3SB7](#) [S010030CB3SB7 \(BLACK PCB\)](#) [S010060CB1LZ \(NEUTRAL WHITE IP65\)](#) [S010060CB1LZ](#)  
[\(WARM WHITE IP65\)](#) [S010060CB3SB7](#) [S010060CC1LZ \(WARM WHITE IP65\)](#) [S012060CB4ST \(BLACK PCB\)](#) [L202-3080033C30001](#)  
[00219015](#) [10001611](#) [10001612](#) [10001613](#) [10001617](#) [10001619](#) [10001623](#) [10001655](#) [10001657](#) [10001661](#) [10001664](#) [10001670](#) [10001674](#)  
[10001675](#) [10001681](#) [10001683](#) [10001690](#) [PUUA-100LLL-NK2P](#) [QAUR1161L030](#) [HC-F12V-3535 PCBA](#) [HC-F12V-F50-3L-WS2811](#) [HC-](#)  
[F12V-WS2811-3535](#) [HC-F5V-144L-144LED-B-WS2813 IP65](#) [HC-F5V-144L-144LED-W/IP65](#) [HC-F5V-144L-144LED-W-WS2813 IP20](#)  
[HC-F5V-30L-30LED-B-WS2813 IP20](#)