

LED FLEX RIBBON

Features

VOLTAGE: 12V DC
 CURRENT: 1800mA
 LED VIEWING ANGLE (2 θ 1/2): 120°

STANDARD PACKAGING:
 5 Meter Reel (300 LED's)

OPTIONAL PACKAGING:
 Individual 500mm Sections (30 LED's)
 Order as ZFS-8500-XX/SEC

Note: Individual Sections ARE NOT supplied with insulated wire connection.



E365522

Maximum Ratings

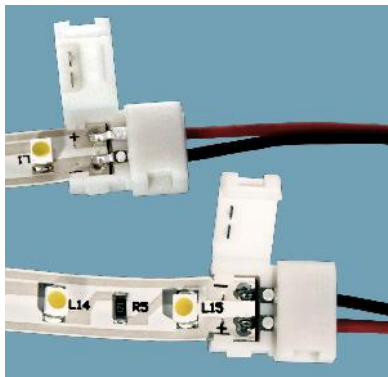
Parameter	Symbol	Rating	Unit
Electrostatic Discharge	ESD	800	V
Operating Temperature	Topr	-30~+85	°C
Storage Temperature	Tstg	-40~+100	°C

Accessories

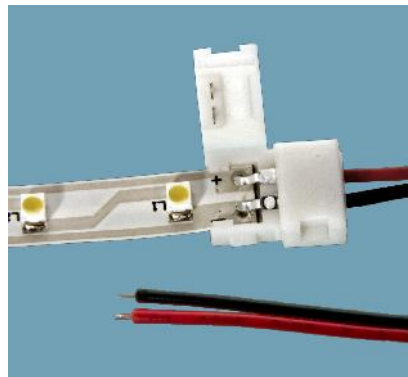
ZPS-1220 12V, 20 Watt Power Supply
 ZPS-1225 12V, 25 Watt Power Supply
 ZPS-1235 12V, 35 Watt Power Supply
 ZPS-1260 12V, 60 Watt Power Supply
 ZDM-01 PWM LED Dimmer

Note: ZPS-1235 and ZPS-1260 require use of wire nuts for connections.

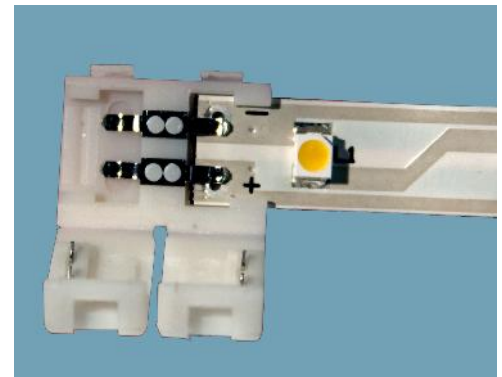
Mating Components



ZFS-CH138-8J:
Solderless Joiner Connector



ZFS-CH140-8I:
Solderless Input Connector



ZFS-CHO-8J:
Solderless Connector



ATTENTION

OBSERVE PRECAUTION FOR HANDLING ELECTROSTATIC DISCHARGE SENSITIVE DEVICES

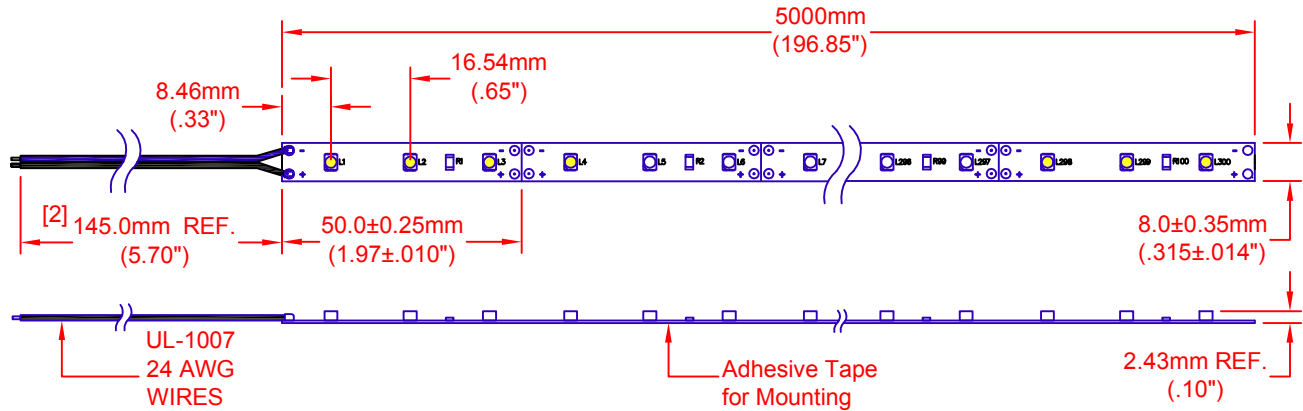
Note

Please refer to JKL Application Sheet JKL-AS-ZFS-LED FLEX for Installation and Power Recommendations.

G	DELETE PART NO. ZFS-8500-Y	6/13/14	<p>METRIC</p> <p>THIRD ANGLE PROJECTION</p>	DIMENSIONS ARE IN mm (INCHES) TOLERANCE UNLESS OTHERWISE SPECIFIED 1 PL +/- REF. 2 PL +/- REF. ANGLE +/-	JKL COMPONENTS CORPORATION TITLE LED FLEX RIBBON, 12V									
F	ADD UL SYMBOL	12/9/13												
E	CHANGE MATING COMPONENTS	5/17/13			DRAWN BY L. WENGSTROM	APPV'D BY S.C.	DATE 6/13/14	SIZE	FSCM NO.	DRAWING NO.	ZFS-8500 MULTI			
D	ADD ACCESSORIES NOTES	8/16/11						A	55335					
C	ADD WIRE TYPE AND SIZE	6/27/11						SCALE	NONE	RELEASED DATE		8/18/10	REVISION DATE	6/13/14
B	SHOW WIRES ON BOTH ENDS	2/15/11											REV. NO.	G
A	ADD ZFS-8500-Y PART NO & ASSESSORIES	12/28/10	- CAD DRAWING -		MANUAL REVISIONS NOT PERMITTED				SHEET	1 OF 2				
	RELEASED	8/18/10												
REV. NO.	DESCRIPTION/ECO NUMBER	APPV'D DATE												

LED FLEX RIBBON

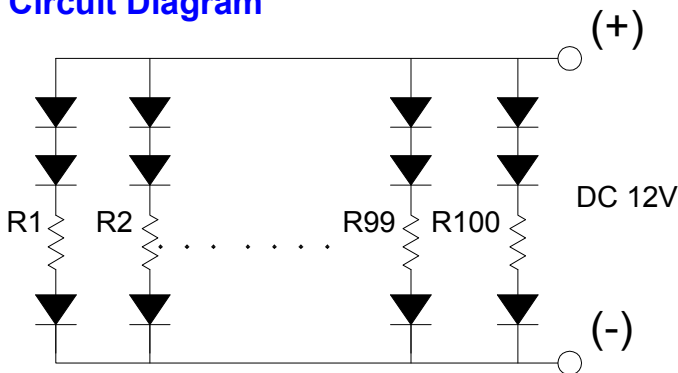
Dimensions



Electro-Optical Characteristics (Ta = 25°C)

JKL Part Number	Color	Number of LED's	Input Voltage (V DC)	Power (W)	Current (mA)	Radiance Angle	CCT (K)	Lumen Flux (lm)
ZFS-8500-CW	Cool White	300	12	21.60	1800	120°	6000	1092
ZFS-8500-NW	Neutral White	300	12	21.60	1800	120°	4100	1014
ZFS-8500-WW	Warm White	300	12	21.60	1800	120°	3050	936

Circuit Diagram



X-ON Electronics

Largest Supplier of Electrical and Electronic Components

Click to view similar products for [LED Lighting Bars and Strips](#) category:

Click to view products by [JKL](#) manufacturer:

Other Similar products are found below :

[ZLF0310W62524](#) [LF1D-F2F-2W-300](#) [HH-SWW528F210W12-COB IP65](#) [HH-SG528F010W24-COB IP20](#) [LF2D-EN2F-2W-A](#) [10001622](#)
[LFBHL-SW860-24V-8S63-20](#) [LFBHL-SW940-24V-8S63-20](#) [HH-SRGB60F010W24-5050M](#) [N006120BB1LZ \(GREEN\)](#) [N006120BB1LZ](#)
[\(ICE BLUE\)](#) [N006120BB1LZ \(RED\)](#) [N006120BC1LZ \(BLUE\)](#) [N006120BC1LZ \(GREEN\)](#) [N006120BC1LZ \(RED\)](#) [RF-G27HI3510-](#)
[241202081-A0 IP20](#) [S010030CB3SB7](#) [S010030CB3SB7 \(BLACK PCB\)](#) [S010060CB1LZ \(NEUTRAL WHITE IP65\)](#) [S010060CB1LZ](#)
[\(WARM WHITE IP65\)](#) [S010060CB3SB7](#) [S010060CC1LZ \(WARM WHITE IP65\)](#) [S012060CB4ST \(BLACK PCB\)](#) [L202-3080033C30001](#)
[00219015](#) [10001611](#) [10001612](#) [10001613](#) [10001617](#) [10001619](#) [10001623](#) [10001655](#) [10001657](#) [10001661](#) [10001664](#) [10001670](#) [10001674](#)
[10001675](#) [10001681](#) [10001683](#) [10001690](#) [PUUA-100LLL-NK2P](#) [QAUR1161L030](#) [HC-F12V-3535 PCBA](#) [HC-F12V-F50-3L-WS2811](#) [HC-](#)
[F12V-WS2811-3535](#) [HC-F5V-144L-144LED-B-WS2813 IP65](#) [HC-F5V-144L-144LED-W/IP65](#) [HC-F5V-144L-144LED-W-WS2813 IP20](#)
[HC-F5V-30L-30LED-B-WS2813 IP20](#)