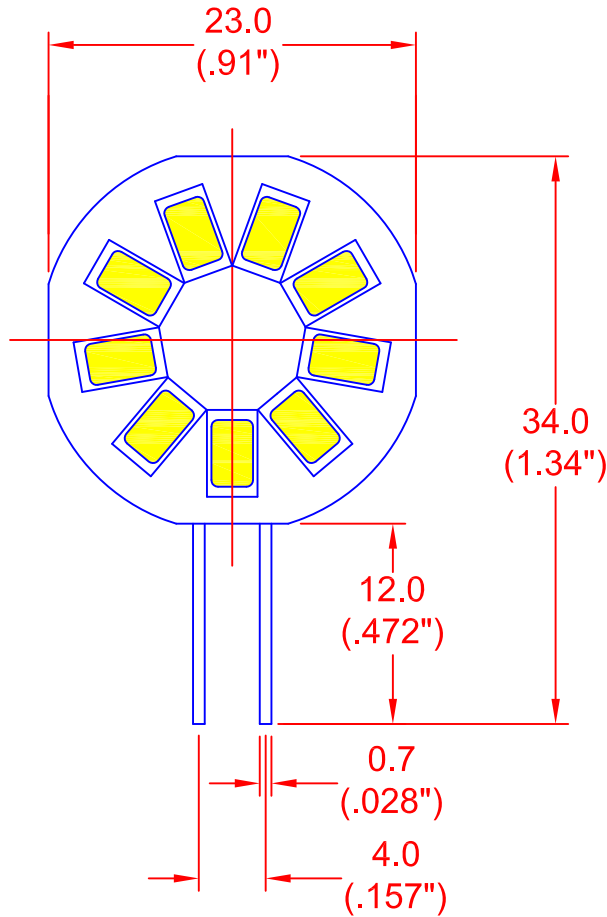


FEATURES

NON-POLARIZED
 24V DC OPERATION
 12V AC OR DC OPERATION
 CRI = 80

REV.	DESCRIPTION/ECO NO.	DATE
	RELEASE AND CANCEL PL-1306-02	7/15/13



Absolute Maximum Rating at TA = 25°C

Parameter	Symbol	Absolute Maximum Rating	Unit
Forward Current	IF	125	mA
Power Dissipation	PD	1.65	W
Electrostatic Discharge	ESD	120	V
Operating Temperature	Topr	-20~+40	°C
Storage Temperature	Tstg	-20~+90	°C

Electrical/Optical Characteristics at TA = 25°C

Parameter	Symbol	Condition	Min	Typ	Max	Unit
Forward Current DC	IF	VF = 12V DC	--	125	--	mA
Recommend Forward Voltage	VF(rec) DC	--	10	12	30	V

JKL Part Number	Watts (W)	Light Output (lm)	Light Color (K)	Beam Angle (Degree)
Z-G4-9CW	1.5±10%	130±10%	6000K	120
Z-G4-9WW		120±10%	3000K	120

NOTE: OVERALL THICKNESS OF ASSEMBLY IS LESS THAN 10mm (.394").

ACCESSORIES

SOCKET: JKL 2993-G5
 2993-G6

<p>METRIC THIRD ANGLE PROJECTION</p>	DIMENSIONS ARE IN MILLIMETERS (INCH) TOLERANCE UNLESS OTHERWISE SPECIFIED 1 PL +/- REF. 2 PL +/- ANGLE +/- 0		<h1>JKL COMPONENTS CORPORATION</h1>			
			TITLE <h2>G-4 LED ASSEMBLY LOW VOLTAGE, AC/DC</h2>			
DRAWN BY L. WENGSTROM	APP'D BY L.R.	DATE 7/15/13	SIZE A	FSCM NO. 55335	DRAWING NO. Z-G4-9 MULTI	
- CAD DRAWING - MANUAL REVISIONS NOT PERMITTED			SCALE NONE	RELEASED DATE 7/15/13	REVISION DATE	REV. NO. SHEET 1 OF 1

X-ON Electronics

Largest Supplier of Electrical and Electronic Components

Click to view similar products for [LED Lighting Modules](#) category:

Click to view products by [JKL](#) manufacturer:

Other Similar products are found below :

[CDM-14-3018-90-36-DW01](#) [LPS1-01C24-4070-00](#) [XHP50A-0L-02-0D0BH430E](#) [28085](#) [LMH020-0850-27G9-00000SS](#) [LMH020-0850-27G9-00001SS](#) [LMH020-1250-27G9-00001SS](#) [LMH020-2000-27G9-00001SS](#) [LMH020-3000-27G9-00000SS](#) [LMH020-6000-30G9-00001TW](#) [LMH020-6000-40G9-00001TW](#) [LMH020-8000-30G9-00001TW](#) [LMH020-8000-40G9-00001TW](#) [LMH02B-1250-30G9-00000TW](#) [LMH02B-3000-35G9-00001TW](#) [LMH02B-3000-40G9-00001TW](#) [LMR020-0650-35F9-20100TW](#) [LLT-3R](#) [Z-G4-15WW](#) [ZM-1610-CW](#) [ZM-189-CW](#) [ZM-6223-CW](#) [ZRS-8480-CW](#) [ZRS-8480-WW](#) [L218-3080024C30000](#) [L218-3080048C00000](#) [L218-3580024C30000](#) [L218-3580048C00000](#) [L218-4080024C30000](#) [L218-4090024C30000](#) [L218-4090048C00000](#) [L218-5080024C30000](#) [L2M0-4070003MC3300](#) [L2M0-4070004MC2200](#) [L2M0-5070003MC3300](#) [L2M0-5770005MC3300](#) [CBM-120-FR-C15-RA100](#) [CBM-120-UV-C31-K380-21](#) [CBM-120-UV-X31-I365-22](#) [CBM-120-UV-X31-L400-22](#) [CBM-90-IRD-X33-K850](#) [CBT-120-G-C11-JK200](#) [CBT-140-WCS-L16-UA120](#) [CBT-140-WCS-L16-UA122](#) [CBT-140-WCS-L16-UA123](#) [CBT-140-WDH-L16-QB220](#) [CBT-90-B-L11-G100](#) [CBT-90-B-L11-H101](#) [CBT-90-B-L11-J101](#) [CBT-90-G-L11-CM101](#)