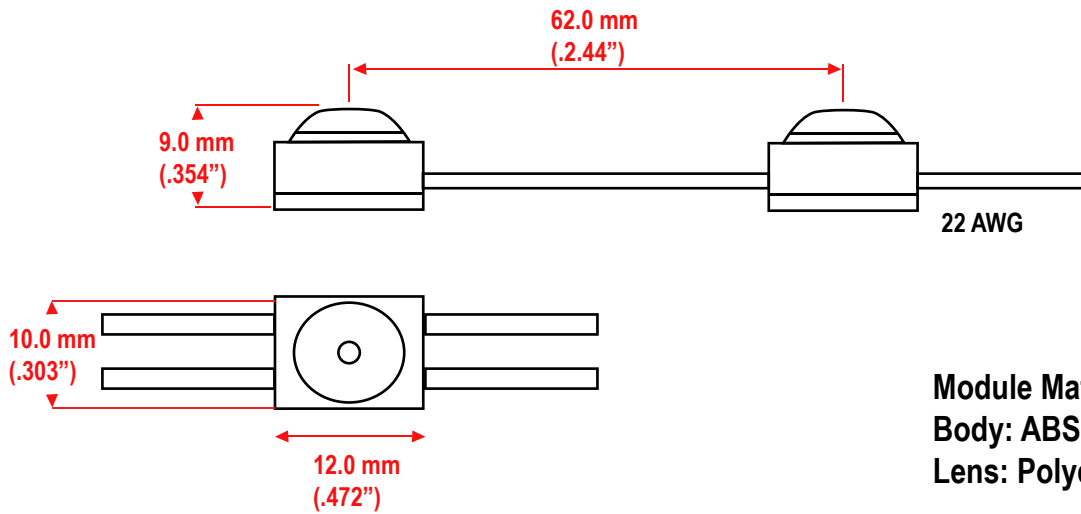
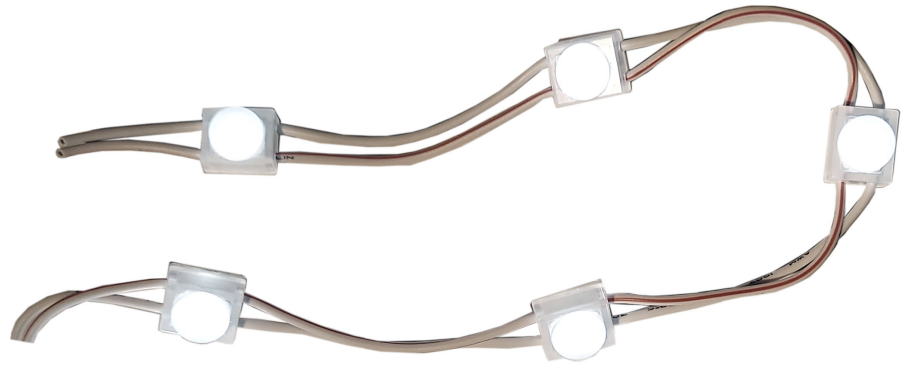


FEATURES

- 12VDC
- IP67 Waterproof
- 160° Wide Beam
- 50 Modules Per Strand
- 3M Tape Mounting

MINI LED SIGN MODULE



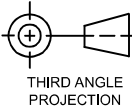
Module Material
Body: ABS, UL94-0
Lens: Polycarbonate

JKL Part Number	Input Voltage	Power per Module	CCT	Beam Angle	Lumen Flux Per Module	Modules Per Strand
ZM-129-CW	12VDC	0.36 W	6,000°K	160°	33	50

THERMAL:
 Operating Temperature: -20°C ~ 50°C
 Storage Temperature: -20°C ~ 60°C

NOTES:

- Mounting can be accomplished with double sided tape that is on the backside of the modules.
- Wire with Red Stripe is Positive Input.
- Use no more than 50 modules per run. If more modules are required, use another run in parallel to connect more.
- Take care to prevent exposed wires on the ends.

		METRIC  THIRD ANGLE PROJECTION		DIMENSIONS ARE IN mm (INCHES) TOLERANCE UNLESS OTHERWISE SPECIFIED 1 PL +/- REF. 2 PL +/- REF. ANGLE +/-		JKL COMPONENTS CORPORATION				
						TITLE MINI LED SIGN MODULE				
		DRAWN BY S Newton		APPV'D BY DATE JV 4/21/23		SIZE A	FSCM NO. 55335	DRAWING NO. ZM-129-CW		
REV. NO.	DESCRIPTION/ECO NUMBER	APPV'D DATE			SCALE NONE	RELEASED DATE 4/21/23	REVISION	REV. NO.	SHEET 1 OF 1	

X-ON Electronics

Largest Supplier of Electrical and Electronic Components

Click to view similar products for [LED Lighting Modules](#) category:

Click to view products by [JKL](#) manufacturer:

Other Similar products are found below :

[CDM-14-3018-90-36-DW01](#) [CBT-90-G-L11-CM101-R2](#) [CBT-90-B-L11-H100](#) [1800812230](#) [Z-G4-9WW](#) [Z-G4-9CW](#) [CDM-14-3018-90-36-DW02](#) [LMH02B-3000-30G9-00000TW](#) [SBR-90-R-R75-HN101](#) [SBR-70-G-R75-JK202](#) [SBR-70-B-R75-KG300](#) [PT-40-RAX-L55-MPK](#) [PT-40-B-L51-EPJ](#) [PT-39-DR-L51-BD100](#) [PT-121-RAX-L15-MPK](#) [PT-121-B-L11-EPG](#) [PT-120-RAX-L15-MPK](#) [CTM-9-6527-90-36-TW01](#) [CTM-9-4018-90-36-TW01](#) [CTM-22-6527-90-36-TW01](#) [CTM-22-4018-90-36-TW01](#) [CTM-18-6527-90-36-TW01](#) [CTM-14-6527-90-36-TW01](#) [CTM-14-4018-90-36-TW01](#) [CFT-90-WSS-X11-VB700](#) [CFT-90-WSS-X11-VA700](#) [CFT-90-WSS-X11-UA900](#) [CFT-90-WDS-X11-VA500](#) [CFT-90-WDS-X11-UB501](#) [CFT-90-WCS-X11-VA601](#) [CFT-90-WCS-X11-UA601](#) [CFT-90-WCS-X11-UA600](#) [CDM-9-3018-90-36-DW01](#) [CDM-6-3018-90-18-DW02](#) [CDM-6-3018-90-18-DW01](#) [CDM-18-4027-90-36-DW02](#) [CDM-18-3018-90-36-DW01](#) [CDM-14-4027-90-36-DW02](#) [CBT-90-RX-L15-BM100](#) [LE UW U1A3](#) [XHP50A-0L-02-0D0BH430E](#) [28085](#) [PTL110S-FF100TD3-QP150](#) [PTL110S-FF100TD3-QPS150](#) [LMH020-0850-30G9-00001TW](#) [LMH020-8000-30G9-00001TW](#) [LMH02B-1250-40G9-00000TW](#) [LLT-3R](#) [LLT3-WW](#) [Z-G4-15WW](#)