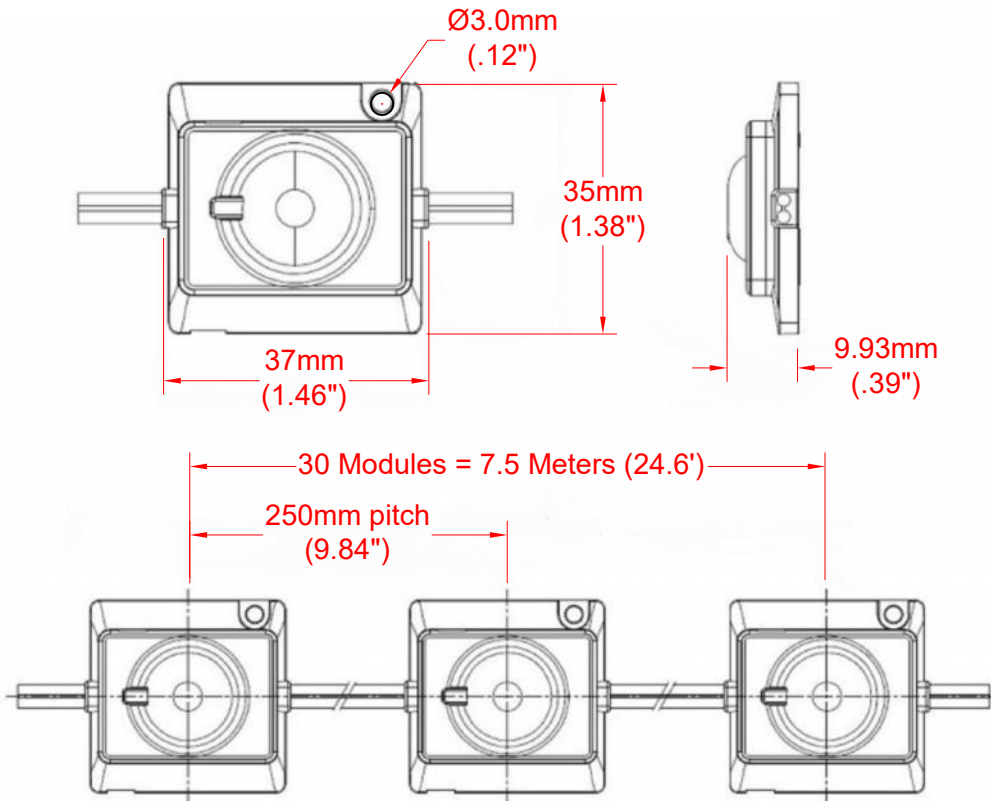


# 165° WIDE BEAM LED CHANNEL for MEDIUM or LARGE SIGN BOXES

## FEATURES

- 12V DC
- IP67
- 50,000 Life Hours/5 Year Warranty
- 108 lm/W High Efficacy
- Operating Temperature -20°C to +50°C
- 165° Wide Beam
- 30 Modules Per Strand



### NOTES:

1. Mounting can be accomplished with double sided tape that is on the backside of modules. Screw holes are also present.
2. Wire with Red Stripe is Positive Input.
3. Use no more than 30 modules in series.
4. Take care to prevent exposed wire on the ends.



JKL Part Number	Input Voltage	Power per Module	CCT	Beam Angle	CRI	Lumen Flux Per Module	Lumen Efficacy	No. Modules Per a Pack
ZM-180-CW	12V DC	1.3 W	6500K	165°	Ra80	140 lm	108 lm/W	30/7.5 Meters

			METRIC	DIMENSIONS ARE IN mm (INCHES)		<b>JKL COMPONENTS CORPORATION</b>				
				TOLERANCE UNLESS OTHERWISE SPECIFIED		TITLE				
			THIRD ANGLE PROJECTION	1 PL +/- REF. 2 PL +/- REF. ANGLE +/-		WIDE BEAM LED CHANNEL MODULE				
DRAWN BY			APPV'D BY	DATE	SIZE	FSCM NO.	DRAWING NO.			
L. WENGSTROM			S.C.	9/14/19	A	55335	ZM-180-CW			
RELEASED			9/14/19	- CAD DRAWING -		SCALE	RELEASED DATE	REVISION DATE	REV. NO.	SHEET
DESCRIPTION/ECO NUMBER			APPV'D DATE	MANUAL REVISIONS NOT PERMITTED		NONE	9/14/19			1 OF 1

## X-ON Electronics

Largest Supplier of Electrical and Electronic Components

*Click to view similar products for [LED Lighting Bars and Strips](#) category:*

*Click to view products by [JKL](#) manufacturer:*

Other Similar products are found below :

[ZLF0310W62524](#) [LF1D-F2F-2W-300](#) [HH-SWW528F210W12-COB IP65](#) [HH-SG528F010W24-COB IP20](#) [LF2D-EN2F-2W-A](#) [10001622](#)  
[LFBHL-SW860-24V-8S63-20](#) [LFBHL-SW940-24V-8S63-20](#) [HH-SRGB60F010W24-5050M](#) [N006120BB1LZ \(GREEN\)](#) [N006120BB1LZ](#)  
[\(ICE BLUE\)](#) [N006120BB1LZ \(RED\)](#) [N006120BC1LZ \(BLUE\)](#) [N006120BC1LZ \(GREEN\)](#) [N006120BC1LZ \(RED\)](#) [RF-G27HI3510-](#)  
[241202081-A0 IP20](#) [S010030CB3SB7](#) [S010030CB3SB7 \(BLACK PCB\)](#) [S010060CB1LZ \(NEUTRAL WHITE IP65\)](#) [S010060CB1LZ](#)  
[\(WARM WHITE IP65\)](#) [S010060CB3SB7](#) [S010060CC1LZ \(WARM WHITE IP65\)](#) [S012060CB4ST \(BLACK PCB\)](#) [L202-3080033C30001](#)  
[00219015](#) [10001611](#) [10001612](#) [10001613](#) [10001617](#) [10001619](#) [10001623](#) [10001655](#) [10001657](#) [10001661](#) [10001664](#) [10001670](#) [10001674](#)  
[10001675](#) [10001681](#) [10001683](#) [10001690](#) [PUUA-100LLL-NK2P](#) [QAUR1161L030](#) [HC-F12V-3535 PCBA](#) [HC-F12V-F50-3L-WS2811](#) [HC-](#)  
[F12V-WS2811-3535](#) [HC-F5V-144L-144LED-B-WS2813 IP65](#) [HC-F5V-144L-144LED-W/IP65](#) [HC-F5V-144L-144LED-W-WS2813 IP20](#)  
[HC-F5V-30L-30LED-B-WS2813 IP20](#)