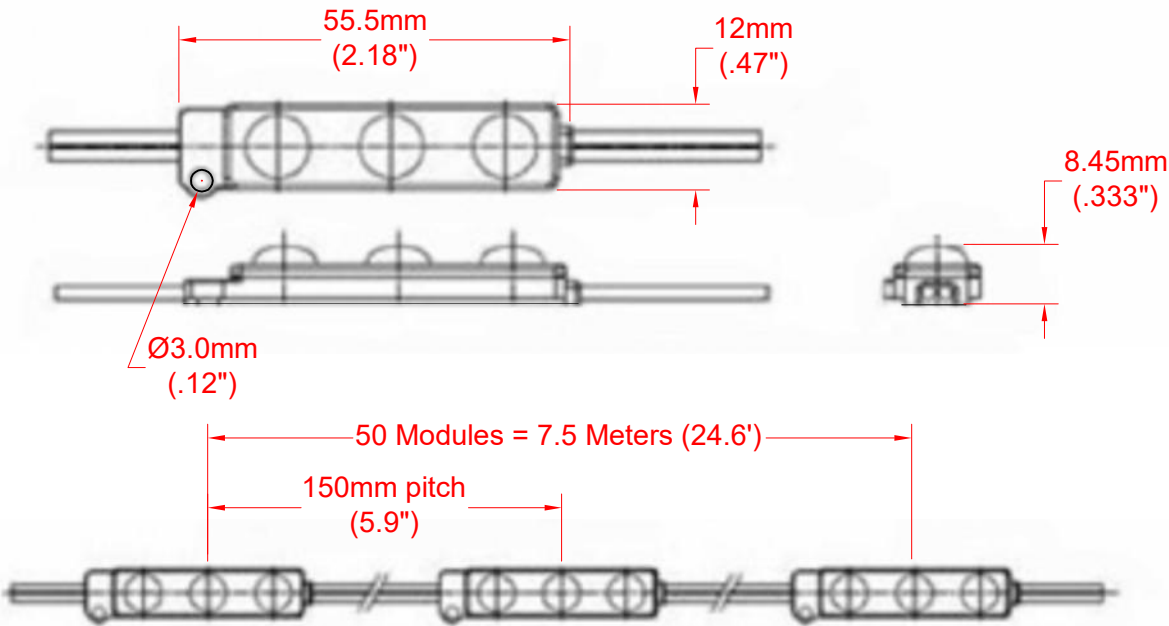


170° WIDE BEAM LED CHANNEL for SMALL or MEDIUM CHANNEL LETTERS and SIGN BOXES

FEATURES

- 12V DC
- IP67
- 50,000 Life Hours/5 Year Warranty
- 115 lm/W High Efficacy
- Operating Temperature -20°C to +70°C
- 170° Wide Beam
- 50 Modules Per Strand
- Can be Produced in Various Colors



NOTES:

- Mounting can be accomplished with double sided tape that is on the backside of modules. Screw holes are also present.
- Wire with Red Stripe is Positive Input.
- Use no more than 50 modules in series.
- Take care to prevent exposed wire on the ends.



JKL Part Number	Input Voltage	Power per Module	CCT	Beam Angle	CRI	Lumen Flux Per Module	Lumen Efficacy	No. Modules Per a Pack
ZM-333-CW	12V DC	0.66 W	6500K	170°	Ra80	76 lm	115 lm/W	50/7.5 Meters

			METRIC	DIMENSIONS ARE IN mm (INCHES)		JKL COMPONENTS CORPORATION						
				TOLERANCE UNLESS OTHERWISE SPECIFIED		TITLE						
			THIRD ANGLE PROJECTION	1 PL +/- REF. 2 PL +/- REF. ANGLE +/-		WIDE BEAM LED CHANNEL MODULE						
DRAWN BY			APPV'D BY	DATE	SIZE	FSCM NO.	DRAWING NO.					
RELEASED			L. WENGSTROM	S.C.	9/14/19	A	55335	ZM-333-CW				
REV. NO.			DESCRIPTION/ECO NUMBER		APPV'D DATE	- CAD DRAWING - MANUAL REVISIONS NOT PERMITTED		SCALE	RELEASED DATE	REVISION DATE	REV. NO.	SHEET
						NONE		9/14/19				1 of 1

X-ON Electronics

Largest Supplier of Electrical and Electronic Components

Click to view similar products for [LED Lighting Bars and Strips](#) category:

Click to view products by [JKL](#) manufacturer:

Other Similar products are found below :

[ZLF0310W62524](#) [LF1D-F2F-2W-300](#) [HH-SWW528F210W12-COB IP65](#) [HH-SG528F010W24-COB IP20](#) [LF2D-EN2F-2W-A](#) [10001622](#)
[LFBHL-SW827-24V-8S63-20](#) [LFBHL-SW860-24V-8S63-20](#) [LFBHL-SW940-24V-8S63-20](#) [HH-SRGB60F010W24-5050M](#) [N006120BB1LZ](#)
[\(GREEN\)](#) [N006120BB1LZ \(ICE BLUE\)](#) [N006120BB1LZ \(RED\)](#) [N006120BC1LZ \(BLUE\)](#) [N006120BC1LZ \(GREEN\)](#) [N006120BC1LZ](#)
[\(RED\)](#) [RF-G27HI3510-241202081-A0 IP20](#) [S010030CB3SB7](#) [S010030CB3SB7 \(BLACK PCB\)](#) [S010060CB1LZ \(NEUTRAL WHITE IP65\)](#)
[S010060CB1LZ \(WARM WHITE IP65\)](#) [S010060CB3SB7](#) [S010060CC1LZ \(WARM WHITE IP65\)](#) [S012060CB4ST \(BLACK PCB\)](#) [L202-](#)
[3080033C30001](#) [00219015](#) [10001611](#) [10001612](#) [10001613](#) [10001617](#) [10001619](#) [10001623](#) [10001655](#) [10001657](#) [10001661](#) [10001664](#)
[10001670](#) [10001674](#) [10001675](#) [10001681](#) [10001683](#) [10001690](#) [PUUA-100LLL-NK2P](#) [QAUR1161L030](#) [HC-F12V-3535 PCBA](#) [HC-F12V-](#)
[F50-3L-WS2811](#) [HC-F12V-WS2811-3535](#) [HC-F5V-144L-144LED-B-WS2813 IP65](#) [HC-F5V-144L-144LED-W/IP65](#) [HC-F5V-144L-](#)
[144LED-W-WS2813 IP20](#)