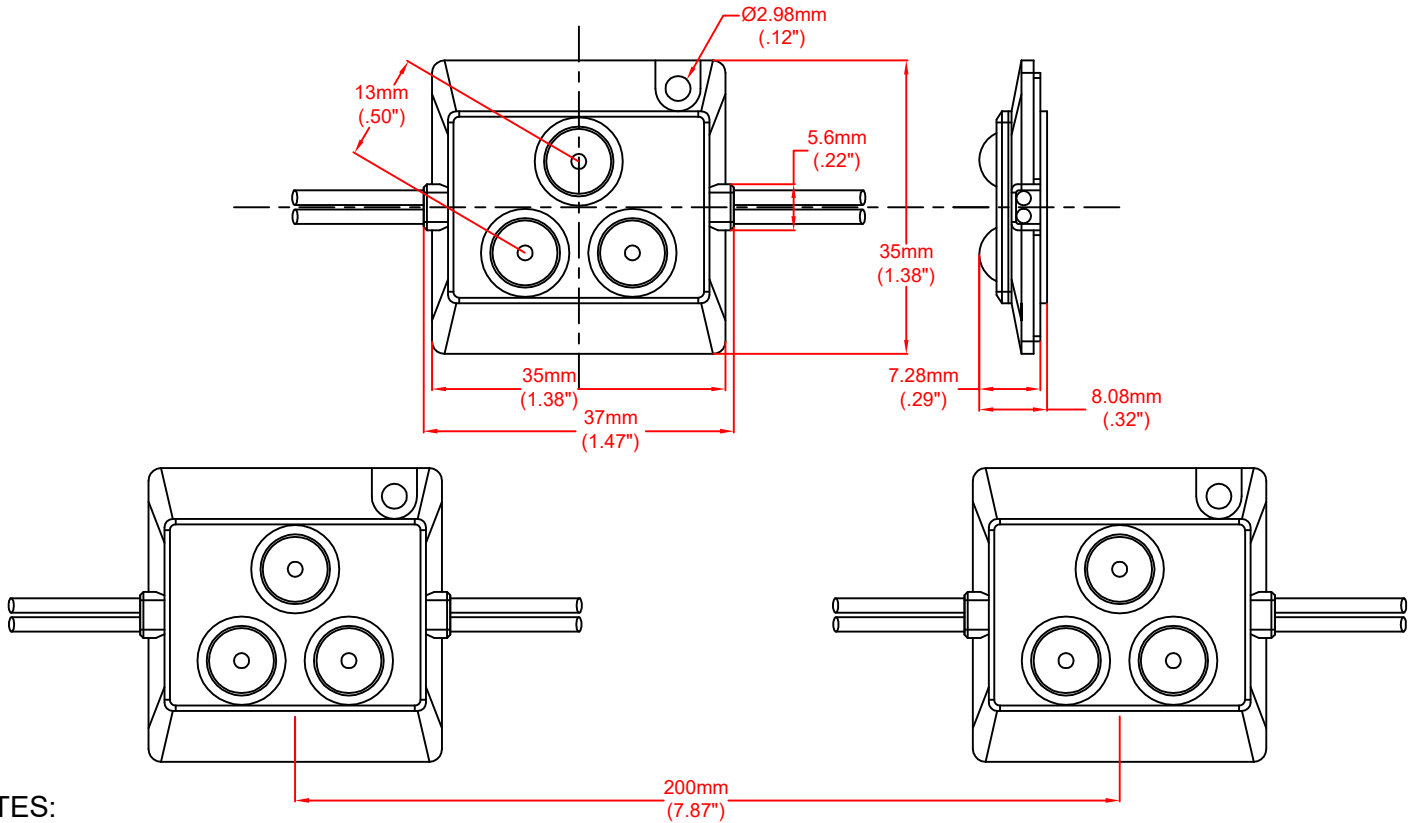


WIDE BEAM LED CHANNEL MODULE

FEATURES

- WIDE BEAM ANGLE (160°)
- LONG LIFE 50,000 HOURS TO L70
- EASY INSTALLATION
- WATER RESISTANT IP67
- LOW WORKING VOLTAGE 12 VDC
- 5 YEAR WARRANTY
- OPERATING TEMPERATURE -20°C TO +70°C
- STANDARD PACKAGING: 30 MODULES PER STRAND / 6 METERS



NOTES:

1. Double Sided Tape on Backside of Modules.
2. Use a Number 3 Screw for Mounting.
3. Wire with Red Stripe is Positive Input
4. 20 AWG Wire.
5. Use no more than 50 Modules in Series.
6. Can be used with a ZPS-1260 Power Supply.



SPECIFICATIONS

JKL Module Part Number	Input Voltage	Power Per Module	CCT	Beam Angle	CRI	Luminus Flux Per Module
ZM-3537-CW	12 VDC	1 Watt	6500K	160°	80	100 lm

JKL PART NUMBER: ZM-3537-CW

ATTENTION



OBSERVE PRECAUTION FOR HANDLING ELECTROSTATIC DISCHARGE SENSITIVE DEVICES

METRIC THIRD ANGLE PROJECTION		DIMENSIONS ARE IN mm (INCHES) TOLERANCE UNLESS OTHERWISE SPECIFIED 1 PL +/- REF. 2 PL +/- ANGLE +/-		JKL COMPONENTS CORPORATION TITLE WIDE BEAM LED CHANNEL MODULE					
DRAWN BY L. WENGSTROM	APPV'D BY S.N.	DATE 9/16/19	SIZE A	FSCM NO. 55335	DRAWING NO. ZM-3537-CW	RELEASED DATE 7/21/15	REVISION DATE 9/16/19	REV. NO. B	SHEET 1 OF 1
- CAD DRAWING - MANUAL REVISIONS NOT PERMITTED			SCALE NONE	RELEASED DATE 7/21/15	REVISION DATE 9/16/19	REV. NO. B	SHEET 1 OF 1		

REV. NO.	DESCRIPTION/ECO NI IMRFR	APPV'D DATE
B	ADD CANADIAN-US SYMBOL	9/16/19
A	ADD UL CERTIFICATION	8/12/15
	RELEASE	7/21/15

X-ON Electronics

Largest Supplier of Electrical and Electronic Components

Click to view similar products for [LED Lighting Bars and Strips](#) category:

Click to view products by [JKL](#) manufacturer:

Other Similar products are found below :

[ZLF0310W62524](#) [LF1D-F2F-2W-300](#) [HH-SWW528F210W12-COB IP65](#) [HH-SG528F010W24-COB IP20](#) [LF2D-EN2F-2W-A](#) [10001622](#)
[LFBHL-SW827-24V-8S63-20](#) [LFBHL-SW860-24V-8S63-20](#) [LFBHL-SW940-24V-8S63-20](#) [HH-SRGB60F010W24-5050M](#) [N006120BB1LZ](#)
[\(GREEN\)](#) [N006120BB1LZ \(ICE BLUE\)](#) [N006120BB1LZ \(RED\)](#) [N006120BC1LZ \(BLUE\)](#) [N006120BC1LZ \(GREEN\)](#) [N006120BC1LZ](#)
[\(RED\)](#) [RF-G27HI3510-241202081-A0 IP20](#) [S010030CB3SB7](#) [S010030CB3SB7 \(BLACK PCB\)](#) [S010060CB1LZ \(NEUTRAL WHITE IP65\)](#)
[S010060CB1LZ \(WARM WHITE IP65\)](#) [S010060CB3SB7](#) [S010060CC1LZ \(WARM WHITE IP65\)](#) [S012060CB4ST \(BLACK PCB\)](#) [L202-](#)
[3080033C30001](#) [00219015](#) [10001611](#) [10001612](#) [10001617](#) [10001619](#) [10001623](#) [10001655](#) [10001657](#) [10001661](#) [10001664](#) [10001670](#)
[10001674](#) [10001675](#) [10001681](#) [10001683](#) [10001690](#) [PUUA-100LLL-NK2P](#) [QAUR1161L030](#) [HC-F12V-3535 PCBA](#) [HC-F12V-F50-3L-](#)
[WS2811](#) [HC-F12V-WS2811-3535](#) [HC-F5V-144L-144LED-B-WS2813 IP65](#) [HC-F5V-144L-144LED-W/IP65](#) [HC-F5V-144L-144LED-W-](#)
[WS2813 IP20](#) [HC-F5V-30L-30LED-B-WS2813 IP20](#)