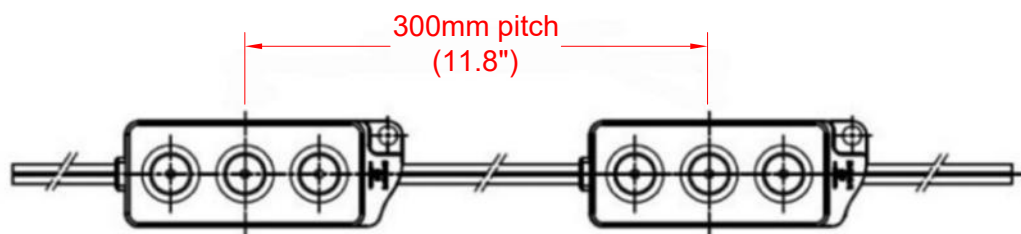
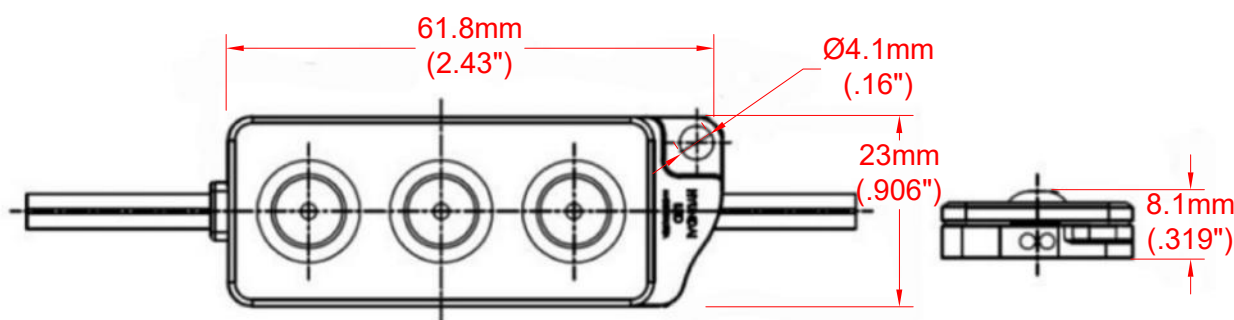


165° WIDE BEAM LED CHANNEL for MEDIUM or LARGE SIGN BOXES

FEATURES

- 24V DC
- IP67
- 50,000 Life Hours/5 Year Warranty
- 115 lm/W High Efficacy
- Operating Temperature -20°C to +50°C
- 165° Wide Beam
- 20 Modules Per Strand



20 Modules =
6 Meters (19.7')

NOTES:

1. Mounting can be accomplished with double sided tape that is on the backside of modules. Screw holes are also present.
2. Wire with Red Stripe is Positive Input.
3. Use no more than 20 modules in series.
4. Take care to prevent exposed wire on the ends.



JKL Part Number	Input Voltage	Power per Module	CCT	Beam Angle	CRI	Lumen Flux Per Module	Lumen Efficacy	No. Modules Per a Pack
ZM-359-CW	24V DC	1.6 W	6500K	165°	Ra80	185 lm	115 lm/W	20/6 Meters

		DIMENSIONS ARE IN mm (INCHES) TOLERANCE UNLESS OTHERWISE SPECIFIED 1 PL +/- REF. 2 PL +/- REF. ANGLE +/-		JKL COMPONENTS CORPORATION				
THIRD ANGLE PROJECTION				TITLE WIDE BEAM LED CHANNEL MODULE				
DRAWN BY L. WENGSTROM		APPVD BY DATE S.C. 9/15/19		SIZE A	FSCM NO. 55335	DRAWING NO. ZM-359-CW		
RELEASED 9/15/19		- CAD DRAWING - MANUAL REVISIONS NOT PERMITTED		SCALE NONE	RELEASED DATE 9/15/19	REVISION DATE	REV. NO.	SHEET 1 OF 1

X-ON Electronics

Largest Supplier of Electrical and Electronic Components

Click to view similar products for [LED Lighting Bars and Strips](#) category:

Click to view products by [JKL](#) manufacturer:

Other Similar products are found below :

[ZLF0310W62524](#) [LF1D-F2F-2W-300](#) [HH-SWW528F210W12-COB IP65](#) [HH-SG528F010W24-COB IP20](#) [LF2D-EN2F-2W-A](#) [10001622](#)
[LFBHL-SW860-24V-8S63-20](#) [LFBHL-SW940-24V-8S63-20](#) [HH-SRGB60F010W24-5050M](#) [N006120BB1LZ \(GREEN\)](#) [N006120BB1LZ](#)
[\(ICE BLUE\)](#) [N006120BB1LZ \(RED\)](#) [N006120BC1LZ \(BLUE\)](#) [N006120BC1LZ \(GREEN\)](#) [N006120BC1LZ \(RED\)](#) [RF-G27HI3510-](#)
[241202081-A0 IP20](#) [S010030CB3SB7](#) [S010030CB3SB7 \(BLACK PCB\)](#) [S010060CB1LZ \(NEUTRAL WHITE IP65\)](#) [S010060CB1LZ](#)
[\(WARM WHITE IP65\)](#) [S010060CB3SB7](#) [S010060CC1LZ \(WARM WHITE IP65\)](#) [S012060CB4ST \(BLACK PCB\)](#) [L202-3080033C30001](#)
[00219015](#) [10001611](#) [10001612](#) [10001613](#) [10001617](#) [10001619](#) [10001623](#) [10001655](#) [10001657](#) [10001661](#) [10001664](#) [10001670](#) [10001674](#)
[10001675](#) [10001681](#) [10001683](#) [10001690](#) [PUUA-100LLL-NK2P](#) [QAUR1161L030](#) [HC-F12V-3535 PCBA](#) [HC-F12V-F50-3L-WS2811](#) [HC-](#)
[F12V-WS2811-3535](#) [HC-F5V-144L-144LED-B-WS2813 IP65](#) [HC-F5V-144L-144LED-W/IP65](#) [HC-F5V-144L-144LED-W-WS2813 IP20](#)
[HC-F5V-30L-30LED-B-WS2813 IP20](#)