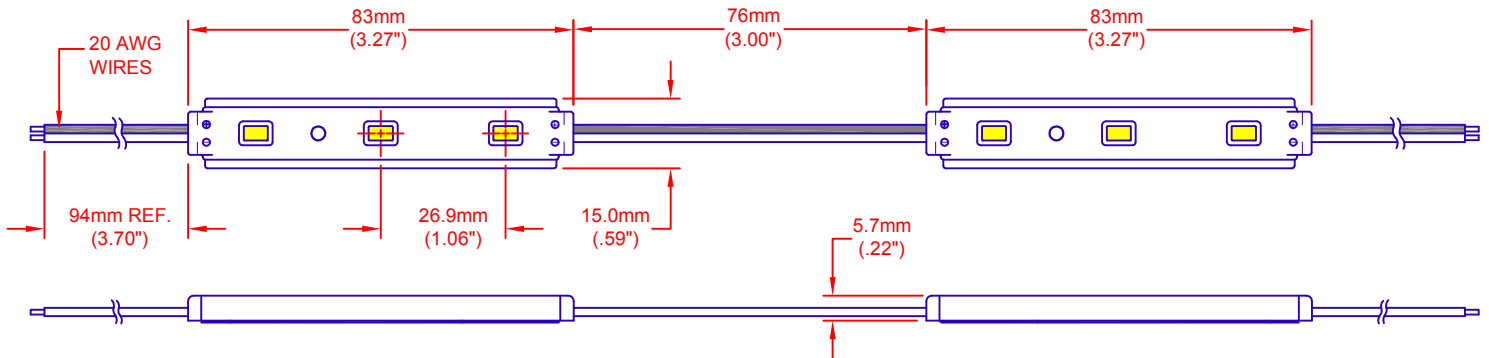


## FEATURES

- VOLTAGE: 12V DC PER MODULE
- CURRENT: 100mA PER MODULE
- LED VIEWING ANGLE (2 θ 1/2): 120°
- MODULE THICKNESS: 6.0mm
- PACKAGE: 20 PIECES PER REEL
- WATER RESISTANCE - IP67

## 83.0mm X 15mm WATER RESISTANT LED MODULES



WIRES: WHITE WITH RED STRIP IS V+, PLAIN WHITE IS V-

### Absolute Maximum Rating at TA = 25°C

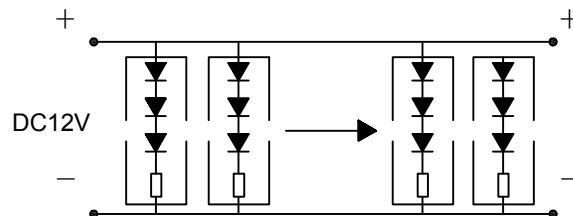
Parameter	Symbol	Absolute MAX. Rating	Unit
Forward Current	IF	100	mA
Power Dissipation	PD	1.2	W
Electrostatic Discharge	ESD	800	V
Operating Temperature	Topr	-20~+60	°C
Storage Temperature	Tstg	-25~+80	°C

### Electrical/Optical Characteristics at TA = 25°C

Parameter	Symbol	Condition	Min	Typ	Max	Unit
Forward Voltage DC	VF	IF = 100mA	--	12	--	V
Color Temperature	TC	IF = 100mA	--	9500	--	K
Luminous Flux per Module	φV/Mod	IF = 100mA	--	130	--	lm/mod
Luminous Flux per Ft.	φV/Ft	--	--	260	--	lm/ft
Recommend Forward Current	IF(rec)	--	--	100	--	mA

#### NOTES:

- STANDARD MOUNTING INCLUDES ADHESIVE BACKING AND MOUNTING HOLE FOR A #3 SCREW (SCREWS NOT INCLUDED).
- JKL ACCESSORIES TO BE ORDERED SEPARATELY: ZPS-1235 OR ZPS-1260 POWER SUPPLIES.
- DUE TO WIRE GAUGE USED IN THE CONSTRUCTION OF THE MODULES SERIAL RUNS SHOULD BE LIMITED TO 11 FEET OR 20 MODULES.
- POWER CONSUMPTION 2.4 WATTS PER FOOT.



PLEASE REFER TO JKL APPLICATION SHEET: JKL-AS-ZM-CHANNEL-LED FOR INSTALLATION AND POWER RECOMMENDATIONS.

JKL PART NO.: ZM-8315-CW

#### ATTENTION



OBSERVE PRECAUTION FOR HANDLING ELECTROSTATIC DISCHARGE SENSITIVE DEVICES

METRIC	DIMENSIONS ARE IN mm & (INCHES)
	TOLERANCE UNLESS OTHERWISE SPECIFIED 1 PL +/- REF. 2 PL +/- ANGLE +/-
THIRD ANGLE PROJECTION	
DRAWN BY	APP'VD BY DATE
L. WENGSTROM	L.R. 3/23/16
- CAD DRAWING -	
MANUAL REVISIONS NOT PERMITTED	

**JKL** COMPONENTS CORPORATION

TITLE  
**COOL WHITE 3-LED CHANNEL LIGHT**

REV. NO.	DESCRIPTION/ECO NUMBER	APP'VD DATE	SCALE	FSCM NO.	DRAWING NO.	RELEASED DATE	REVISION DATE	REV. NO.	SHEET
A	CHANGE COLOR TEMP TO 9500 TYP.	3/23/16		55335	ZM-8315-CW	2/28/16	3/23/16	A	1 OF 1
	RELEASED	2/28/16	NONE						

## X-ON Electronics

Largest Supplier of Electrical and Electronic Components

*Click to view similar products for [LED Lighting Modules](#) category:*

*Click to view products by [JKL](#) manufacturer:*

Other Similar products are found below :

[CDM-14-3018-90-36-DW01](#) [LPS1-01C24-4070-00](#) [XHP50A-0L-02-0D0BH430E](#) [28085](#) [LMH020-0850-27G9-00000SS](#) [LMH020-0850-27G9-00001SS](#) [LMH020-1250-27G9-00001SS](#) [LMH020-2000-27G9-00001SS](#) [LMH020-3000-27G9-00000SS](#) [LMH020-6000-30G9-00001TW](#) [LMH020-6000-40G9-00001TW](#) [LMH020-8000-30G9-00001TW](#) [LMH020-8000-40G9-00001TW](#) [LMH02B-1250-30G9-00000TW](#) [LMR020-0650-35F9-20100TW](#) [LLT-3R](#) [Z-G4-15WW](#) [ZM-1610-CW](#) [ZM-189-CW](#) [ZM-6223-CW](#) [ZRS-8480-CW](#) [ZRS-8480-WW](#) [L218-3080024C30000](#) [L218-3080048C00000](#) [L218-3580024C30000](#) [L218-3580048C00000](#) [L218-4080024C30000](#) [L218-4090024C30000](#) [L218-4090048C00000](#) [L218-5080024C30000](#) [L2M0-4070003MC3300](#) [L2M0-4070004MC2200](#) [L2M0-5070003MC3300](#) [L2M0-5770005MC3300](#) [CBM-120-FR-C15-RA100](#) [CBM-120-UV-C31-K380-21](#) [CBM-120-UV-X31-I365-22](#) [CBM-120-UV-X31-L400-22](#) [CBM-90-IRD-X33-K850](#) [CBT-120-G-C11-JK200](#) [CBT-140-WCS-L16-UA120](#) [CBT-140-WCS-L16-UA122](#) [CBT-140-WCS-L16-UA123](#) [CBT-140-WDH-L16-QB220](#) [CBT-140-WDH-L16-RA220](#) [CBT-90-B-L11-G100](#) [CBT-90-B-L11-H101](#) [CBT-90-B-L11-J101](#) [CBT-90-RX-L15-BN101](#) [CBT-90-W57H-C11-KB200](#)