

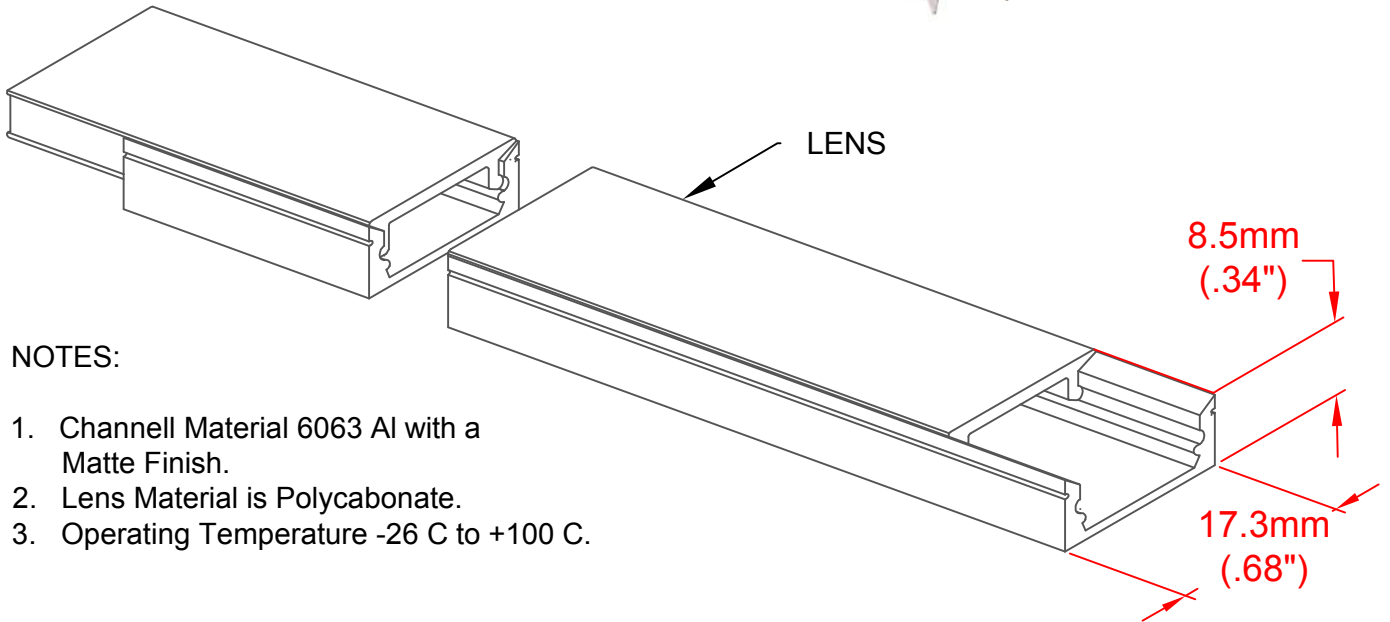
ALUMINUM LED CHANNEL

FEATURES:

Compatible with all 8,10, and 12mm wide LED flex ribbons.

Each Channel includes 2 End Caps.

Two High Temperature Lens Options:
Milk White or Semi Clear



NOTES:

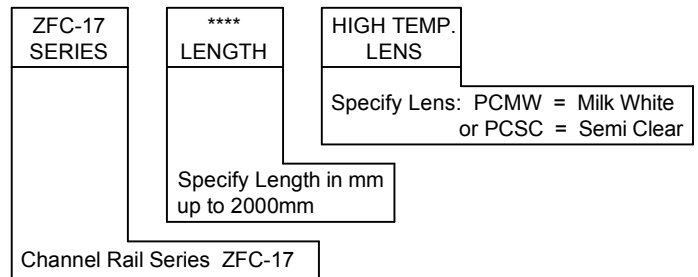
1. Channel Material 6063 Al with a Matte Finish.
2. Lens Material is Polycarbonate.
3. Operating Temperature -26 C to +100 C.

OPTIONAL ACCESSORIES
(Order Separate)



MOUNTING CLIP
JKL Part No.:
ZRC-17-MC

CHANNEL LENGTH AND LENS ORDERING GUIDE



JKL Part Number Example: ZFC-171000-PCMW
Channel Series with 1 Meter (1000mm) Length and High Temperature Polycarbonate Milk White Lens.

<p>THIRD ANGLE PROJECTION</p>			<p>METRIC</p> <p>DIMENSIONS ARE IN mm (INCHES)</p> <p>TOLERANCE UNLESS OTHERWISE SPECIFIED</p> <p>1 PL +/- REF.</p> <p>2 PL +/- REF.</p> <p>ANGLE +/-</p>		<p>JKL COMPONENTS CORPORATION</p> <p>TITLE</p> <p>ALUMINUM LED CHANNEL</p>												
<p>CHANGE FEATURES & OPT. ACCESS.</p> <p>RELEASE</p>			<p>DRAWN BY</p> <p>L. WENGSTROM</p>		<p>APPV'D BY</p> <p>S.C.</p>		<p>DATE</p> <p>8/5/15</p>		<p>SIZE</p> <p>A</p>		<p>FSCM NO.</p> <p>55335</p>		<p>DRAWING NO.</p> <p>ZFC-17-PC MULTI</p>				
<p>REV. NO.</p>			<p>DESCRIPTION/ECO NUMBER</p>			<p>APPV'D DATE</p>			<p>SCALE</p> <p>NONE</p>			<p>RELEASED DATE</p> <p>6/12/15</p>		<p>REVISION DATE</p> <p>8/5/15</p>		<p>REV. NO.</p> <p>A</p>	<p>SHEET</p> <p>1 OF 1</p>
<p>- CAD DRAWING -</p> <p>MANUAL REVISIONS NOT PERMITTED</p>																	

X-ON Electronics

Largest Supplier of Electrical and Electronic Components

Click to view similar products for [LED Lighting Mounting Accessories](#) category:

Click to view products by [JKL](#) manufacturer:

Other Similar products are found below :

[C16142_HEKLA-SOCKET-K](#) [3SU1401-1BG20-1AA0](#) [3SU1900-0BC31-0NB0](#) [ES16-RT](#) [1SFA616921R2042](#) [1SFA616921R2131](#)
[1SFA616921R2133](#) [1SFA616921R2143](#) [1SFA611621R1093](#) [B8910020](#) [D3980022](#) [E3990022](#) [E3990040](#) [CABI12 E BK 1M SET PRM](#)
[FLAT8 H/U BK 1M SET PRM](#) [BEGTIN12 J/S BK 1M SET PRM](#) [1-2213678-6](#) [C16791_CLAMP-Z45-A](#) [F17250_SOLDER-CLIP-A](#) [CM22-](#)
[4-20MA](#) [CM22-R10K-MT](#) [CM22-R1K](#) [CM22-R50K](#) [CM22-R5K-MT](#) [10465](#) [M22-A](#) [M22-CK11](#) [M22-CK20](#) [M22G-XGPV](#) [M22-K01](#)
[M22-LCH-W](#) [M22-LC-R](#) [M22-LED230-R](#) [M22-LED230-W](#) [M22-LEDC230-G](#) [M22-LEDC-G](#) [M22-LEDC-W](#) [M22-LED-G](#) [M22-LED-W](#)
[M22-L-G](#) [M22-LH-G](#) [M22-LH-R](#) [M22-LH-W](#) [M22-L-R](#) [M22-L-W](#) [M22-L-X](#) [M22-MS](#) [M22-R10K](#) [M22-R1K](#) [M22-R470K](#)