

# 8mm X 573.5mm RGB LED LIGHT BAR

## FEATURES

VOLTAGE: 12V DC.

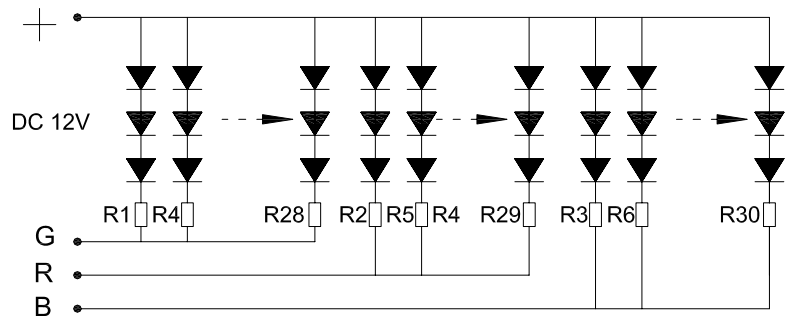
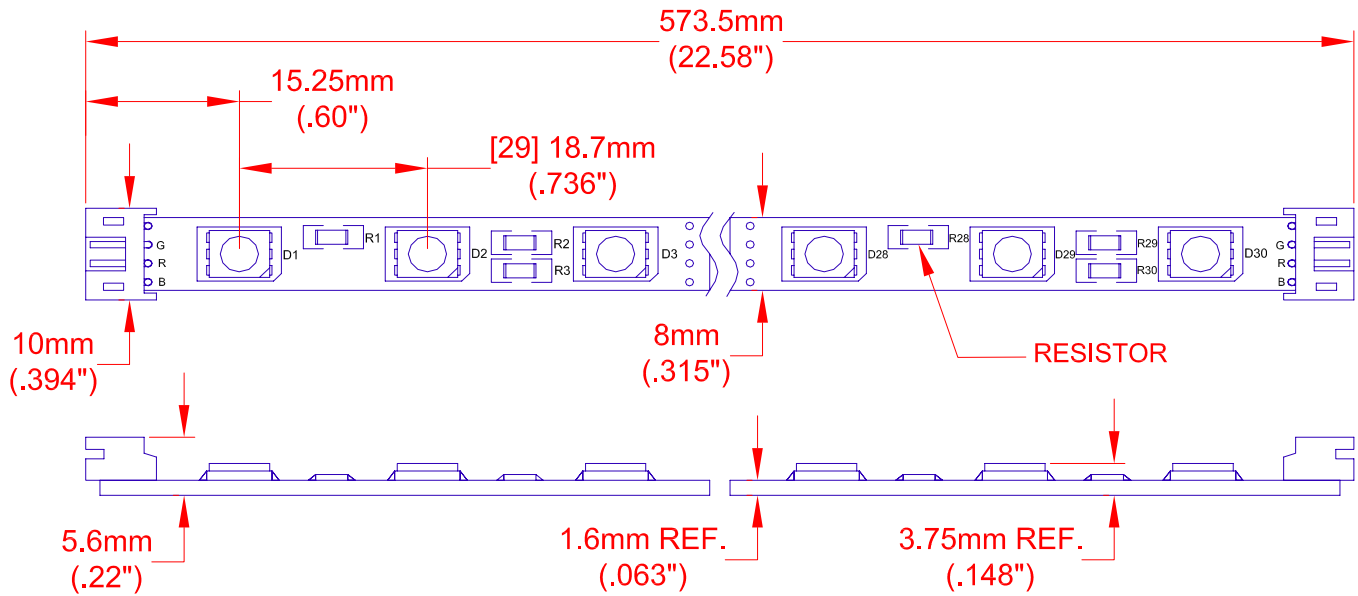
CURRENT: 600mA.

LED VIEWING ANGLE (2 θ 1/2): 100°.

PACKAGE: 1 PC/PVC TUBE.

PCB THICKNESS: 1.6mm

FULL COLOR CAPABILITY



### ATTENTION



OBSERVE PRECAUTION FOR HANDLING ELECTROSTATIC DISCHARGE SENSITIVE DEVICES

JKL PART NO.: ZRS-10573-RGB

<b>METRIC</b>  THIRD ANGLE PROJECTION		DIMENSIONS ARE IN MILLIMETERS TOLERANCE UNLESS OTHERWISE SPECIFIED 1 PL +/- REF. 2 PL +/- ANGLE +/-		<b>JKL COMPONENTS CORPORATION</b>			
DRAWN BY L. WENGSTROM		APPV'D BY S.C.		SIZE <b>A</b>	FSCM NO. <b>55335</b>	DRAWING NO. <b>ZRS-10573-RGB</b>	
REV. NO.		DESCRIPTION/ECO NUMBER		SCALE NONE	RELEASED DATE 12/11/07	REVISION DATE 3/12/08	
REV. NO.		APPV'D DATE		- CAD DRAWING - MANUAL REVISIONS NOT PERMITTED		REV. NO. <b>B</b>	
B ADD DIM'S & FEATURES 3/12/08		A ADD ACCESSORIES NOTE PG 2 1/31/08		RELEASED 12/11/07		SHEET 1 OF 2	

# 8mm X 573.5mm RGB LED LIGHT BAR

## Absolute Maximum Rating at TA = 25°C

Parameter	Symbol	Absolute Maximum Rating	Unit
Forward Current	IF	600	mA
Power Dissipation	PD	7.2	W
Electrostatic Discharge	ESD	800	V
Operating Temperature	Topr	-25~+60	°C
Storage Temperature	Tstg	-40~+80	°C

## Electrical/Optical Characteristics at TA = 25°C

Parameter	Symbol	Color	Condition	Min	Typ	Max	Unit
Forward Voltage DC	VF	RGB	IF = 600mA	--	12	--	V
Dominant Wavelength	$\lambda D$	R	IF = 200mA	--	624	--	nm
		G	IF = 200mA	--	518	--	
		B	IF = 200mA	--	471	--	
Luminous Flux	$\phi V$	R	IF = 200mA	--	21	--	lm
		G	IF = 200mA	--	55	--	
		B	IF = 200mA	--	21	--	
Recommend Forward Current	IF	--	--	--	600	--	mA

JKL ACCESSORIES TO BE ORDERED SEPARATELY:

PCB MOUNTING CLIP: **ZRC-8**

INPUT CONNECTOR HARNESS: **ZCH-110-RGB-I**

JOINER CONNECTOR HARNESS: **ZCH-110-RGB-J**

LIGHTING COLOR REMOTE CONTROLLER: **ZCTR-01-RGB**

## X-ON Electronics

Largest Supplier of Electrical and Electronic Components

*Click to view similar products for [LED Lighting Bars and Strips](#) category:*

*Click to view products by [JKL](#) manufacturer:*

Other Similar products are found below :

[ZLF0310W62524](#) [LF1D-F2F-2W-300](#) [HH-SWW528F210W12-COB IP65](#) [HH-SG528F010W24-COB IP20](#) [LF2D-EN2F-2W-A](#) [10001622](#)  
[LFBHL-SW860-24V-8S63-20](#) [LFBHL-SW940-24V-8S63-20](#) [HH-SRGB60F010W24-5050M](#) [N006120BB1LZ \(GREEN\)](#) [N006120BB1LZ](#)  
[\(ICE BLUE\)](#) [N006120BB1LZ \(RED\)](#) [N006120BC1LZ \(BLUE\)](#) [N006120BC1LZ \(GREEN\)](#) [N006120BC1LZ \(RED\)](#) [RF-G27HI3510-](#)  
[241202081-A0 IP20](#) [S010030CB3SB7](#) [S010030CB3SB7 \(BLACK PCB\)](#) [S010060CB1LZ \(NEUTRAL WHITE IP65\)](#) [S010060CB1LZ](#)  
[\(WARM WHITE IP65\)](#) [S010060CB3SB7](#) [S010060CC1LZ \(WARM WHITE IP65\)](#) [S012060CB4ST \(BLACK PCB\)](#) [L202-3080033C30001](#)  
[00219015](#) [10001611](#) [10001612](#) [10001613](#) [10001617](#) [10001619](#) [10001623](#) [10001655](#) [10001657](#) [10001661](#) [10001664](#) [10001670](#) [10001674](#)  
[10001675](#) [10001681](#) [10001683](#) [10001690](#) [PUUA-100LLL-NK2P](#) [QAUR1161L030](#) [HC-F12V-3535 PCBA](#) [HC-F12V-F50-3L-WS2811](#) [HC-](#)  
[F12V-WS2811-3535](#) [HC-F5V-144L-144LED-B-WS2813 IP65](#) [HC-F5V-144L-144LED-W/IP65](#) [HC-F5V-144L-144LED-W-WS2813 IP20](#)  
[HC-F5V-30L-30LED-B-WS2813 IP20](#)