

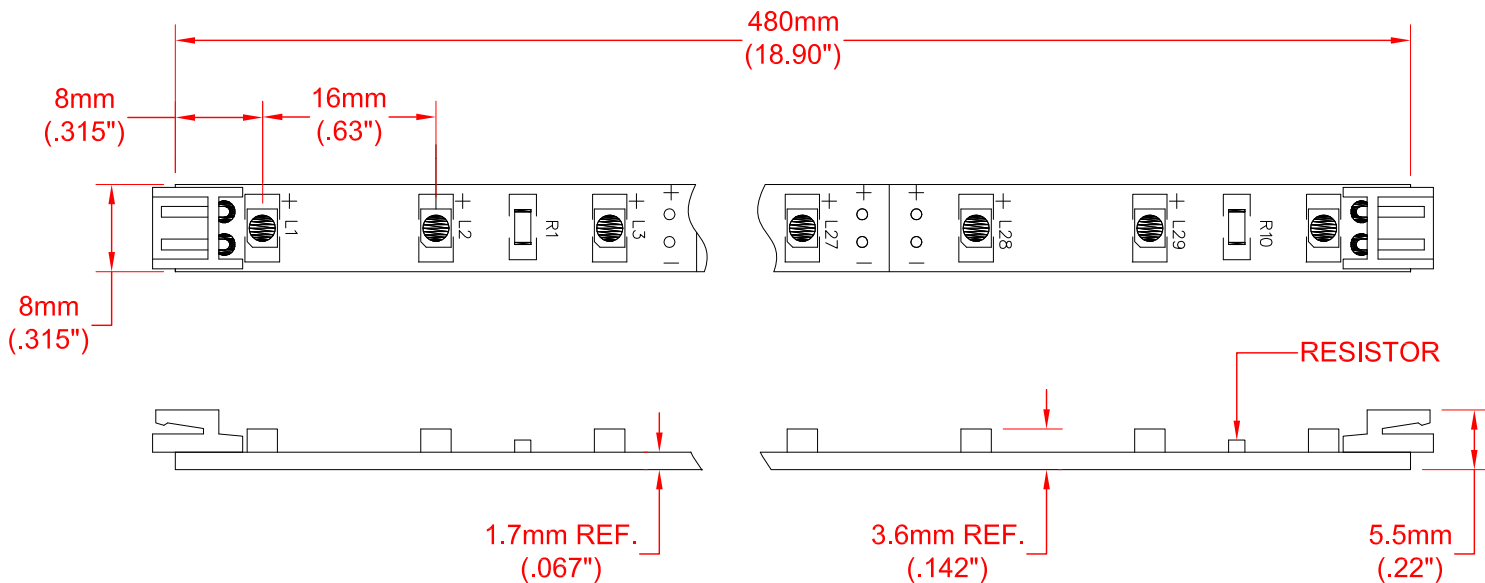
# FEATURES

# 8mm X 480mm LED LIGHT BAR

VOLTAGE: 12V DC.

CURRENT: 200mA.

VIEWING ANGLE (2 θ 1/2): 120°



### Maximum Rating at TA = 25°C

Parameter	Symbol	Absolute Maximum Rating	Unit
Forward Current	IF	200	mA
Power Dissipation	PD	2.4	W
Electrostatic Discharge	ESD	800	V
Operating Temperature	Topr	-25~+60	°C
Storage Temperature	Tstg	-40~+80	°C

### Electrical/Optical Characteristics at TA = 25°C

Parameter	Symbol	Condition	Min	Typ	Max	Unit
Forward Voltage DC	VF	IF = 200mA	--	12	--	V
Color Coordinates	x, y	IF = 200mA	.285	.300	.315	x
			.285	.310	.335	y
Luminous Flux	φV	IF = 200mA	--	90	--	lm

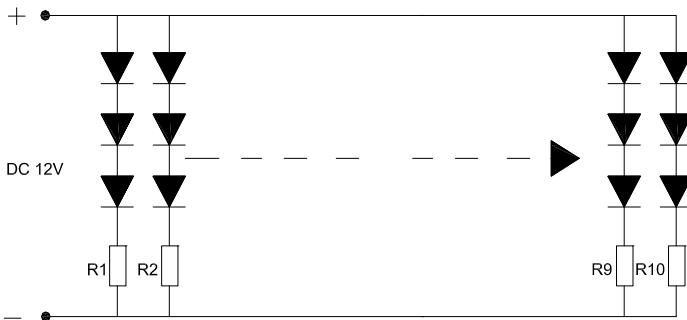
JKL ACCESSORIES  
TO BE ORDERED SEPARATELY

PCB MOUNTING CLIP: ZRC-8  
POWER CONNECTOR: ZCH-200-I  
JOINER CONNECTOR HARNESS: ZCH-101-J

### ATTENTION



OBSERVE PRECAUTION  
FOR HANDLING ELECTROSTATIC  
DISCHARGE SENSITIVE DEVICES



JKL PART NO.: ZRS-8480-CW

<b>METRIC</b>  THIRD ANGLE PROJECTION		DIMENSIONS ARE IN MILLIMETERS TOLERANCE UNLESS OTHERWISE SPECIFIED 1 PL +/- 1 2 PL +/- ANGLE +/-		<b>JKL COMPONENTS CORPORATION</b>					
B ADD CONNECTOR HEIGHT DIMENSION 6/21/11		A CHANGE FEATURES 4/28/10		TITLE <b>8mm X 480mm COOL WHITE LED LIGHT BAR</b>					
A RELEASED 4/22/08		DRAWN BY L. WENGSTROM APPV'D BY L.R. DATE 6/21/11		SIZE <b>A</b>	FSCM NO. <b>55335</b>	DRAWING NO. <b>ZRS-8480-CW</b>			
REV. NO.	DESCRIPTION/ECO NUMBER	APPV'D DATE	- CAD DRAWING - MANUAL REVISIONS NOT PERMITTED		SCALE NONE	RELEASED DATE 4/22/08	REVISION DATE 6/21/11	REV. NO. <b>B</b>	SHEET 1 OF 1

## X-ON Electronics

Largest Supplier of Electrical and Electronic Components

*Click to view similar products for [LED Lighting Modules](#) category:*

*Click to view products by [JKL](#) manufacturer:*

Other Similar products are found below :

[CDM-14-3018-90-36-DW01](#) [LPS1-01C24-4070-00](#) [XHP50A-0L-02-0D0BH430E](#) [28085](#) [LMH020-0850-27G9-00000SS](#) [LMH020-0850-27G9-00001SS](#) [LMH020-1250-27G9-00001SS](#) [LMH020-2000-27G9-00001SS](#) [LMH020-3000-27G9-00000SS](#) [LMH020-6000-30G9-00001TW](#) [LMH020-6000-40G9-00001TW](#) [LMH020-8000-30G9-00001TW](#) [LMH020-8000-40G9-00001TW](#) [LMH02B-1250-30G9-00000TW](#) [LMH02B-3000-35G9-00001TW](#) [LMH02B-3000-40G9-00001TW](#) [LMR020-0650-35F9-20100TW](#) [LLT-3R](#) [Z-G4-15WW](#) [ZM-1610-CW](#) [ZM-189-CW](#) [ZM-6223-CW](#) [ZRS-8480-CW](#) [ZRS-8480-WW](#) [L218-3080024C30000](#) [L218-3080048C00000](#) [L218-3580024C30000](#) [L218-3580048C00000](#) [L218-4080024C30000](#) [L218-4090024C30000](#) [L218-4090048C00000](#) [L218-5080024C30000](#) [L2M0-4070003MC3300](#) [L2M0-4070004MC2200](#) [L2M0-5070003MC3300](#) [L2M0-5770005MC3300](#) [CBM-120-FR-C15-RA100](#) [CBM-120-UV-C31-K380-21](#) [CBM-120-UV-X31-I365-22](#) [CBM-120-UV-X31-L400-22](#) [CBM-90-IRD-X33-K850](#) [CBT-120-G-C11-JK200](#) [CBT-140-WCS-L16-UA120](#) [CBT-140-WCS-L16-UA122](#) [CBT-140-WCS-L16-UA123](#) [CBT-140-WDH-L16-QB220](#) [CBT-90-B-L11-G100](#) [CBT-90-B-L11-H101](#) [CBT-90-B-L11-J101](#) [CBT-90-G-L11-CM101](#)