

High Frequency Ceramic Solutions

Miniature Impedance-matched Filter for Semtech SX1261, SX1262, LLCC68 for 915MHz Operation

P/N 0900FM15D0039

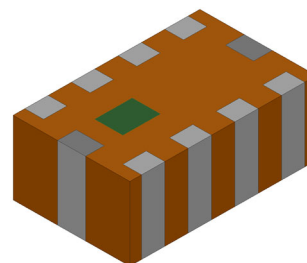
Detail Specification: 3/2/2021

Page 1 of 4

A worldwide version (868MHz / 915MHz) is in development!

General Specifications

Part Number	0900FM15D0039
Frequency (MHz)	902 - 928
Insertion loss (dB)	0.8 typ. (1.4 max.)
Return Loss (dB)	12 min.
Input Impedance (Toward Chipset)	Conjugate Impedance matched to Semtech SX1261, SX1262, LLCC68
Output Impedance (ANT)	50Ω
Power Capacity (W)	2 max. (CW)
DC Rating (V)	5 max. (400mA max.)



For the full app note and layout files, go to:
<https://www.johansontechnology.com/semtech>

Attenuation (dB)		Reel Quantity	4,000 pcs/reel
1724 - 1856MHz	25 min.	Operating Temperature	-40 to +85°C
2586 - 2784MHz	35 min.	Recommended Storage Conditions for unused T&R product*	+5 to +35°C Humidity: 45-75%RH 18 months max. 1 week after opened

*This is a silver-leaded part. Please keep unused parts in vacuum sealed bags. For more information go to:
<https://www.johansontechnology.com/silverleads-profile>

Part Number Explanation

P/N Suffix	Packaging Style	Bulk	Suffix = S	E.g. 0900FM15D0039S
		T & R	Suffix = E	E.g. 0900FM15D0039E
	Termination Style	Ag	Suffix = None	E.g. 0900FM15D0039(E or S)

Mechanical Dimensions

	In	mm	
L	0.079 ± 0.006	2.00 ± 0.15	 <Side View>
W	0.049 ± 0.004	1.25 ± 0.10	
T	0.031 ± 0.004	0.80 ± 0.10	 <Bottom View>
a	0.010 ± 0.004	0.25 ± 0.10	
b	0.012 ± 0.006	0.30 ± 0.15	
c	0.008 +0.004/-0.006	0.20 +0.1/-0.15	
p	0.020 ± 0.004	0.50 ± 0.10	

Terminal Configuration

N°	Pin	N°	Pin
1	RFO	6	SW_RFI
2	GND	7	GND
3	RFI_N	8	SW_RFO
4	RFI_P	9	GND
5	GND	10	GND

Johanson Technology, Inc. reserves the right to make design changes without notice.

All sales are subject to Johanson Technology, Inc. terms and conditions.



<https://www.johansontechnology.com>

4001 Calle Tecate • Camarillo, CA 93012, USA • TEL +1.805.389.1166

Ver. 1.5

2021 Johanson Technology, Inc. All Rights Reserved

High Frequency Ceramic Solutions

Miniature Impedance-matched Filter for Semtech SX1261, SX1262, LLCC68 for 915MHz Operation

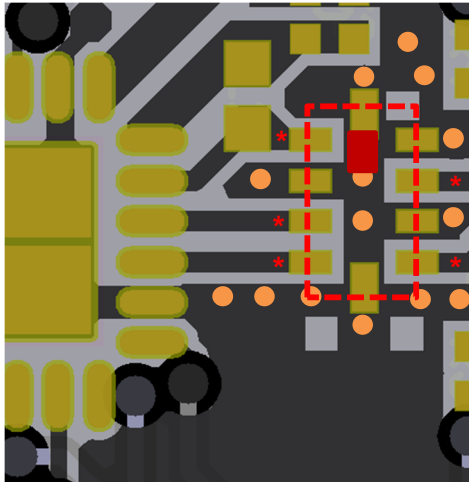
P/N 0900FM15D0039




Detail Specification: 3/2/2021

Page 2 of 4

Reference Layout

Units in mm



-  Solder Resist
-  Land
-  GND Via (ϕ 0.2mm)

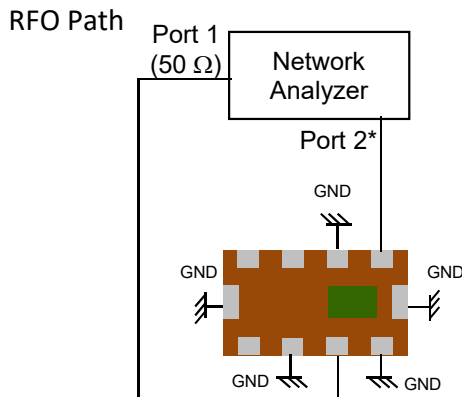
NOTE: GND via placement is crucial to the harmonic attenuation capability of the filter.

Application Note can be found at:
<https://www.johansontechnology.com/0900FM15D0039>

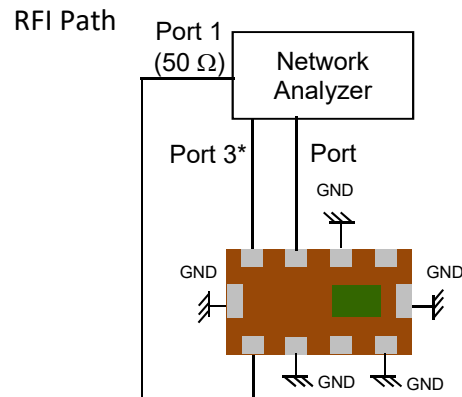
For gerber/layout files or a free layout review, contact our RF engineers directly at:
<https://www.johansontechnology.com/ask-a-question>

*Line width should be designed to maintain 50 Ω characteristic impedance, depending on PCB material and thickness.

Measurement Schematic



Port 1: Antenna Port
 Port 1 Load impedance: 50 Ω
 Port 2: RFO
 *Port 2 Load impedance:
 Complex conjugate match to SEMTECH SX1261/2



Port 1: Antenna Port
 Port 1 Load impedance: 50 Ω
 Ports 2 and 3: RFI Balanced Port
 *Port 2 and 3 Load impedance:
 Complex conjugate match to SEMTECH SX1261/2

Johanson Technology, Inc. reserves the right to make design changes without notice.

All sales are subject to Johanson Technology, Inc. terms and conditions.



<https://www.johansontechnology.com>

4001 Calle Tecate • Camarillo, CA 93012, USA • TEL +1.805.389.1166

Ver. 1.5

2021 Johanson Technology, Inc. All Rights Reserved

High Frequency Ceramic Solutions

Miniature Impedance-matched Filter for Semtech SX1261, SX1262,
LLCC68 for 915MHz Operation

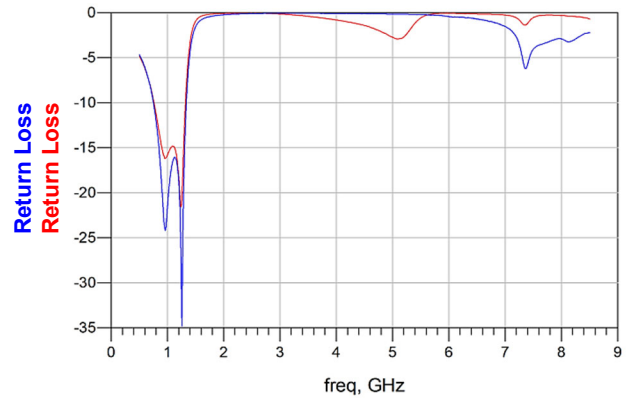
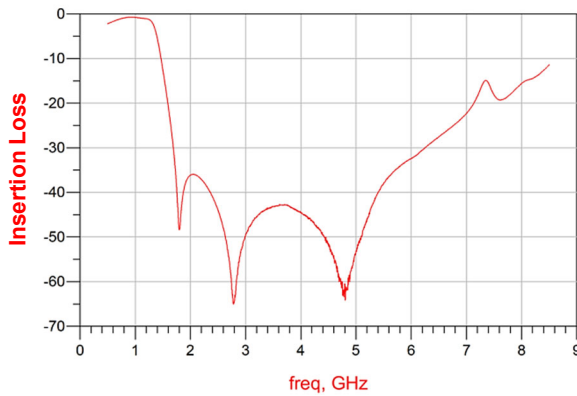
P/N 0900FM15D0039

Detail Specification: 3/2/2021

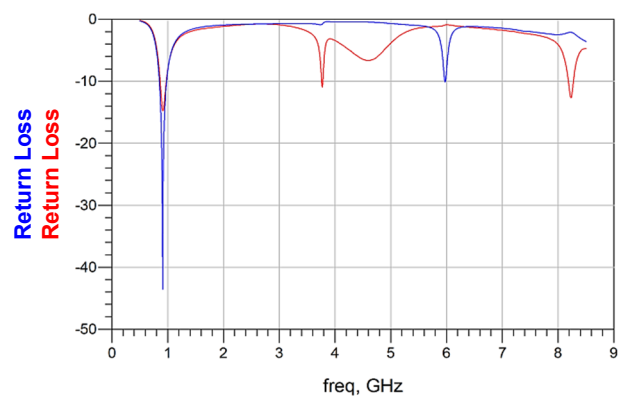
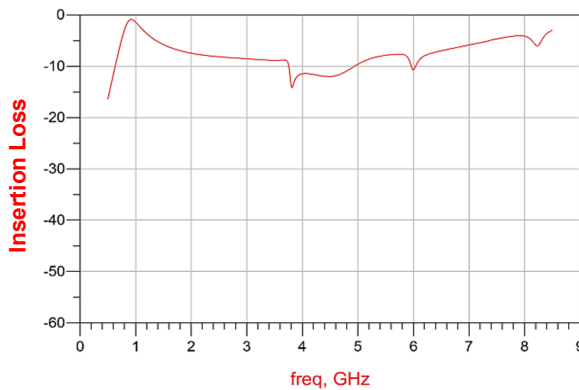
Page 3 of 4

Typical Electrical Characteristics (T=25°C)

RFO Path Insertion Loss, Return Loss



RFI Path Insertion Loss, Return Loss



Johanson Technology, Inc. reserves the right to make design changes without notice.

All sales are subject to Johanson Technology, Inc. terms and conditions.



Ver. 1.5

<https://www.johansontechnology.com>

4001 Calle Tecate • Camarillo, CA 93012, USA • TEL +1.805.389.1166

2021 Johanson Technology, Inc. All Rights Reserved

High Frequency Ceramic Solutions

**Miniature Impedance-matched Filter for Semtech SX1261, SX1262,
LLCC68 for 915MHz Operation**

P/N 0900FM15D0039

Detail Specification: 3/2/2021

Page 4 of 4

Application Notes, Layout Files, and more

<https://www.johansontechnology.com/semtech>

Packaging information

<https://www.johansontechnology.com/tape-reel-packaging>

Soldering Information

<https://www.johansontechnology.com/ipcsoldering-profile>

Silver Termination Information

<https://www.johansontechnology.com/silverleads-profile>

MSL Info

<https://www.johansontechnology.com/msl-rating>

Recommended Storage Condition and Max Shelf Life

<https://www.johansontechnology.com/recommended-storage-conditions>

RoHS Compliance

<https://www.johansontechnology.com/technical-notes/rohs-compliance>

Antenna layout and tuning techniques

<https://www.johansontechnology.com/tuning>

Antenna layout review, tuning, and characterization services

<https://www.johansontechnology.com/ipc-antenna-services>

Please see our application note AN100 for information regarding 868MHz operation

Johanson uses 6/6 RoHS Green Low-Temperature-Co-fired-Ceramic (LTCC) integrated passive technology in a monolithic structure. This component is 100% RF Tested, making it a more reliable system, impedance controlled environment, consistent-guaranteed RF performance in a very small RF front end-solution compared to an L/C discrete solution.

Johanson Technology, Inc. reserves the right to make design changes without notice.

All sales are subject to Johanson Technology, Inc. terms and conditions.



Ver. 1.5

<https://www.johansontechnology.com>

4001 Calle Tecate • Camarillo, CA 93012, USA • TEL +1.805.389.1166

2021 Johanson Technology, Inc. All Rights Reserved

X-ON Electronics

Largest Supplier of Electrical and Electronic Components

Click to view similar products for [Signal Conditioning](#) category:

Click to view products by [Johanson](#) manufacturer:

Other Similar products are found below :

[MAPDCC0001](#) [MAPDCC0004](#) [PD0409J5050S2HF](#) [880157](#) [HHS-109-PIN](#) [DC1417J5005AHF](#) [AFS14A30-2185.00-T3](#) [AFS14A35-1591.50-T3](#) [DS-323-PIN](#) [B39321R801H210](#) [1A0220-3](#) [JP510S](#) [LFB212G45SG8C341](#) [LFB322G45SN1A504](#) [LFL182G45TC3B746](#) [SF2159E](#) [30057](#)
[FM-104-PIN](#) [CER0813B](#) [MAPDCC0005](#) [3A325](#) [40287](#) [41180](#) [ATB3225-75032NCT](#) [BD0810N50100AHF](#) [BD2425J50200AHF](#)
[C5060J5003AHF](#) [JHS-115-PIN](#) [JP503AS](#) [DC0710J5005AHF](#) [DC2327J5005AHF](#) [DC3338J5005AHF](#) [43020](#) [LFB2H2G60BB1C106](#)
[LFL15869MTC1B787](#) [X3C19F1-20S](#) [XC3500P-20S](#) [10013-20](#) [SF2194E](#) [CDBLB455KCAX39-B0](#) [TGL2208-SM, EVAL](#) [RF1353C](#)
[PD0922J5050D2HF](#) [1E1305-3](#) [1F1304-3S](#) [1G1304-30](#) [B0922J7575AHF](#) [2020-6622-20](#) [TP-103-PIN](#) [BD1222J50200AHF](#)