

High Frequency Ceramic Solutions

862 - 928MHz, 2.4 - 2.5GHz Integrated Impedance-matched Balun Filter P/N: 0900PC15A0036
for Texas Instruments CC1352R and CC1352P

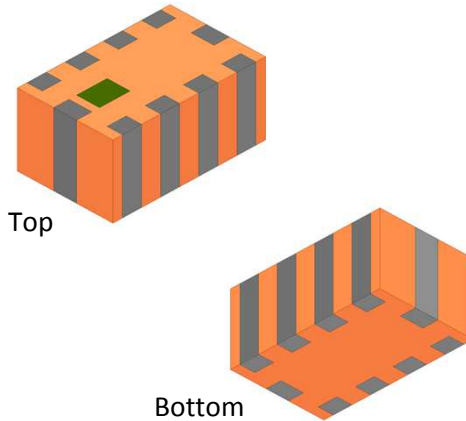
Detail Specification: 5/12/2021

Page 1 of 6

Do you need a small sub-GHz or 2.4GHz antenna? Go to: <https://www.johansontechnology.com/antennas>

General Specifications

Part Number	0900PC15A0036	
Frequency (MHz)	862 - 928	2400 - 2500
Insertion Loss (dB)	1.8 typ (2.0 max.)	1.3 typ (1.6 max.)
Return Loss (dB)	14 typ. (10 min.)	14 typ. (10 min.)
Phase Balance (deg)	180±15	180±15
Amplitude Difference (dB)	0.8 typ. (1.5 max.)	1.0 typ. (2.0 max.)
Attenuation (dB @MHz)	17 min. @1736 - 1856 40 min. @2604 - 2784	20 min. @4800 - 5000 40 min. @7200 - 7500
Unbalanced Impedance (Ω)	50	
Balanced Impedance (Ω)	Impedance matched to Texas Instruments CC1352R and CC1352P	
Power Capacity (W)	3 max. CW	
Operating Temperature	-40°C to +85°C	
Quantity/Reel	4,000	



Recommended Storage Conditions and Period for unused product on T&R	+5 to +35°C Humidity 45~75%RH 18 months max.*
--	---

*18 months max. in vacuum sealed bag and 1 week after opened. Please see: <https://www.johansontechnology.com/silverleads>

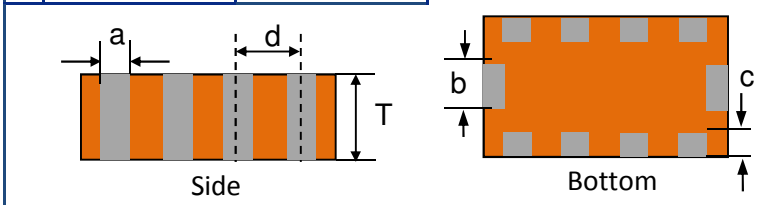
Part Number Explanation

P/N Suffix	Packing Style	Bulk (loose pcs.)	Suffix = S	E.g. 0900PC15A0036S
		T & R	Suffix = E	E.g. 0900PC15A0036E
	Termination Style	Ag/Pt	Suffix = None	E.g. 0900PC15A0036(E or S)

For more Texas Instruments matched balun-filters, go to: <https://www.johansontechnology.com/ti>

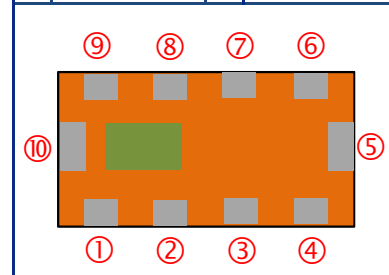
Mechanical Dimensions

	In	mm
L	0.079 ± 0.008	2.00 ± 0.2
W	0.049 ± 0.008	1.25 ± 0.2
T	0.039 max.	1.00 max.
a	0.010 ± 0.004	0.25 ± 0.1
b	0.012 ± 0.006	0.30 ± 0.15
c	0.008+0.004/-0.006	0.20 +0.1/-0.15
d	0.020 ± 0.004	0.50 ± 0.1



Terminal Configuration

No.	Function	No.	Function
1	ANT (2.4GHz)	6	RF_N (Sub-GHz)
2	GND	7	RX_P (Sub-GHz)
3	GND	8	RF_N (2.4GHz)
4	ANT (Sub-GHz)	9	RF_P (2.4GHz)
5	RX_TX	10	GND



Johanson Technology, Inc. reserves the right to make design changes without notice.
 All sales are subject to Johanson Technology, Inc. terms and conditions.



<https://www.johansontechnology.com>

4001 Calle Tecate • Camarillo, CA 93012 • TEL 805.389.1166 FAX 805.389.1821

Ver. 1.1

2021 Johanson Technology, Inc. All Rights Reserved

High Frequency Ceramic Solutions

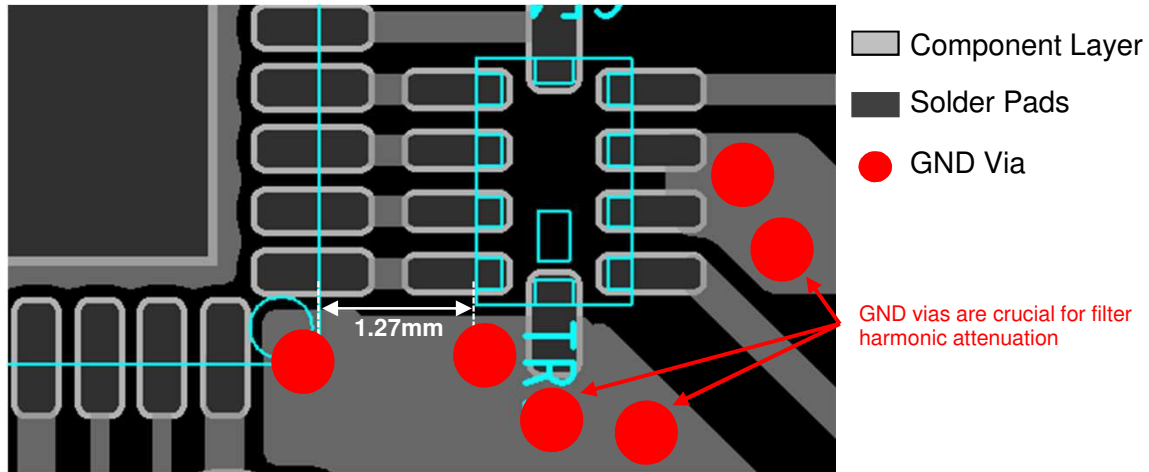
862 - 928MHz, 2.4 - 2.5GHz Integrated Impedance-matched Balun Filter
for Texas Instruments CC1352R and CC1352P

P/N: 0900PC15A0036

Detail Specification: 5/12/2021

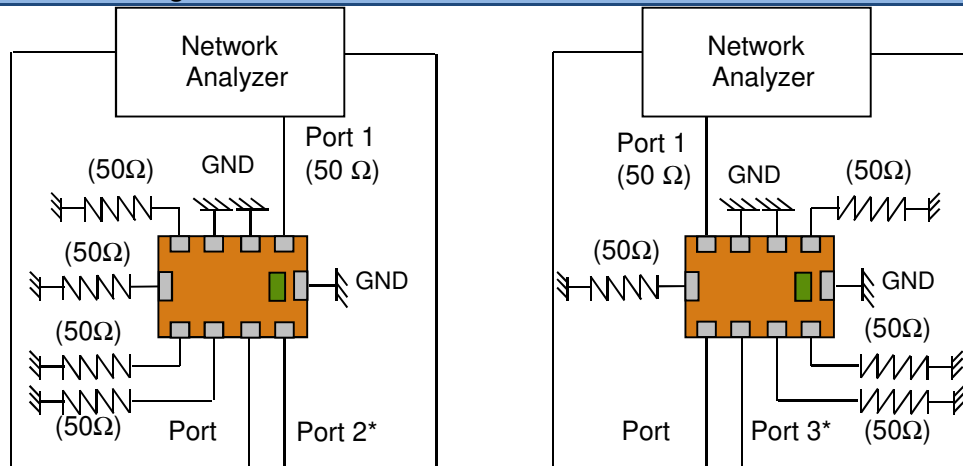
Page 2 of 6

Pad-Soldermask Guidelines



For reference design package and PCB CAD files, please contact us at: <https://www.johansontechnology.com/ask-a-question>

PCB Reference Design Schematic



Port 1: Unbalanced Port, **Ports 2 and 3:** Balanced Port

*Impedance for ports 2 and 3 = Conjugate to Balanced Impedance/2

Johanson Technology, Inc. reserves the right to make design changes without notice.
All sales are subject to Johanson Technology, Inc. terms and conditions.



<https://www.johansontechnology.com>

4001 Calle Tecate • Camarillo, CA 93012 • TEL 805.389.1166 FAX 805.389.1821

Ver. 1.1

2021 Johanson Technology, Inc. All Rights Reserved

High Frequency Ceramic Solutions

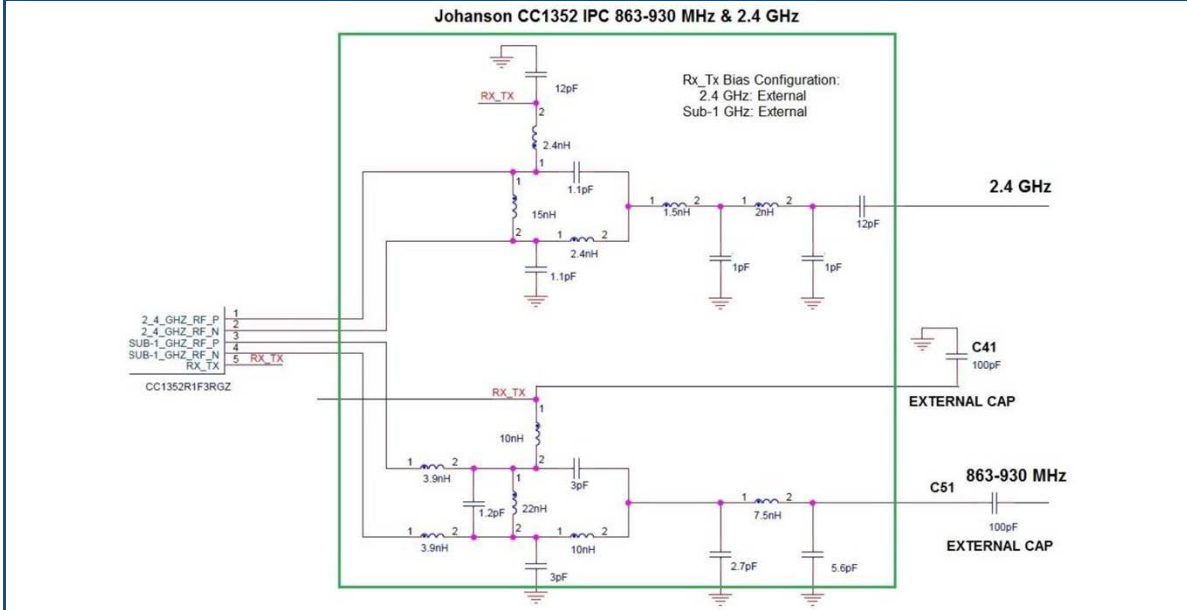
862 - 928MHz, 2.4 - 2.5GHz Integrated Impedance-matched Balun Filter
for Texas Instruments CC1352R and CC1352P

P/N: 0900PC15A0036

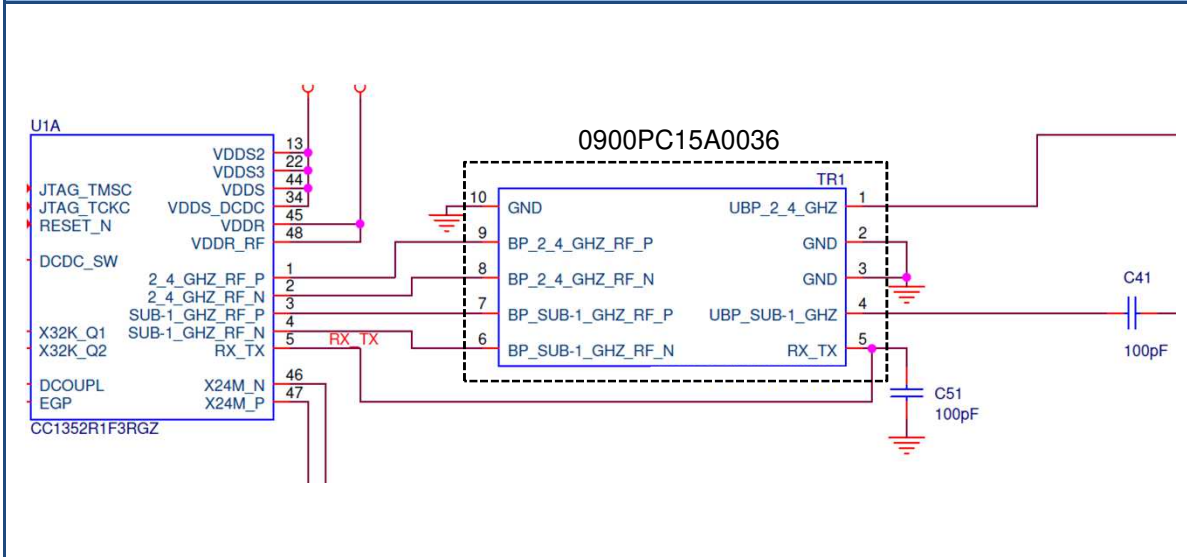
Detail Specification: 5/12/2021

Page 3 of 6

Discrete Components Integrated into IPC



PCB Reference Design Schematic



Johanson Technology, Inc. reserves the right to make design changes without notice.
 All sales are subject to Johanson Technology, Inc. terms and conditions.



<https://www.johansontechnology.com>

4001 Calle Tecate • Camarillo, CA 93012 • TEL 805.389.1166 FAX 805.389.1821

Ver. 1.1

2021 Johanson Technology, Inc. All Rights Reserved

High Frequency Ceramic Solutions

862 - 928MHz, 2.4 - 2.5GHz Integrated Impedance-matched Balun Filter
for Texas Instruments CC1352R and CC1352P

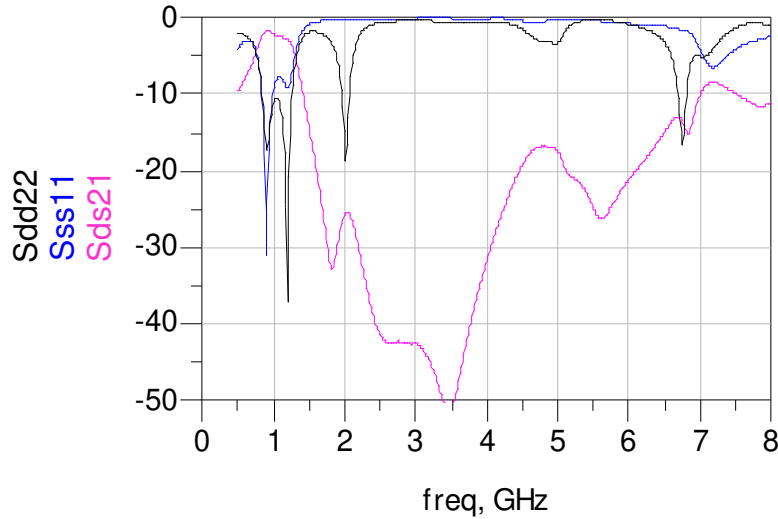
P/N: 0900PC15A0036

Detail Specification: 5/12/2021

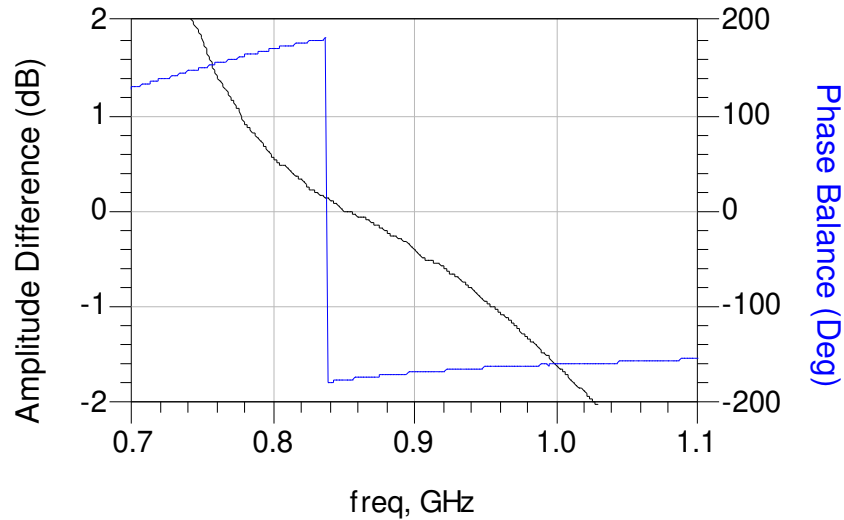
Page 4 of 6

Sub-GHz Electrical Characteristics at T=25°C

Insertion Loss, Attenuation



Phase Balance, Amplitude Difference



Johanson Technology, Inc. reserves the right to make design changes without notice.
All sales are subject to Johanson Technology, Inc. terms and conditions.



<https://www.johansontechnology.com>

4001 Calle Tecate • Camarillo, CA 93012 • TEL 805.389.1166 FAX 805.389.1821

Ver. 1.1

2021 Johanson Technology, Inc. All Rights Reserved

High Frequency Ceramic Solutions

862 - 928MHz, 2.4 - 2.5GHz Integrated Impedance-matched Balun Filter
for Texas Instruments CC1352R and CC1352P

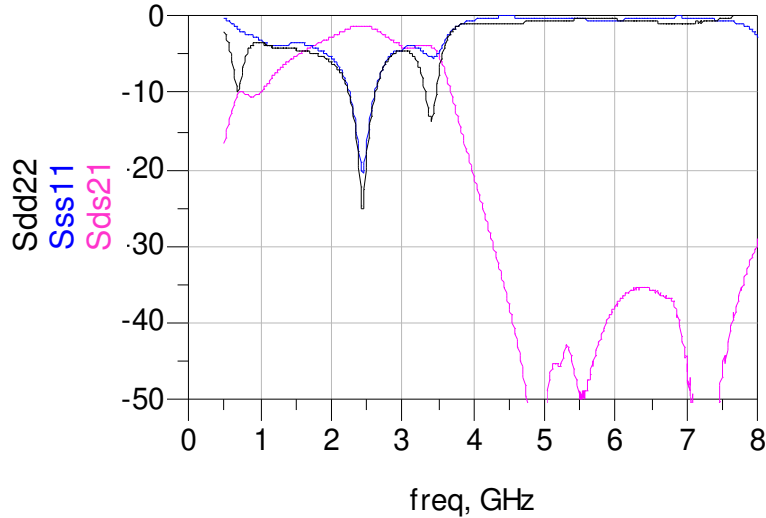
P/N: 0900PC15A0036

Detail Specification: 5/12/2021

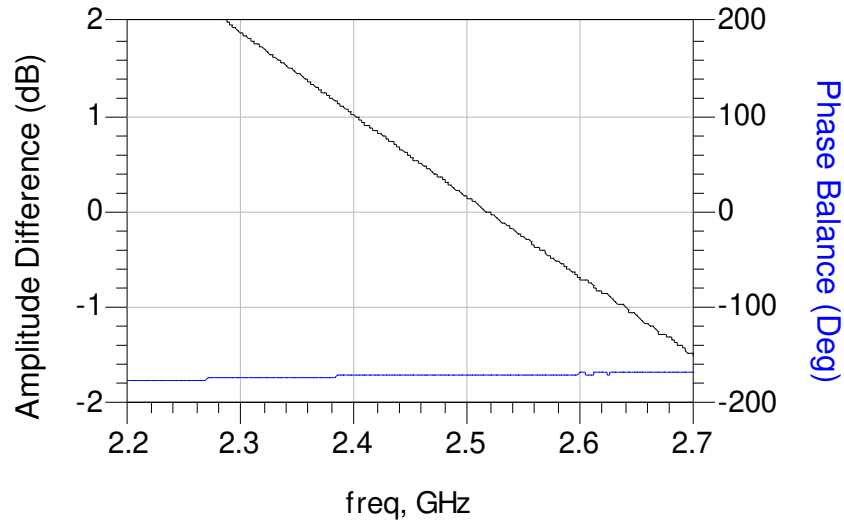
Page 5 of 6

2.4GHz Electrical Characteristics at T=25°C

Insertion Loss, Attenuation



Phase Balance, Amplitude Difference



Johanson Technology, Inc. reserves the right to make design changes without notice.
All sales are subject to Johanson Technology, Inc. terms and conditions.



<https://www.johansontechnology.com>

4001 Calle Tecate • Camarillo, CA 93012 • TEL 805.389.1166 FAX 805.389.1821

Ver. 1.1

2021 Johanson Technology, Inc. All Rights Reserved

High Frequency Ceramic Solutions

862 - 928MHz, 2.4 - 2.5GHz Integrated Impedance-matched Balun Filter for Texas Instruments CC1352R and CC1352P P/N: 0900PC15A0036

Detail Specification: 5/12/2021

Page 6 of 6

Application Notes, Layout Files, and more

<https://www.johansontechnology.com/ti>

Small SMD 900MHz (or 2.4G, 5G) antennas at:

<https://www.johansontechnology.com/antennas>

RoHS Compliance

<https://www.johansontechnology.com/rohs-compliance>

Soldering Information

<https://www.johansontechnology.com/ipcsoldering-profile>

Antenna layout and tuning techniques

<https://www.johansontechnology.com/tuning>

Antenna layout review, tuning, and characterization services

<https://www.johansontechnology.com/ipc-antenna-services>

MSL Info

<https://www.johansontechnology.com/msl-rating>

Recommended Storage Condition and Max Shelf Life

<https://www.johansontechnology.com/recommended-storage-conditions>

Packaging information

<https://www.johansontechnology.com/tape-reel-packaging>

Silverleads Information

<https://www.johansontechnology.com/silverleads>

Would you like us to review your layout for free? Need an embedded antenna recommendation for your application?

Contact us at:

<https://www.johansontechnology.com/ask-a-question>

Johanson Technology, Inc. reserves the right to make design changes without notice.

All sales are subject to Johanson Technology, Inc. terms and conditions.



<https://www.johansontechnology.com>

4001 Calle Tecate • Camarillo, CA 93012 • TEL 805.389.1166 FAX 805.389.1821

Ver. 1.1

2021 Johanson Technology, Inc. All Rights Reserved

X-ON Electronics

Largest Supplier of Electrical and Electronic Components

Click to view similar products for [Signal Conditioning](#) category:

Click to view products by [Johanson](#) manufacturer:

Other Similar products are found below :

[MAPDCC0001](#) [MAPDCC0004](#) [PD0409J5050S2HF](#) [880157](#) [HHS-109-PIN](#) [DC1417J5005AHF](#) [AFS14A30-2185.00-T3](#) [AFS14A35-1591.50-T3](#) [DS-323-PIN](#) [B39321R801H210](#) [1A0220-3](#) [JP510S](#) [LFB212G45SG8C341](#) [LFB322G45SN1A504](#) [LFL182G45TC3B746](#) [SF2159E](#) [30057](#)
[FM-104-PIN](#) [CER0813B](#) [MAPDCC0005](#) [3A325](#) [40287](#) [41180](#) [ATB3225-75032NCT](#) [BD0810N50100AHF](#) [BD2425J50200AHF](#)
[C5060J5003AHF](#) [JHS-115-PIN](#) [JP503AS](#) [DC0710J5005AHF](#) [DC2327J5005AHF](#) [DC3338J5005AHF](#) [43020](#) [LFB2H2G60BB1C106](#)
[LFL15869MTC1B787](#) [X3C19F1-20S](#) [XC3500P-20S](#) [10013-20](#) [SF2194E](#) [CDBLB455KCAX39-B0](#) [TGL2208-SM, EVAL](#) [RF1353C](#)
[PD0922J5050D2HF](#) [1E1305-3](#) [1F1304-3S](#) [1G1304-30](#) [B0922J7575AHF](#) [2020-6622-20](#) [TP-103-PIN](#) [BD1222J50200AHF](#)