

High Frequency Ceramic Solutions

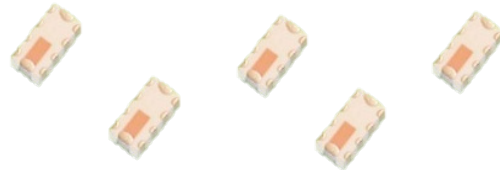
868/915MHz Impedance Matched, Multi-Function, Integrated Ceramic Passive Component for Texas Instruments CC112x, CC117x & CC12xx Chipsets

P/N 0900PC15J0013

Detail Specification: 3/17/2016

Page 1 of 5

General Specifications			
Operating Temperature		-40 to +85°C	
Reel Quantity		4,000	
Recommended Storage Conditions		+5 ~ +35°C, Humidity: 45~75%RH, 18 mos. Max	
RF Specifications			
Tx Mode	Oper. Frequency	TX-ANT	868 ~ 928MHz
	Insertion Loss		2.0 dB max.
	Attenuation (min.)		35.0 min. @ 2 × fo MHz
	Attenuation (min.)		35.0 min. @ 3 × fo MHz
	Attenuation (min.)		35.0 min. @ 4 × fo MHz
	Attenuation (min.)		35.0 min. @ 5 × fo MHz
Return Loss		TX & ANT	9.5 dB min.
Rx Mode	Oper. Frequency	RX-ANT	868~928 MHz
	Insertion Loss		2.5 dB max.
	Phase Diff. (deg)		180±15
	Amp. Diff.		2.0 dB max.
	Return Loss		RX & ANT



Mechanical Dimensions		
	In	mm
L	0.079 ± 0.008	2.00 ± 0.20
W	0.049 ± 0.008	1.25 ± 0.20
T	0.039 max.	1.0 max.
a	0.010 ± 0.004	0.25 ± 0.10
b	0.012 ± 0.006	0.30 ± 0.15
c	0.008 +.004/-0.006	0.20 +0.1/-0.15
p	0.020 ± 0.004	0.50 ± 0.10

Terminal Configuration for CC12XX and CC112X			
No.	Function		
1	LNA_N	6 GND	
2	LNA_P	7 ANT	
3	TRX	8 GND	
4	PA	9 GND	
5	GND	10 GND	

Part Number Explanation			
Packing Style	Bulk	Suffix = S	Eg. 0900PC15J0013S
	T & R	Suffix = E	Eg. 0900PC15J0013E
Termination style	T & R (Reverse)	Suffix = R	Eg. 0900PC15J0013R
	100% Tin	Suffix = None	Eg. 0900PC15J0013(E/R/S)
	Tin / Lead	Please Consult Factory	

Go to page 5 for more details

Mounting Considerations	
<p>* Line width should be designed to provide 50 ohm impedance, depending on PCB material and thickness</p> <p>Gerbers links available for download on page 20 of CC112x, CC117x & CC12xx Design None DN039: www.johansontechnology.com/datasheets/highly-integrated-passive-components/swra407.pdf</p>	<p>Units: mm</p>

Johanson Technology, Inc. reserves the right to make design changes without notice.
 All sales are subject to Johanson Technology, Inc. terms and conditions.



www.johansontechnology.com

4001 Calle Tecate • Camarillo, CA 93012 • TEL 805.389.1166 FAX 805.389.1821

Ver 4.4

2016 Johanson Technology, Inc. All Rights Reserved

High Frequency Ceramic Solutions

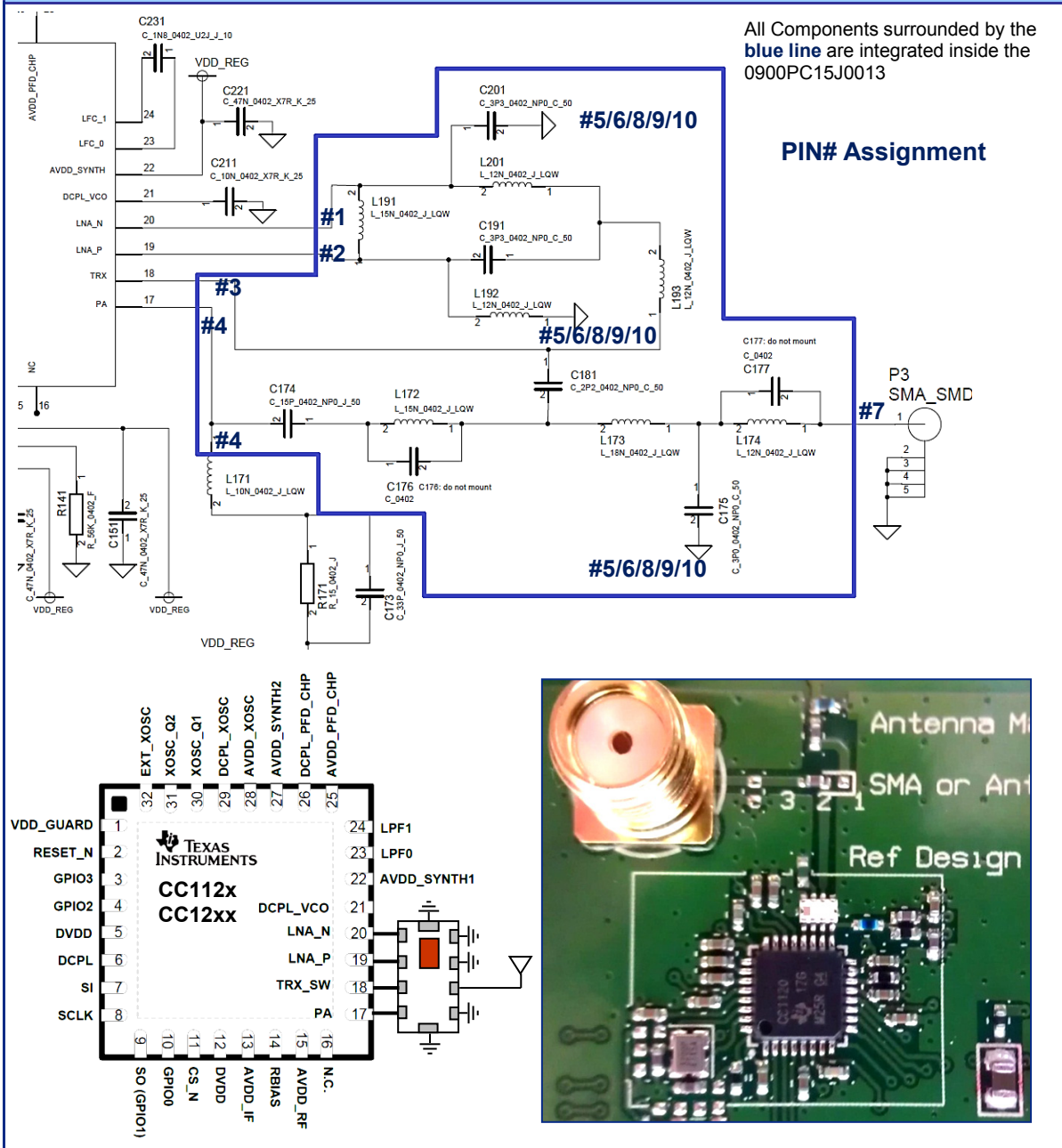
868/915MHz Impedance Matched, Multi-Function, Integrated Ceramic Passive Component for Texas Instruments CC112x, CC117x & CC12xx Chipsets

P/N 0900PC15J0013

Detail Specification: 3/17/2016

Page 2 of 5

Circuit Schematic and Application



Johanson Technology, Inc. reserves the right to make design changes without notice.
All sales are subject to Johanson Technology, Inc. terms and conditions.



www.johansontech.com

4001 Calle Tecate • Camarillo, CA 93012 • TEL 805.389.1166 FAX 805.389.1821

Ver 4.4

2016 Johanson Technology, Inc. All Rights Reserved

High Frequency Ceramic Solutions

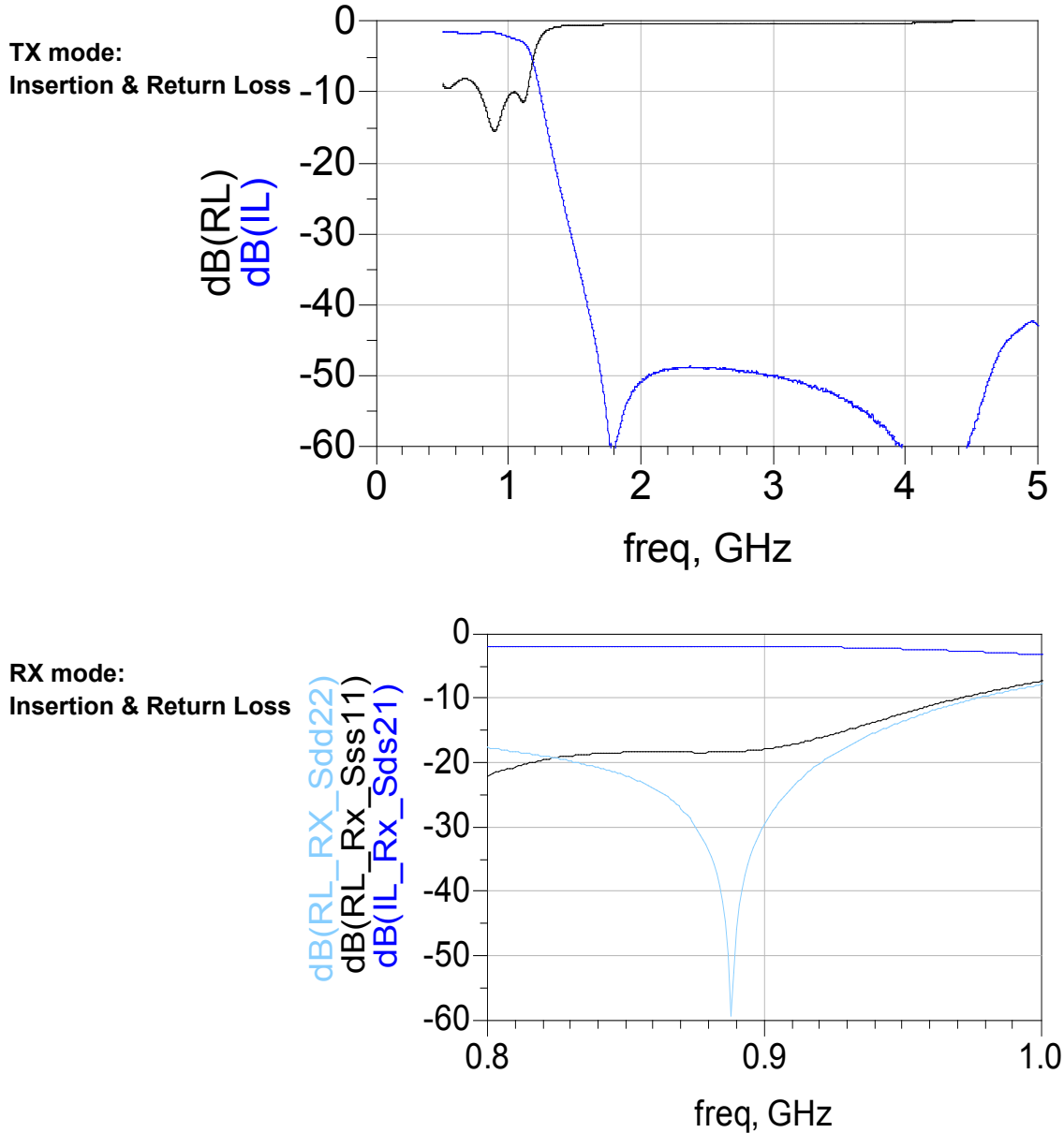
868/915MHz Impedance Matched, Multi-Function, Integrated Ceramic Passive Component for Texas Instruments CC112x, CC117x & CC12xx Chipsets

P/N 0900PC15J0013

Detail Specification: 3/17/2016

Page 3 of 5

Typical Electrical Performance (T=25°C)



Johanson Technology, Inc. reserves the right to make design changes without notice.
All sales are subject to Johanson Technology, Inc. terms and conditions.



www.johansontechnology.com

4001 Calle Tecate • Camarillo, CA 93012 • TEL 805.389.1166 FAX 805.389.1821

Ver 4.4

2016 Johanson Technology, Inc. All Rights Reserved

High Frequency Ceramic Solutions

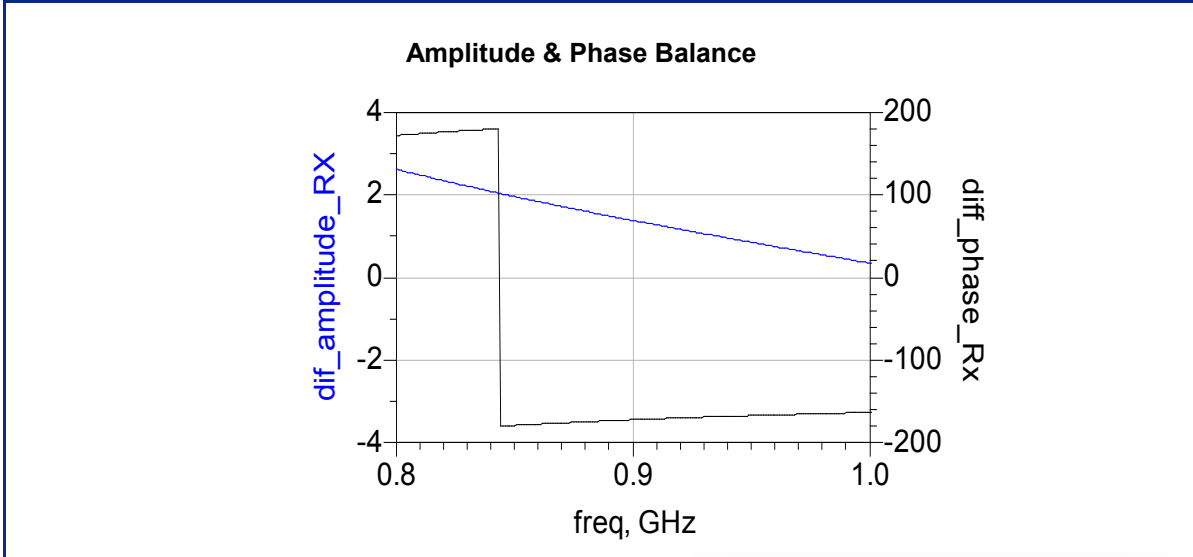
868/915MHz Impedance Matched, Multi-Function, Integrated Ceramic Passive Component for Texas Instruments CC112x, CC117x & CC12xx Chipsets

P/N 0900PC15J0013

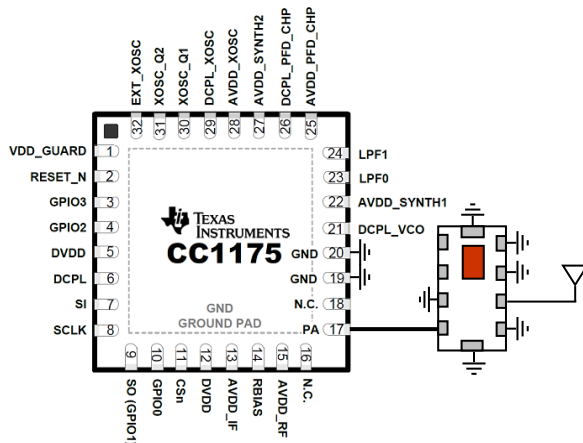
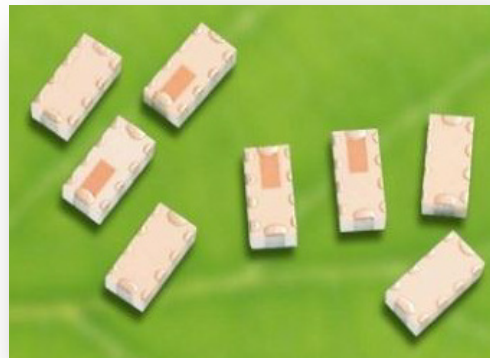
Detail Specification: 3/17/2016

4 of 5

Typical Electrical Performance (T=25°C)



Terminal Configuration for CC1175			
No.	Function		
1	NC or GND	6	GND
2	NC or GND	7	ANT
3	GND	8	GND
4	PA	9	GND
5	GND	10	GND



Johanson Technology, Inc. reserves the right to make design changes without notice.
All sales are subject to Johanson Technology, Inc. terms and conditions.



www.johansontechnology.com

4001 Calle Tecate • Camarillo, CA 93012 • TEL 805.389.1166 FAX 805.389.1821

Ver 4.4

2016 Johanson Technology, Inc. All Rights Reserved

High Frequency Ceramic Solutions

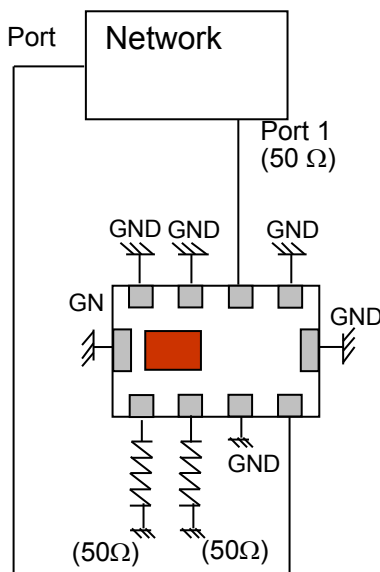
868/915MHz Impedance Matched, Multi-Function, Integrated Ceramic Passive Component for Texas Instruments CC112x, CC117x & CC12xx Chipsets

P/N 0900PC15J0013

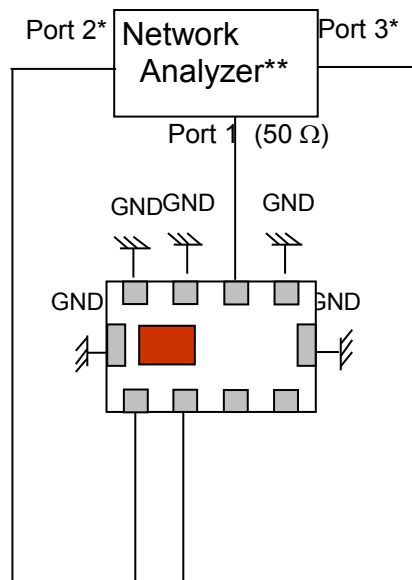
Detail Specification: 3/17/2016

Page 5 of 5

Measuring Diagram



Tx :
 Port1: Antenna Port
 Port1 Terminate impedance: 50ohm
 Port2: PA Port
 Port2 Terminate impedance:
 Complex conjugate to impedance of TI
 CC112X PA pin
 $IL = S_{21}$
 $RL = S_{11} / S_{22}$
 **E5071B / C from Agilent



RX:
 Port 1: Antenna Port
 Port1 Terminate impedance: 50ohm
 Ports 2 and 3: Rx Balanced Port
 *Port 2 and 3 Terminate impedance : Complex
 conjugate to $1/2 \times$ (Balance impedance of TI
 CC112X LNA_N / LNA_P pins)
 $IL = S_{ds21}$
 $RL = S_{ss11} / S_{dd22}$
 $Amp_balance = dB(S(3,1)/S(2,1))$
 $Phase_balance = Phase(S(3,1)/S(2,1))$

Packaging information

<http://www.johansontechnology.com/tape-reel-packaging>

Soldering Information

www.johansontechnology.com/datasheets/highly-integrated-passive-components/swra407.pdf

RoHS Compliance

<http://www.johansontechnology.com/rohs-compliance>

MSL Info

<http://www.johansontechnology.com/msl-rating>

Johanson Technology, Inc. reserves the right to make design changes without notice.
 All sales are subject to Johanson Technology, Inc. terms and conditions.



www.johansontechnology.com

4001 Calle Tecate • Camarillo, CA 93012 • TEL 805.389.1166 FAX 805.389.1821

Ver 4.4

2016 Johanson Technology, Inc. All Rights Reserved

X-ON Electronics

Largest Supplier of Electrical and Electronic Components

Click to view similar products for [Signal Conditioning](#) category:

Click to view products by [Johanson](#) manufacturer:

Other Similar products are found below :

[MAPDCC0001](#) [MAPDCC0004](#) [PD0409J5050S2HF](#) [880157](#) [HHS-109-PIN](#) [DC1417J5005AHF](#) [AFS14A30-2185.00-T3](#) [AFS14A35-1591.50-T3](#) [B39321R801H210](#) [1A0220-3](#) [JP510S](#) [LFB212G45SG8C341](#) [LFB322G45SN1A504](#) [LFL182G45TC3B746](#) [SF2159E](#) [30057](#) [FM-104-PIN](#) [CER0813B](#) [MAPDCC0005](#) [3A325](#) [40287](#) [41180](#) [ATB3225-75032NCT](#) [BD0810N50100AHF](#) [BD2425J50200AHF](#) [C5060J5003AHF](#) [JHS-115-PIN](#) [JP503AS](#) [DC0710J5005AHF](#) [DC2327J5005AHF](#) [DC3338J5005AHF](#) [43020](#) [LFB2H2G60BB1C106](#) [LFL15869MTC1B787](#) [X3C19F1-20S](#) [XC3500P-20S](#) [10013-20](#) [SF2194E](#) [CDBLB455KCAX39-B0](#) [TGL2208-SM, EVAL](#) [RF1353C](#) [PD0922J5050D2HF](#) [1E1305-3](#) [1F1304-3S](#) [1G1304-30](#) [B0922J7575AHF](#) [2020-6622-20](#) [TP-103-PIN](#) [BD1222J50200AHF](#) [BD1722J50100AHF](#)