

# High Frequency Ceramic Solutions

1GHz High Rejection Low Pass Filter (SMD), 75Ω. Recommended Application: STB P/N 1000LP41B1000

Detail Specification: 4/3/2014

Page 1 of 3

Not exactly what you are looking for and want to see our other diplexers? Go to: [www.johansontechnology.com/diplexers](http://www.johansontechnology.com/diplexers)

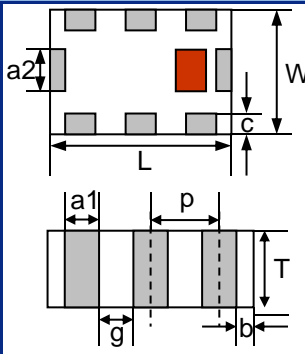
General Specifications			
Part Number	1000LP41B1000		
Frequency (MHz)	5 ~ 1002		
Impedance (Ohms)	75		
Insertion Loss (dB)	1.76 Typ 2.4max @ 25°C (2.6max. @ -40~85°C)		
Return Loss	9.0 dB min.		
Attenuation	37dB Typ @ 1125 (28dB min.) 35dB Typ @ 1126~1675 MHz (28 min.)		
Reel Quantity	2,000	Operating Temp.	-40 ~ +85°C
Recommended Storage Conditions	+5 ~ +35°C, Humidity: 45~75%RH	Storage Period*	18 Months max.
		Power Capacity	1W max.(CW)



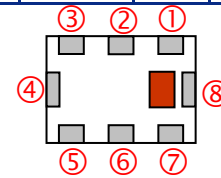
\*18 months max in vacuum sealed bag, after bag opened, 1 week cumulative, Please keep unused parts in vacuum sealed bags at all times. For more info go to [www.johansontechnology.com/silverleads](http://www.johansontechnology.com/silverleads).

P/N Suffix	Packing Style	Bulk	Suffix = S	eg. 1000LP41B1000S
		T & R	Suffix = E	eg. 1000LP41B1000E
	Evaluation Board	1000LP41B1000-EB1SMA		

Mechanical Specifications		
	In	mm
L	0.126 ± 0.008	3.20 ± 0.20
W	0.098 ± 0.008	2.50 ± 0.20
T	0.059 ± 0.006	1.50 ± 0.15
a1	0.022 ± 0.006	0.55 ± 0.15
a2	0.028 ± 0.008	0.70 ± 0.20
b	0.039min	0.1min
c	0.012 ± 0.008	0.30 ± 0.20
g	0.018 ± 0.006	0.45 ± 0.15
p	0.039 ± 0.008	1.00 ± 0.20



Terminal Configuration			
No.	Function	No.	Function
1	GND	5	GND
2	GND	6	GND
3	GND	7	GND
4	In/Out	8	In/Out



Want the layout/gerfile file of this component? Send us a message at: [www.johansontechnology.com/component/techquestion](http://www.johansontechnology.com/component/techquestion)

Johanson Technology, Inc. reserves the right to make design changes without notice.  
All sales are subject to Johanson Technology, Inc. terms and conditions.



[www.johansontechnology.com](http://www.johansontechnology.com)

4001 Calle Tecate • Camarillo, CA 93012 • TEL 805.389.1166 FAX 805.389.1821

Ver. 1.0

2014 Johanson Technology, Inc. All Rights Reserved

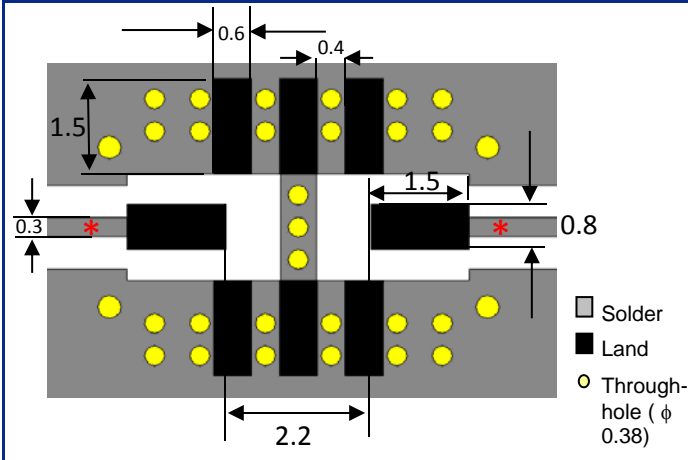
# High Frequency Ceramic Solutions

1GHz High Rejection Low Pass Filter (SMD), 75Ω. Recommended Application: STB P/N 1000LP41B1000

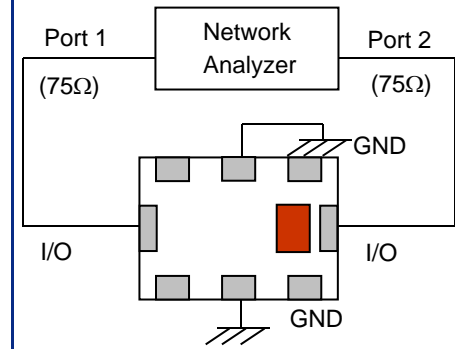
Detail Specification: 4/3/2014

Page 2 of 3

## Mounting Considerations

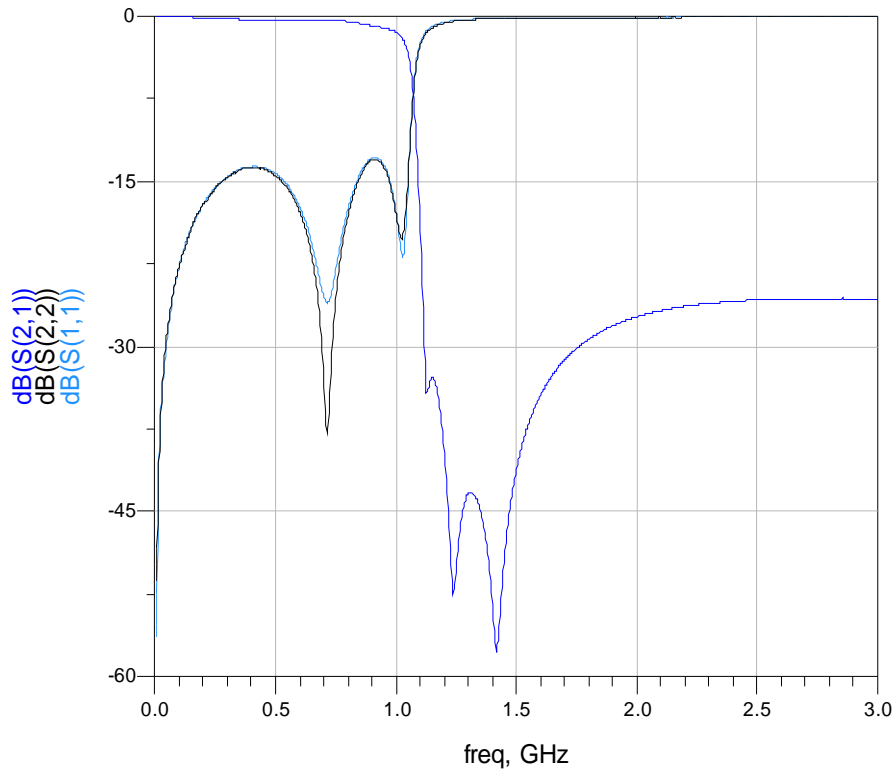


## Measuring Diagram



Need the layout file of the above? Send us a message at: <http://www.johansontechnology.com/component/techquestion>

## Electrical Characteristics (T=25°C)



Johanson Technology, Inc. reserves the right to make design changes without notice.  
 All sales are subject to Johanson Technology, Inc. terms and conditions.

# High Frequency Ceramic Solutions

1GHz High Rejection Low Pass Filter (SMD), 75Ω. Recommended Application: STB P/N 1000LP41B1000

Detail Specification: 4/3/2014

Page 3 of 3

## RoHS Compliance

[www.johansontechnology.com/technical-notes/rohs-compliance.html](http://www.johansontechnology.com/technical-notes/rohs-compliance.html)

## Packaging information

[www.johansontechnology.com/ipcpackaging.html](http://www.johansontechnology.com/ipcpackaging.html)

## Soldering Information

[www.johansontechnology.com/ipcsoldering-profile](http://www.johansontechnology.com/ipcsoldering-profile)

## Layout Files, s-parameters and any other technical questions

[www.johansontechnology.com/component/techquestion/?Itemid=407](http://www.johansontechnology.com/component/techquestion/?Itemid=407)

## MSL Info

[www.johansontechnology.com/technical-notes/msl-rating.html](http://www.johansontechnology.com/technical-notes/msl-rating.html)

## Recommended Storage Condition and Max Shelf Life

[www.johansontechnology.com/ipcstorage-shelflife](http://www.johansontechnology.com/ipcstorage-shelflife)

## Antenna layout and tuning techniques

[www.johansontechnology.com/tuning](http://www.johansontechnology.com/tuning)

## Antenna layout review, tuning, and characterization services

[www.johansontechnology.com/ipcantennaservices](http://www.johansontechnology.com/ipcantennaservices)

Johanson Technology, Inc. reserves the right to make design changes without notice.

All sales are subject to Johanson Technology, Inc. terms and conditions.



[www.johansontechnology.com](http://www.johansontechnology.com)

4001 Calle Tecate • Camarillo, CA 93012 • TEL 805.389.1166 FAX 805.389.1821

Ver. 1.0

2014 Johanson Technology, Inc. All Rights Reserved

## X-ON Electronics

Largest Supplier of Electrical and Electronic Components

*Click to view similar products for [Signal Conditioning](#) category:*

*Click to view products by [Johanson](#) manufacturer:*

Other Similar products are found below :

[MAPDCC0001](#) [MAPDCC0004](#) [PD0409J5050S2HF](#) [880157](#) [HHS-109-PIN](#) [DC1417J5005AHF](#) [AFS14A30-2185.00-T3](#) [AFS14A35-1591.50-T3](#) [B39321R801H210](#) [1A0220-3](#) [JP510S](#) [LFB212G45SG8C341](#) [LFB322G45SN1A504](#) [LFL182G45TC3B746](#) [SF2159E](#) [30057](#) [FM-104-PIN](#) [CER0813B](#) [MAPDCC0005](#) [3A325](#) [40287](#) [41180](#) [ATB3225-75032NCT](#) [BD0810N50100AHF](#) [BD2425J50200AHF](#) [C5060J5003AHF](#) [JHS-115-PIN](#) [JP503AS](#) [DC0710J5005AHF](#) [DC2327J5005AHF](#) [DC3338J5005AHF](#) [43020](#) [LFB2H2G60BB1C106](#) [LFL15869MTC1B787](#) [X3C19F1-20S](#) [XC3500P-20S](#) [10013-20](#) [SF2194E](#) [CDBLB455KCAX39-B0](#) [TGL2208-SM, EVAL](#) [RF1353C](#) [PD0922J5050D2HF](#) [1E1305-3](#) [1F1304-3S](#) [1G1304-30](#) [B0922J7575AHF](#) [2020-6622-20](#) [TP-103-PIN](#) [BD1222J50200AHF](#) [BD1722J50100AHF](#)