

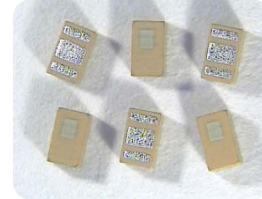
# High Frequency Ceramic Solutions

**2025 MHz LTE Low Pass Filter. EIA 0805 with reduced footprint using LGA pads P/N 2025LP15A1225**

Detail Specification: 09/03/14

Page 1 of 3

|                            |                                   |             |             |                              |              |
|----------------------------|-----------------------------------|-------------|-------------|------------------------------|--------------|
| <b>Frequency (MHz)</b>     | 800~1000                          | 1700~1910   | 2010~2025   |                              |              |
| <b>Insertion Loss @ BW</b> | 0.5 max. dB                       | 0.8 max. dB | 1.5 max. dB |                              |              |
| <b>Return Loss</b>         | 9.5dB min.                        |             |             |                              |              |
| <b>Attenuation</b>         | @2300~6100MHz, 25dB Typ, 20dB min |             |             |                              |              |
|                            | @3700~4100MHz, 34dB Typ, 30dB min |             |             |                              |              |
|                            | @6100~8000MHz, 15dB Typ, 10dB min |             |             |                              |              |
| <b>Solder Paste</b>        | SAC 305 type is recommended.      |             |             | <b>Power Capacity</b>        | 2W max. (CW) |
| <b>Storage Period</b>      | 18 months max. in package*        |             |             | <b>Reel Quantity</b>         | 4,000        |
|                            |                                   |             |             | <b>Operating Temperature</b> | -40 to +85°C |
|                            |                                   |             |             | <b>Storage Temperature</b>   | -40 to +85°C |



\*CAUTION: 18 months in vacuum sealed bag and 1 week after opened. Please keep unused parts in vacuum sealed bags. Go to: <http://www.johansontechnology.com/silverleads> for more info.

## Part Number Explanation

|                   |                                     |       |               |                                      |
|-------------------|-------------------------------------|-------|---------------|--------------------------------------|
| <b>P/N Suffix</b> | <b>Packing Style</b>                | Bulk  | Suffix = S    | 2025LP15A1225S                       |
|                   |                                     | T & R | Suffix = E    | 2025LP15A1225E (Reel Size: 4000pcs)  |
|                   | <b>Termination style</b>            | AgPt  | Suffix = None | 2025LP15A1225(E/R/S)                 |
|                   | <b>50Ω SMA Connector Eval Board</b> |       |               | 2025LP15A1225-EB1SMA (orderable p/n) |

## Mechanical Dimensions

|          | In            | mm          |  |
|----------|---------------|-------------|--|
| <b>L</b> | 0.079 ± 0.006 | 2.00 ± 0.15 |  |
| <b>W</b> | 0.049 ± 0.004 | 1.25 ± 0.10 |  |
| <b>T</b> | 0.037 max.    | 0.95 max.   |  |
| <b>a</b> | 0.037 ± 0.004 | 0.95 ± 0.10 |  |
| <b>b</b> | 0.011 ± 0.004 | 0.28 ± 0.10 |  |
| <b>c</b> | 0.024 ± 0.004 | 0.60 ± 0.10 |  |
| <b>d</b> | 0.010 ± 0.002 | 0.25 ± 0.05 |  |

## Terminal Configuration

| No.      | Function |
|----------|----------|
| <b>1</b> | IN       |
| <b>2</b> | GND      |
| <b>3</b> | OUT      |

## Mounting Considerations

Solder Resist  
 Land  
 Through-hole ( $\phi 0.35$ )

\* Line width should be designed to match 50ohm characteristic impedance, depending on PCB material and thickness.

Would you like the layout file of this filter or need help with the RF layout? Contact our RF Applications Engineering team at: [www.johansontechnology.com/component/techquestion](http://www.johansontechnology.com/component/techquestion)

Johanson Technology, Inc. reserves the right to make design changes without notice.

All sales are subject to Johanson Technology, Inc. terms and conditions.



[www.johansontechnology.com](http://www.johansontechnology.com)

4001 Calle Tecate • Camarillo, CA 93012 • TEL 805.389.1166 FAX 805.389.1821

Ver. 1.1

2014 Johanson Technology, Inc. All Rights Reserved

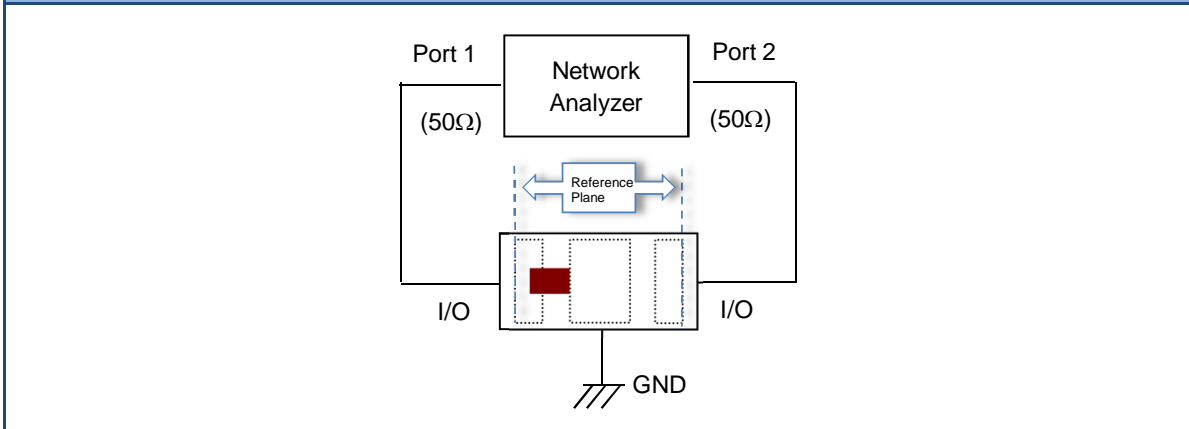
# "High Frequency Ceramic Solutions"

2025 MHz LTE Low Pass Filter. EIA 0805 with reduced footprint using LGA pads P/N 2025LP15A1225

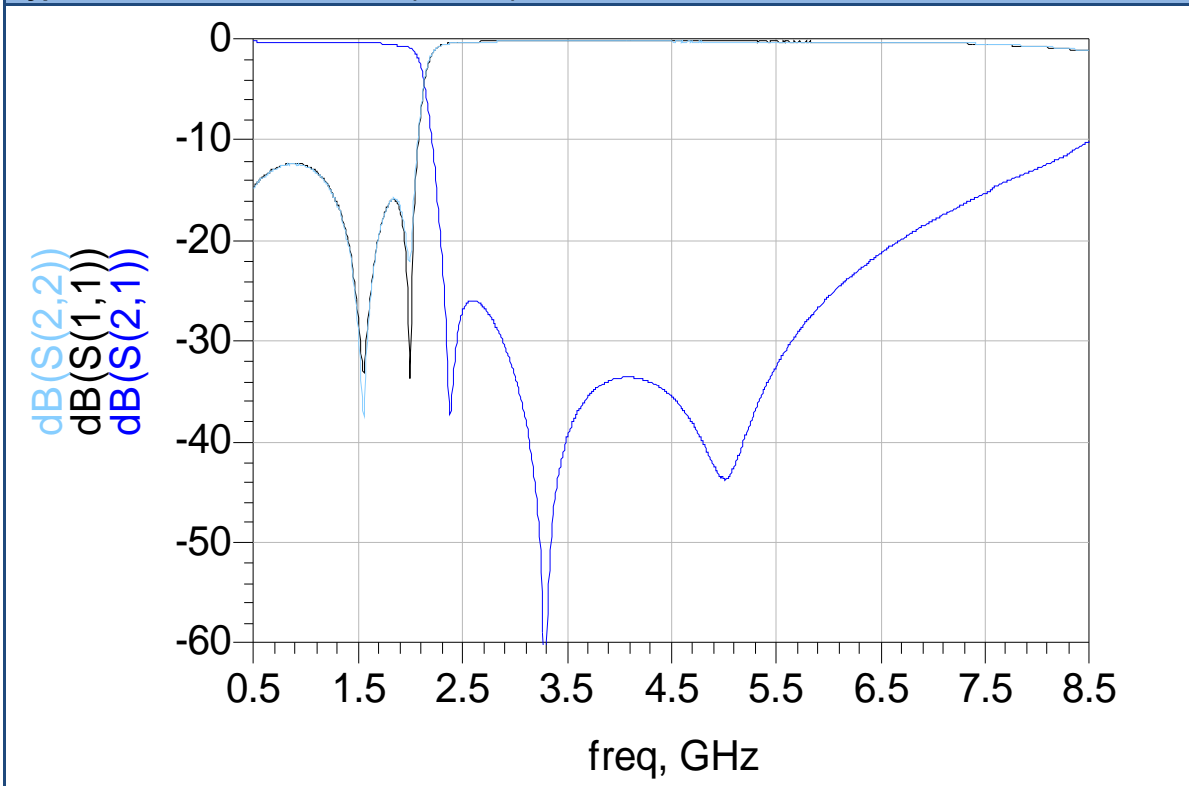
Detail Specification: 09/03/14

Page 2 of 3

## Measuring Diagram



## Typical Electrical Performance (T=25°C)



Johanson Technology, Inc. reserves the right to make design changes without notice.

All sales are subject to Johanson Technology, Inc. terms and conditions.



[www.johansontechnology.com](http://www.johansontechnology.com)

4001 Calle Tecate • Camarillo, CA 93012 • TEL 805.389.1166 FAX 805.389.1821

Ver. 1.1

2014 Johanson Technology, Inc. All Rights Reserved

# "High Frequency Ceramic Solutions"

2025 MHz LTE Low Pass Filter. EIA 0805 with reduced footprint using LGA pads P/N 2025LP15A1225

Detail Specification: 09/03/14

Page 3 of 3

## To Download Measured S-parameters for Evaluation and Simulation:

[www.johansontechnology.com/lpf](http://www.johansontechnology.com/lpf)

## Soldering Information

[www.johansontechnology.com/ipcsoldering-profile](http://www.johansontechnology.com/ipcsoldering-profile)

## RoHS Compliance

[www.johansontechnology.com/technical-notes/rohs-compliance.html](http://www.johansontechnology.com/technical-notes/rohs-compliance.html)

## MSL Info

[www.johansontechnology.com/technical-notes/msl-rating.html](http://www.johansontechnology.com/technical-notes/msl-rating.html)

## Packaging information

[www.johansontechnology.com/ipcpackaging.html](http://www.johansontechnology.com/ipcpackaging.html)

## For layout review contact our Applications Team at:

[www.johansontechnology.com/component/techquestion](http://www.johansontechnology.com/component/techquestion)

Johanson Technology, Inc. reserves the right to make design changes without notice.

All sales are subject to Johanson Technology, Inc. terms and conditions.



[www.johansontechnology.com](http://www.johansontechnology.com)

4001 Calle Tecate • Camarillo, CA 93012 • TEL 805.389.1166 FAX 805.389.1821

Ver. 1.1

2014 Johanson Technology, Inc. All Rights Reserved

## X-ON Electronics

Largest Supplier of Electrical and Electronic Components

*Click to view similar products for [Signal Conditioning](#) category:*

*Click to view products by [Johanson](#) manufacturer:*

Other Similar products are found below :

[MAPDCC0001](#) [MAPDCC0004](#) [PD0409J5050S2HF](#) [880157](#) [HHS-109-PIN](#) [DC1417J5005AHF](#) [AFS14A30-2185.00-T3](#) [AFS14A35-1591.50-T3](#) [B39321R801H210](#) [1A0220-3](#) [JP510S](#) [LFB212G45SG8C341](#) [LFB322G45SN1A504](#) [LFL182G45TC3B746](#) [SF2159E](#) [30057](#) [FM-104-PIN](#) [CER0813B](#) [MAPDCC0005](#) [3A325](#) [40287](#) [41180](#) [ATB3225-75032NCT](#) [BD0810N50100AHF](#) [BD2425J50200AHF](#) [C5060J5003AHF](#) [JHS-115-PIN](#) [JP503AS](#) [DC0710J5005AHF](#) [DC2327J5005AHF](#) [DC3338J5005AHF](#) [43020](#) [LFB2H2G60BB1C106](#) [LFL15869MTC1B787](#) [X3C19F1-20S](#) [XC3500P-20S](#) [10013-20](#) [SF2194E](#) [CDBLB455KCAX39-B0](#) [TGL2208-SM, EVAL](#) [RF1353C](#) [PD0922J5050D2HF](#) [1E1305-3](#) [1F1304-3S](#) [1G1304-30](#) [B0922J7575AHF](#) [2020-6622-20](#) [TP-103-PIN](#) [BD1222J50200AHF](#) [BD1722J50100AHF](#)