

High Frequency Ceramic Solutions

2.45GHz Mini (EIA 0504) Passive Band Pass Filter, LGA pads, SMD

P/N 2450BP08A0100

Detail Specification: 3/3/2020

Page 1 of 4

General Specifications

Part Number	2450BP08A0100
Frequency (MHz)	2400 - 2500
Insertion Loss (dB)	1.0 max.@25°C 1.2 max.@105°C
Return Loss (dB)	10 min.
Power Capacity (W)	2 max. (CW)



Attenuation (dB)		Solder Paste	SAC 305 type is recommended
50 - 960 MHz	15 min.	Reel Quantity	4,000 pcs
1710 - 1990 MHz	10 min.	Operating Temperature	-40 to +105°C
3600 MHz	15 min.	Recommended Storage Conditions of unused product on T&R	+5 to +35°C, 18 mos. max. Humidity 45~75% RH
4800 - 5000 MHz	30 min.		
5000 - 7200 MHz	25 min.		

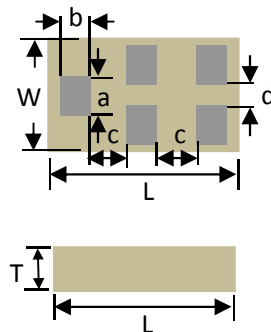
*18 months in vacuum sealed bag and 1 week after opened. Please keep unused parts in vacuum sealed bags. For more info go to <https://www.johansontechnology.com/silverleads-profile>

Part Number Explanation

P/N Suffix	Packing Style	Bulk	Suffix = S	Eg. 2450BP08A0100S
		T & R	Suffix = T	Eg. 2450BP08A0100T
	Evaluation Board	2450BP08A0100-EB1SMA (2 female SMA connectors)		

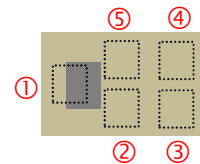
Mechanical Dimensions

	In	mm
L	0.055 ± 0.006	1.40 ± 0.15
W	0.043 ± 0.006	1.10 ± 0.15
T	0.024 max.	0.6 max
a	0.013 ± 0.004	0.33 ± 0.10
b	0.010 ± 0.004	0.25 ± 0.10
c	0.010 ± 0.002	0.25 ± 0.05
d	0.010 ± 0.002	0.25 ± 0.05



Terminal Configuration

No.	Function
1	IN/OUT
2	GND
3	GND
4	IN/OUT
5	GND
6	GND



Johanson Technology, Inc. reserves the right to make design changes without notice.

All sales are subject to Johanson Technology, Inc. terms and conditions.



<https://www.johansontechnology.com>

4001 Calle Tecate • Camarillo, CA 93012, USA • TEL +1.805.389.1166

Ver 2.0

2020 Johanson Technology, Inc. All Rights Reserved

High Frequency Ceramic Solutions

2.45GHz Mini (EIA 0504) Passive Band Pass Filter, LGA pads, SMD

P/N 2450BP08A0100

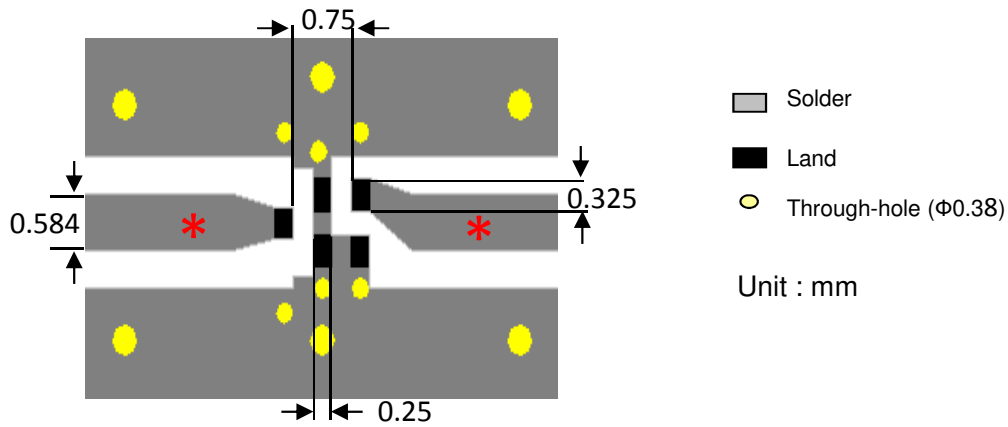
Detail Specification: 3/3/2020

Page 2 of 4

Mounting Considerations

Mount these devices with colored mark facing up.

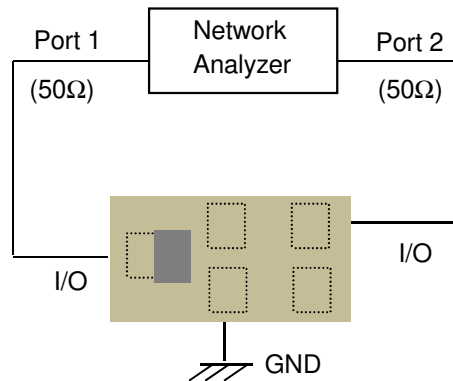
* Line width should be designed to provide 50ohm impedance matching characteristics.



Need our help laying this out for you? Need the layout file? Send us a message at:

<https://www.johansontechnology.com/ask-a-question>

Measuring Diagram



Johanson Technology, Inc. reserves the right to make design changes without notice.

All sales are subject to Johanson Technology, Inc. terms and conditions.



<https://www.johansontechnology.com>

4001 Calle Tecate • Camarillo, CA 93012, USA • TEL +1.805.389.1166

Ver 2.0

2020 Johanson Technology, Inc. All Rights Reserved

High Frequency Ceramic Solutions

2.45GHz Mini (EIA 0504) Passive Band Pass Filter, LGA pads, SMD

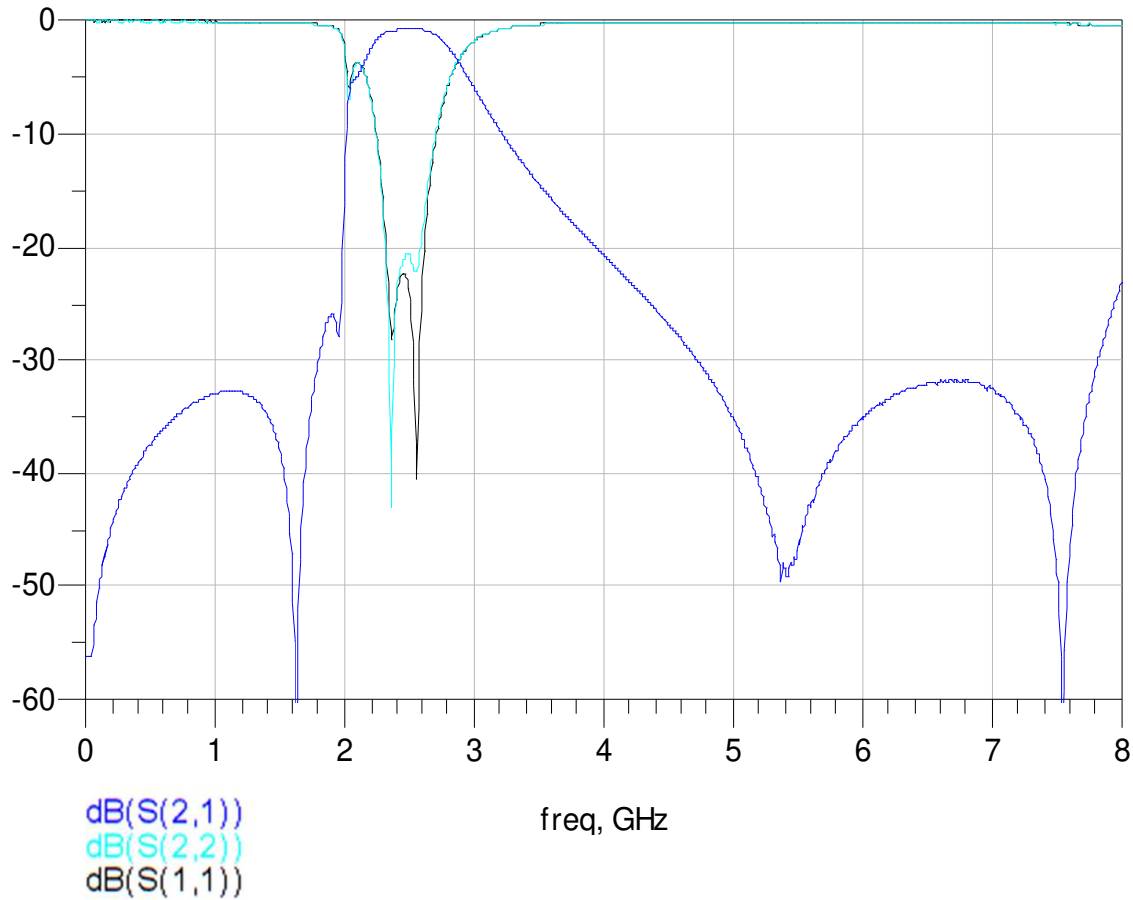
P/N 2450BP08A0100

Detail Specification: 3/3/2020

Page 3 of 4

Typical Electrical Characteristics (T=25°C)

Insertion and Return Loss



Johanson Technology, Inc. reserves the right to make design changes without notice.

All sales are subject to Johanson Technology, Inc. terms and conditions.



<https://www.johansontechnology.com>

4001 Calle Tecate • Camarillo, CA 93012, USA • TEL +1.805.389.1166

Ver 2.0

2020 Johanson Technology, Inc. All Rights Reserved

High Frequency Ceramic Solutions

2.45GHz Mini (EIA 0504) Passive Band Pass Filter, LGA pads, SMD

P/N 2450BP08A0100

Detail Specification: 3/3/2020

Page 4 of 4

Application Notes, Layout Files, and more

<https://www.johansontechnology.com/band-pass-filters>

Packaging information

<https://www.johansontechnology.com/tape-reel-packaging>

Soldering Information

<https://www.johansontechnology.com/ipcsoldering-profile>

MSL Info

<https://www.johansontechnology.com/msl-rating>

Recommended Storage Condition and Max Shelf Life

<https://www.johansontechnology.com/recommended-storage-conditions>

RoHS Compliance

<https://www.johansontechnology.com/rohs-compliance>

Antenna layout and tuning techniques

<https://www.johansontechnology.com/tuning>

Antenna layout review, tuning, and characterization services

<https://www.johansontechnology.com/ipc-antenna-services>

P/N Explanation and Breakdown

<https://www.johansontechnology.com/ipc-pn-explained>

Johanson Technology, Inc. reserves the right to make design changes without notice.

All sales are subject to Johanson Technology, Inc. terms and conditions.



<https://www.johansontechnology.com>

4001 Calle Tecate • Camarillo, CA 93012, USA • TEL +1.805.389.1166

Ver 2.0

2020 Johanson Technology, Inc. All Rights Reserved

X-ON Electronics

Largest Supplier of Electrical and Electronic Components

Click to view similar products for [Signal Conditioning](#) category:

Click to view products by [Johanson](#) manufacturer:

Other Similar products are found below :

[MAPDCC0001](#) [MAPDCC0004](#) [PD0409J5050S2HF](#) [880157](#) [HHS-109-PIN](#) [DC1417J5005AHF](#) [AFS14A30-2185.00-T3](#) [AFS14A35-1591.50-T3](#) [B39321R801H210](#) [1A0220-3](#) [JP510S](#) [LFB212G45SG8C341](#) [LFB322G45SN1A504](#) [LFL182G45TC3B746](#) [SF2159E](#) [30057](#) [FM-104-PIN](#) [CER0813B](#) [MAPDCC0005](#) [3A325](#) [40287](#) [41180](#) [ATB3225-75032NCT](#) [BD0810N50100AHF](#) [BD2425J50200AHF](#) [C5060J5003AHF](#) [JHS-115-PIN](#) [JP503AS](#) [DC0710J5005AHF](#) [DC2327J5005AHF](#) [DC3338J5005AHF](#) [43020](#) [LFB2H2G60BB1C106](#) [LFL15869MTC1B787](#) [X3C19F1-20S](#) [XC3500P-20S](#) [10013-20](#) [SF2194E](#) [CDBLB455KCAX39-B0](#) [TGL2208-SM, EVAL](#) [RF1353C](#) [PD0922J5050D2HF](#) [1E1305-3](#) [1F1304-3S](#) [1G1304-30](#) [B0922J7575AHF](#) [2020-6622-20](#) [TP-103-PIN](#) [BD1222J50200AHF](#) [BD1722J50100AHF](#)