

"High Frequency Ceramic Solutions"

Mini Passive RF Diplexer 2.4/5.4GHz for 802.11-WLAN-WiFi

P/N 2450DP14C5400

EIA 0603 with LPF/BPF Filtering Scheme

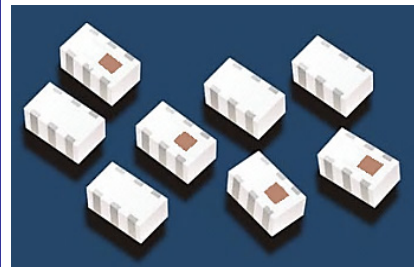
Detail Specification: 9/25/2014

Page 1 of 3

Not exactly what you are looking for and want to see our other diplexers? Go to: www.johansontechnology.com/diplexers

General Specifications

Part Number	2450DP14C5400	
Passband (MHz)	2400~2500	4900~5900
Insertion Loss (dB)	0.8 max.	1.2 max.
Attenuation I (db)	18 min. @ 4.8 ~ 6.0 GHz	18 min. @ 2.4 ~ 2.5 GHz
Attenuation II (db)	20 min. @ 7.2 to 7.5GHz	18 min. @ 9.8 to 11.8GHz
Passband VSWR	2.0 max.	2.0 max.
Operating Temp. Range	-40 to +85 °C	
Recom. Storage Conditions ¹	+5 to +35 °C, Humidity 45~75%RH	
Storage Period	18 months max.	



Power Capacity	2W max. (CW)
Reel Quantity	4,000

¹This applies on to pre-intallation storage (i.e. still on T&R)

Mechanical Dimensions

	In	mm
L	0.063 ± 0.004	1.6 ± 0.1
W	0.031 ± 0.004	0.8 ± 0.1
T	0.016 ± 0.004	0.4 ± 0.1
a	0.008 ± 0.004	0.2 ± 0.1
b	0.008 ± .004/.006	0.2 ± 0.1/0.15
c	0.006 ± 0.004	0.15 ± 0.1
g	0.012 ± 0.004	0.3 ± 0.1
p	0.020 ± 0.002	0.5 ± 0.05

Terminal Configuration

No.	Function	No.	Function
1	High Freq (5.4GHz) Band	4	GND
2	GND	5	Common Port
3	Low Freq (2.45GHz) Band	6	GND

Part Number Explanation

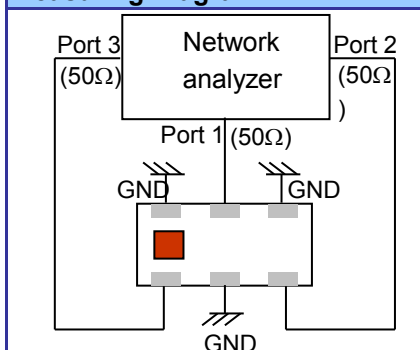
P/N Suffix	Packing Style	Bulk	Suffix = S	eg. 2450DP14C5400S
		T & R	Suffix = E	eg. 2450DP14C5400T
	Termination style	100% Tin	Suffix = None	eg. 2450DP14C5400(T or S)
Evaluation Board		2450DP14C5400-EB1SMA		

Mounting Considerations

* Line width should be designed to match 50ohm characteristic impedance, depending on PCB material

Need the layout file of the above? Send us a message at: <http://www.johansontechnology.com/component/techquestion>

Measuring Diagram



"High Frequency Ceramic Solutions"

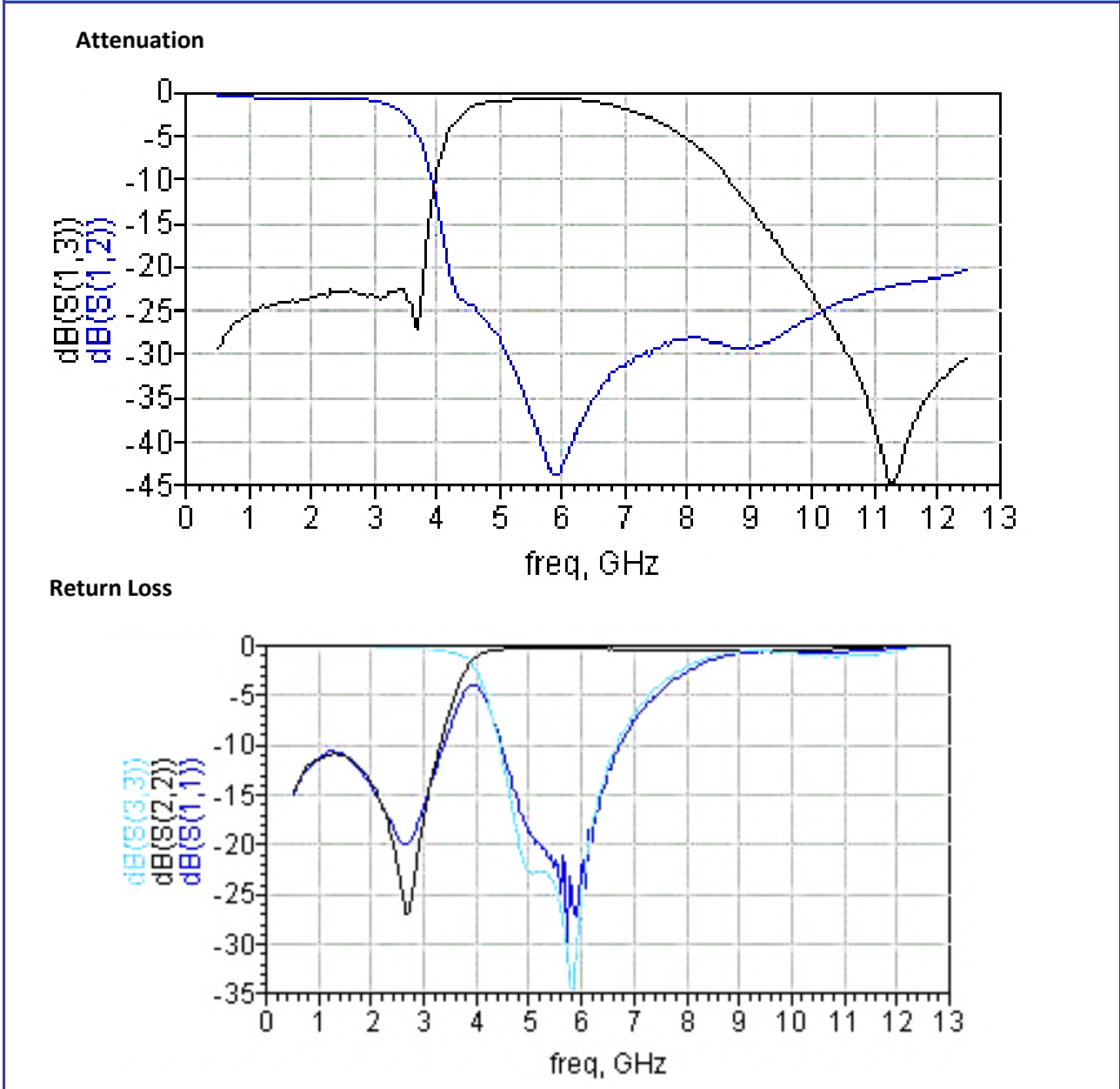
Mini Passive RF Diplexer 2.4/5.4GHz for 802.11-WLAN-WiFi
EIA 0603 with LPF/BPF Filtering Scheme

P/N 2450DP14C5400

Detail Specification: 9/25/2014

Page 2 of 3

Typical Electrical Characteristics (T=25 °C)



The contents of this data sheet are subject to change without notice. Please confirm the specifications and delivery conditions when placing your order. All sales are subject to Johanson Technology, Inc. terms and conditions.

"High Frequency Ceramic Solutions"

**Mini Passive RF Diplexer 2.4/5.4GHz for 802.11-WLAN-WiFi
EIA 0603 with LPF/BPF Filtering Scheme**

P/N 2450DP14C5400

Detail Specification: 9/25/2014

Page 3 of 3

RoHS Compliance

www.johansontechnology.com/technical-notes/rohs-compliance.html

Packaging information

www.johansontechnology.com/ipcpackaging.html

Soldering Information

www.johansontechnology.com/ipcsoldering-profile

Layout Files, s-parameters and any other technical questions

www.johansontechnology.com/component/techquestion/?Itemid=407

MSL Info

www.johansontechnology.com/technical-notes/msl-rating.html

Recommended Storage Condition and Max Shelf Life

www.johansontechnology.com/ipcstorage-shelflife

Antenna layout and tuning techniques

www.johansontechnology.com/tuning

Antenna layout review, tuning, and characterization services

www.johansontechnology.com/ipcantennaservices

The contents of this data sheet are subject to change without notice. Please confirm the specifications and delivery conditions when placing your order. All sales are subject to Johanson Technology, Inc. terms and conditions.



Ver. 1.1

www.johansontechnology.com

4001 Calle Tecate • Camarillo, CA 93012 • TEL 805.389.1166 FAX 805.389.1821

2014 Johanson Technology, Inc. All Rights Reserved

X-ON Electronics

Largest Supplier of Electrical and Electronic Components

Click to view similar products for [Signal Conditioning](#) category:

Click to view products by [Johanson](#) manufacturer:

Other Similar products are found below :

[MAPDCC0001](#) [MAPDCC0004](#) [PD0409J5050S2HF](#) [880157](#) [HHS-109-PIN](#) [DC1417J5005AHF](#) [AFS14A30-2185.00-T3](#) [AFS14A35-1591.50-T3](#) [DS-323-PIN](#) [B39321R801H210](#) [1A0220-3](#) [JP510S](#) [LFB212G45SG8C341](#) [LFB322G45SN1A504](#) [LFL182G45TC3B746](#) [SF2159E](#) [30057](#)
[FM-104-PIN](#) [CER0813B](#) [MAPDCC0005](#) [3A325](#) [40287](#) [41180](#) [ATB3225-75032NCT](#) [BD0810N50100AHF](#) [BD2425J50200AHF](#)
[C5060J5003AHF](#) [JHS-115-PIN](#) [JP503AS](#) [DC0710J5005AHF](#) [DC2327J5005AHF](#) [DC3338J5005AHF](#) [43020](#) [LFB2H2G60BB1C106](#)
[LFL15869MTC1B787](#) [X3C19F1-20S](#) [XC3500P-20S](#) [10013-20](#) [SF2194E](#) [CDBLB455KCAX39-B0](#) [TGL2208-SM, EVAL](#) [RF1353C](#)
[PD0922J5050D2HF](#) [1E1305-3](#) [1F1304-3S](#) [1G1304-30](#) [B0922J7575AHF](#) [2020-6622-20](#) [TP-103-PIN](#) [BD1222J50200AHF](#)