

"High Frequency Ceramic Solutions"

Mini Passive RF Diplexer 2.4/5.4GHz for 802.11-WLAN-WiFi
EIA 0603 with LPF/BPF Filtering Scheme

P/N 2450DP14G5400

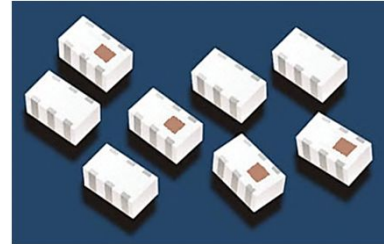
Detail Specification: 5/17/2017

Page 1 of 3

Not exactly what you are looking for and want to see our other diplexers? Go to: www.johansontechnology.com/diplexers

General Specifications

Part Number	2450DP14G5400	
Passband (MHz)	2400~2500	4900~5950
Insertion Loss (dB)	0.58dB typ. (0.75 max.)	0.8 typ. (1.1 max.)
Attenuation I (db)	25 min. @ 4.8-5.0 GHz	20 min. @ 1.8-2.5 GHz
Attenuation II (db)	20 min. @ 7.2-7.5GHz	15 min. @ 9.8-11.9GHz
Return Loss	9.5 dB min.	9.5 dB min.
Power Capacity	2W max. (CW)	
Storage Period	18 months max.	
Reel Quantity	4,000	



Operating Temp.	-40 to +85 °C
Storage Temp.	-40 to +85 °C

Mechanical Dimensions

	In	mm
L	0.063 ± 0.004	1.6 ± 0.1
W	0.031 ± 0.004	0.8 ± 0.1
T	0.024 ± 0.004	0.6 ± 0.1
a	0.008 ± 0.004	0.2 ± 0.1
b	0.008 ± 0.004/0.006	0.2 ± 0.1/0.15
c	0.006 ± 0.004	0.15 ± 0.1
g	0.012 ± 0.004	0.3 ± 0.1
p	0.020 ± 0.002	0.5 ± 0.05

Terminal Configuration

No.	Function	No.	Function
1	Low Freq (2.45GHz) Band	4	GND
2	GND	5	Common Port
3	High Freq (5.4GHz) Band	6	GND

Part Number Explanation

P/N Suffix	Packing Style	Bulk	Suffix = S	eg. 2450DP14G5400S
		T & R	Suffix = T	eg. 2450DP14G5400T
	Termination style	100% Tin	Suffix = None	eg. 2450DP14G5400(T or S)
	Evaluation Board	2450DP14G5400-EB1SMA		

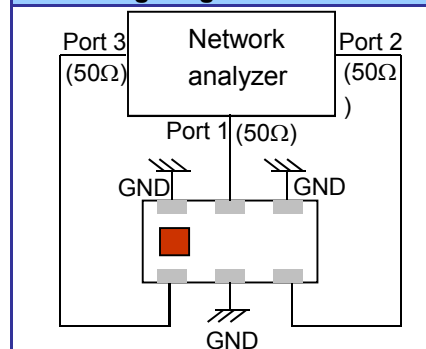
Would you like the layout file for component? Please send us as message at: www.johansontechnology.com/ask-a-question

Mounting Considerations

- Solder Resist
- Land
- Through-hole (φ 0.35)

* Line width should be designed to match 50Ω characteristic impedance (CPWG proffered), depending on PCB material and thickness.

Measuring Diagram



4001 Calle Tecate • Camarillo, CA 93012 • TEL 805.389.1166 FAX 805.389.1821

Ver. 1.1

2017 Johanson Technology, Inc. All Rights Reserved

www.johansontechnology.com

"High Frequency Ceramic Solutions"

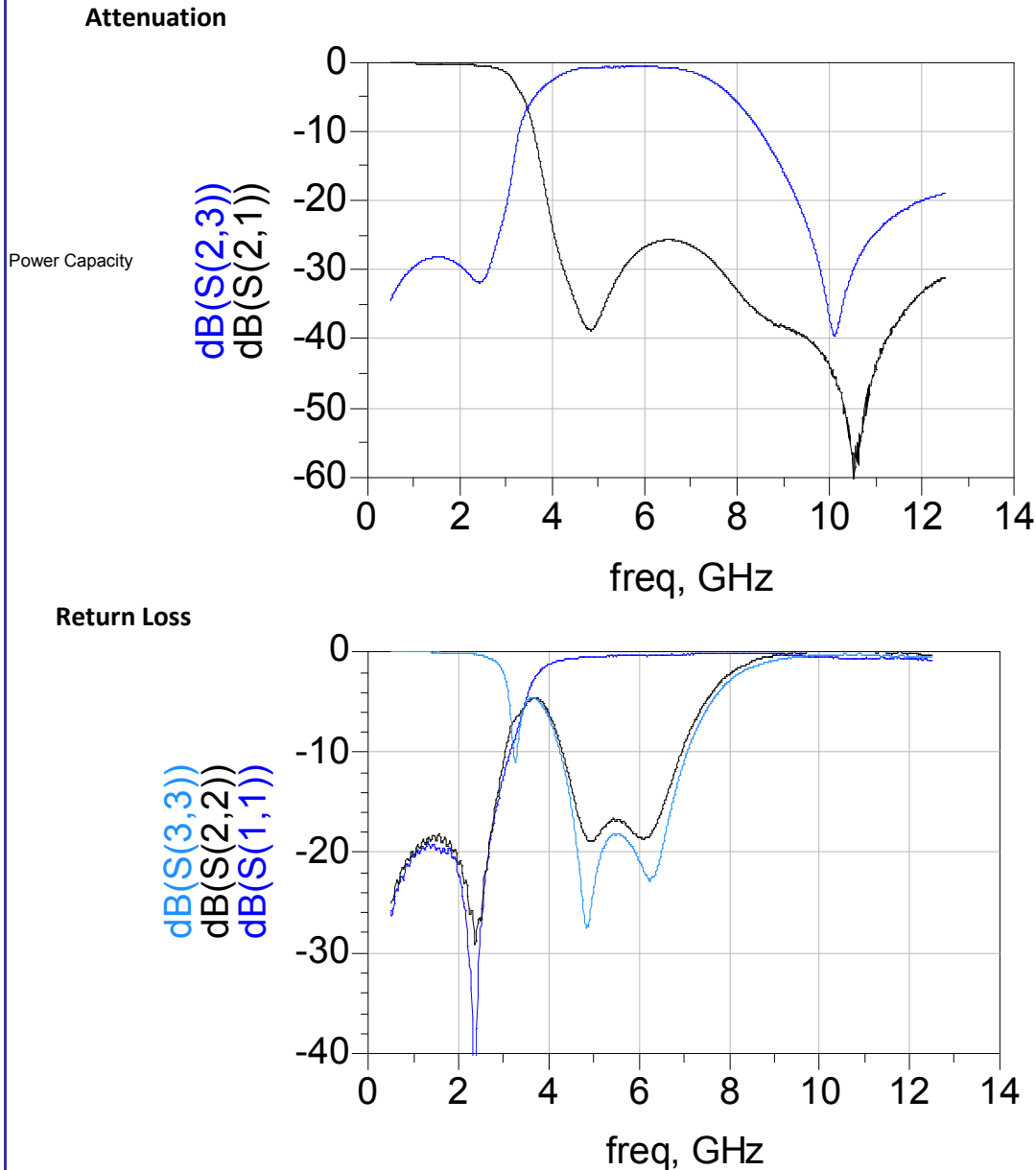
Mini Passive RF Diplexer 2.4/5.4GHz for 802.11-WLAN-WiFi
EIA 0603 with LPF/BPF Filtering Scheme

P/N 2450DP14G5400

Detail Specification: 5/17/2017

Page 2 of 3

Typical Electrical Characteristics (T=25 °C)



The contents of this data sheet are subject to change without notice. Please confirm the specifications and delivery conditions when placing your order. All sales are subject to Johanson Technology, Inc. terms and conditions.



"High Frequency Ceramic Solutions"

**Mini Passive RF Diplexer 2.4/5.4GHz for 802.11-WLAN-WiFi
EIA 0603 with LPF/BPF Filtering Scheme**

P/N 2450DP14G5400

Detail Specification: 5/17/2017

Page 3 of 3

RoHS Compliance

www.johansontechnology.com/rohs-compliance

Packaging information

www.johansontechnology.com/tape-reel-packaging

Soldering Information

www.johansontechnology.com/ipcsoldering-profile

Power Capacity

www.johansontechnology.com/ask-a-question

MSL Info

www.johansontechnology.com/msl-rating

Recommended Storage Condition and Max Shelf Life

www.johansontechnology.com/recommended-storage-conditions

Antenna layout and tuning techniques

www.johansontechnology.com/tuning

Antenna layout review, tuning, and characterization services

www.johansontechnology.com/ipc-antenna-services

Recommended Storage Conditions for uninstalled product on T&R.

+5 to +35 °C, Humidity 45~75%RH

The contents of this data sheet are subject to change without notice. Please confirm the specifications and delivery conditions when placing your order. All sales are subject to Johanson Technology, Inc. terms and conditions.



Ver. 1.1

www.johansontechnology.com

4001 Calle Tecate • Camarillo, CA 93012 • TEL 805.389.1166 FAX 805.389.1821

2017 Johanson Technology, Inc. All Rights Reserved

X-ON Electronics

Largest Supplier of Electrical and Electronic Components

Click to view similar products for [Signal Conditioning](#) category:

Click to view products by [Johanson](#) manufacturer:

Other Similar products are found below :

[MAPDCC0001](#) [MAPDCC0004](#) [PD0409J5050S2HF](#) [880157](#) [HHS-109-PIN](#) [DC1417J5005AHF](#) [AFS14A30-2185.00-T3](#) [AFS14A35-1591.50-T3](#) [B39321R801H210](#) [1A0220-3](#) [JP510S](#) [LFB212G45SG8C341](#) [LFB322G45SN1A504](#) [LFL182G45TC3B746](#) [SF2159E](#) [30057](#) [FM-104-PIN](#) [CER0813B](#) [MAPDCC0005](#) [3A325](#) [40287](#) [41180](#) [ATB3225-75032NCT](#) [BD0810N50100AHF](#) [BD2425J50200AHF](#) [C5060J5003AHF](#) [JHS-115-PIN](#) [JP503AS](#) [DC0710J5005AHF](#) [DC2327J5005AHF](#) [DC3338J5005AHF](#) [43020](#) [LFB2H2G60BB1C106](#) [LFL15869MTC1B787](#) [X3C19F1-20S](#) [XC3500P-20S](#) [10013-20](#) [SF2194E](#) [CDBLB455KCAX39-B0](#) [TGL2208-SM, EVAL](#) [RF1353C](#) [PD0922J5050D2HF](#) [1E1305-3](#) [1F1304-3S](#) [1G1304-30](#) [B0922J7575AHF](#) [2020-6622-20](#) [TP-103-PIN](#) [BD1222J50200AHF](#) [BD1722J50100AHF](#)