

# "High Frequency Ceramic Solutions"

## 2.45/5.5GHz SMD Diplexer for 802.11/WLAN/WiFi

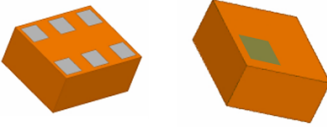
P/N 2450DP39K5400

Detail Specification: 4/25/2016

Page 1 of 3

Not exactly what you are looking for and want to see our other diplexers? Go to: [www.johansontechnology.com/diplexers](http://www.johansontechnology.com/diplexers)

### General Specifications

Passband (MHz)	2400 ~ 2500	4900 ~ 5900		
Insertion Loss (dB)	0.85 Typ. 1.0 max.	0.78 Typ. 1.2 max.		
VSWR	2.0 max.			
Attenuation (dB)	25typ/15min @ 1550-1610MHz 15typ/10min @ 3105MHz 22typ/20min @ 4800-4950MHz 24typ/15min @ 4900-5950MHz	38typ/30min @ 2400-2500MHz 19typ/15min @ 3105MHz 21typ/15min @ 9800-11900MHz		
Isolation (dB)	36 Typ. 32 min	25 Typ. 20 min.		
Operating Temp.	-40 to +85 °C			
			Storage Conditions <sup>1</sup>	-45 to +85°C
			Storage Period	18 months max.
			Power Capacity	2W max. (CW)
			Reel Quantity	3,000 pcs

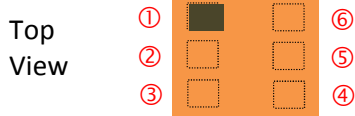
<sup>1</sup>For pre-installation storage (product still on T&R) +5 to +35 °C, Humidity 45~75%RH is recommended

### Part Number Explanation

P/N Suffix	Packing Style	Bulk	Suffix = S	eg. 2450DP39K5400S
		T & R	Suffix = E	eg. 2450DP39K5400E
	Termination style	100% Tin	Suffix = None	eg. 2450DP39K5400(E or S)
	Evaluation Board	2450DP39K5400-EB1SMA		

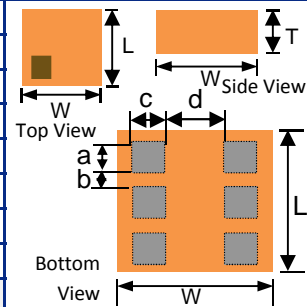
### Terminal Configuration

No.	Function	No.	Function
1	GND	4	Higher Freq. Port
2	Common Port	5	GND
3	GND	6	Lower Freq. Port



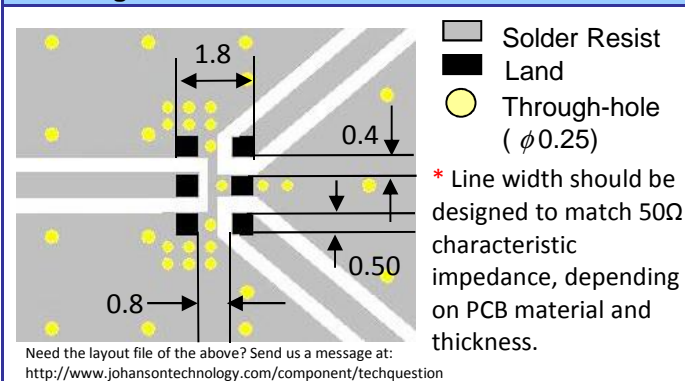
### Mechanical Dimensions

	In	mm
L	0.098 ± 0.008	2.5 ± 0.2
W	0.079 ± 0.008	2.0 ± 0.2
T	0.004 max.	1.0 max.
a	0.020 ± 0.004	0.5 ± 0.1
b	0.016 ± 0.004	0.4 ± 0.1
c	0.020 ± 0.004	0.5 ± 0.1
d	0.031 ± 0.006	0.8 ± 0.15



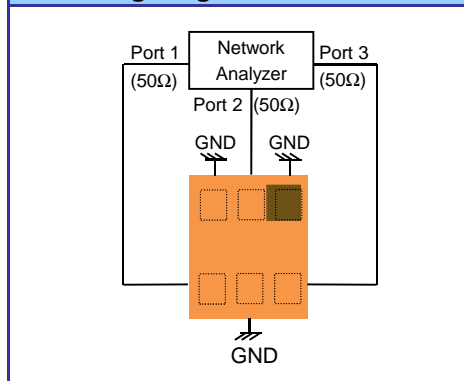
Component is AC coupled, no need for DC blocking cap between Low/High and Common Ports

### Mounting Considerations



Need the layout file of the above? Send us a message at: <http://www.johansontechnology.com/component/techquestion>

### Measuring Diagram



# "High Frequency Ceramic Solutions"

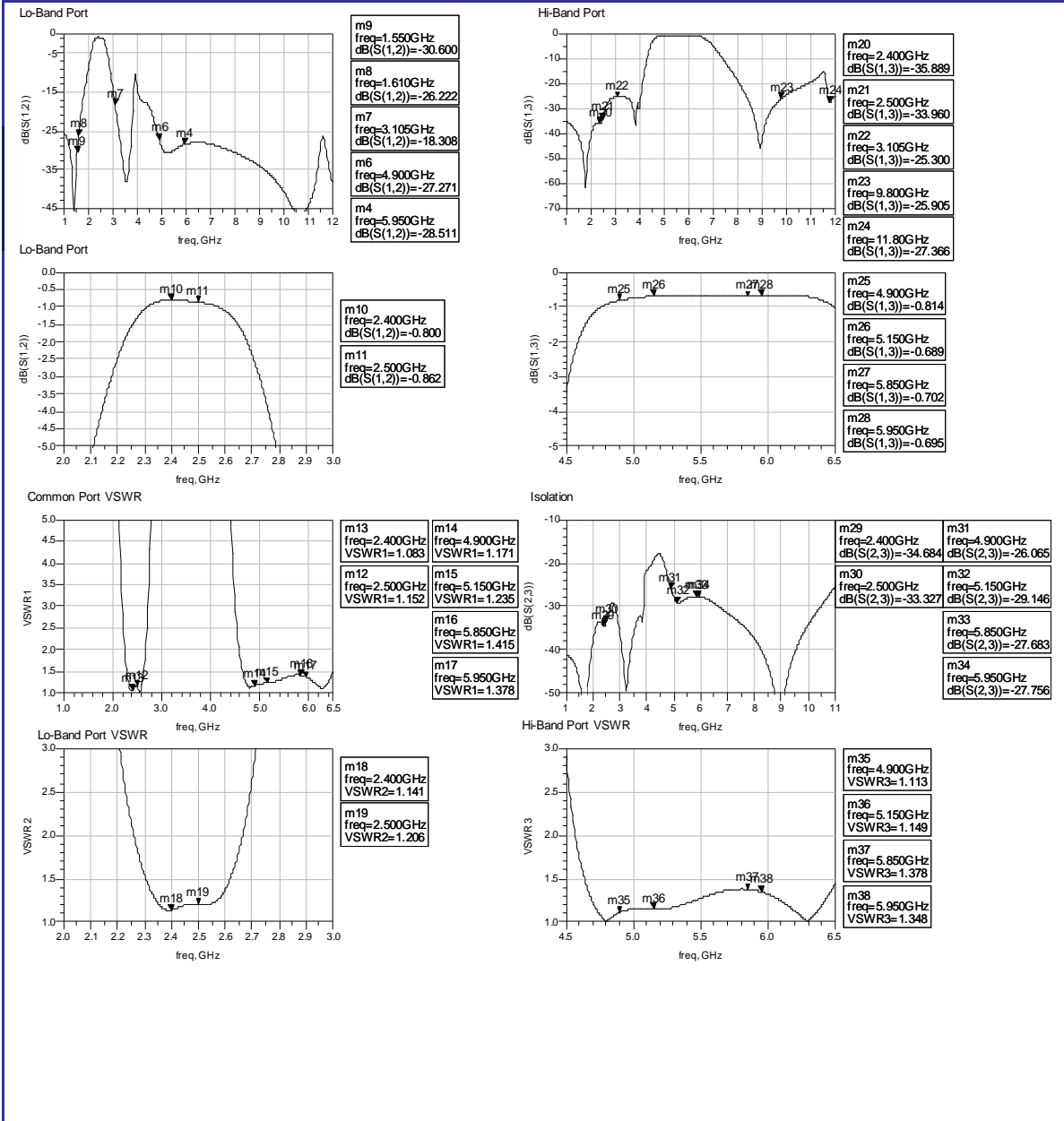
2.45/5.5GHz SMD Diplexer for 802.11/WLAN/WiFi

P/N 2450DP39K5400

Detail Specification: 4/25/2016

Page 2 of 3

## Typical Electrical Characteristics (T=25 °C)



The contents of this data sheet are subject to change without notice. Please confirm the specifications and delivery conditions when placing your order. All sales are subject to Johanson Technology, Inc. terms and conditions.



[www.johansontechnology.com](http://www.johansontechnology.com)

4001 Calle Tecate • Camarillo, CA 93012 • TEL 805.389.1166 FAX 805.389.1821

Ver. 2.3

2016 Johanson Technology, Inc. All Rights Reserved

# "High Frequency Ceramic Solutions"

2.45/5.5GHz SMD Diplexer for 802.11/WLAN/WiFi

P/N 2450DP39K5400

Detail Specification: 4/25/2016

Page 3 of 3

## RoHS Compliance

[www.johansontechnology.com/technical-notes/rohs-compliance.html](http://www.johansontechnology.com/technical-notes/rohs-compliance.html)

## Packaging information

[www.johansontechnology.com/ipcpackaging.html](http://www.johansontechnology.com/ipcpackaging.html)

## Soldering Information

[www.johansontechnology.com/ipcsoldering-profile](http://www.johansontechnology.com/ipcsoldering-profile)

## Layout Files, s-parameters and any other technical questions

[www.johansontechnology.com/component/techquestion/?Itemid=407](http://www.johansontechnology.com/component/techquestion/?Itemid=407)

## MSL Info

[www.johansontechnology.com/technical-notes/msl-rating.html](http://www.johansontechnology.com/technical-notes/msl-rating.html)

## Recommended Storage Condition and Max Shelf Life

[www.johansontechnology.com/ipcstorage-shelflife](http://www.johansontechnology.com/ipcstorage-shelflife)

## Antenna layout and tuning techniques

[www.johansontechnology.com/tuning](http://www.johansontechnology.com/tuning)

## Antenna layout review, tuning, and characterization services

[www.johansontechnology.com/ipcantennaservices](http://www.johansontechnology.com/ipcantennaservices)

The contents of this data sheet are subject to change without notice. Please confirm the specifications and delivery conditions when placing your order. All sales are subject to Johanson Technology, Inc. terms and conditions.



## X-ON Electronics

Largest Supplier of Electrical and Electronic Components

*Click to view similar products for [Signal Conditioning](#) category:*

*Click to view products by [Johanson](#) manufacturer:*

Other Similar products are found below :

[MAPDCC0001](#) [MAPDCC0004](#) [PD0409J5050S2HF](#) [880157](#) [HHS-109-PIN](#) [DC1417J5005AHF](#) [AFS14A30-2185.00-T3](#) [AFS14A35-1591.50-T3](#) [B39321R801H210](#) [1A0220-3](#) [JP510S](#) [LFB212G45SG8C341](#) [LFB322G45SN1A504](#) [LFL182G45TC3B746](#) [SF2159E](#) [30057](#) [FM-104-PIN](#) [CER0813B](#) [MAPDCC0005](#) [3A325](#) [40287](#) [41180](#) [ATB3225-75032NCT](#) [BD0810N50100AHF](#) [BD2425J50200AHF](#) [C5060J5003AHF](#) [JHS-115-PIN](#) [JP503AS](#) [DC0710J5005AHF](#) [DC2327J5005AHF](#) [DC3338J5005AHF](#) [43020](#) [LFB2H2G60BB1C106](#) [LFL15869MTC1B787](#) [X3C19F1-20S](#) [XC3500P-20S](#) [10013-20](#) [SF2194E](#) [CDBLB455KCAX39-B0](#) [TGL2208-SM, EVAL](#) [RF1353C](#) [PD0922J5050D2HF](#) [1E1305-3](#) [1F1304-3S](#) [1G1304-30](#) [B0922J7575AHF](#) [2020-6622-20](#) [TP-103-PIN](#) [BD1222J50200AHF](#) [BD1722J50100AHF](#)