

# High Frequency Ceramic Solutions

3700MHz (3.4-4GHz) 1:1 RF Balun EIA 0805, 6-Pin

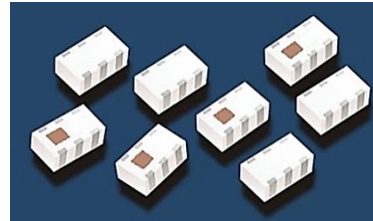
P/N 3700BL15C0050

Detail Specification: 4/7/2016

Page 1 of 3

## General Specifications

Part Number	3700BL15C0050		
Frequency (MHz)	3400 ~ 4000		
Unbalanced Impedance	50 $\Omega$		
Differential Balanced Imp.	50 $\Omega$		
Insertion Loss	1.2 dB max.		
Return Loss	9.5 dB min.		
Phase Difference (degree)	180 $\pm$ 25		
Amplitude Difference	2 dB max.		
Impedance	50 / 50 $\Omega$		
Power Capacity	1W max. (CW)		
Reel Quantity	4,000 pcs		
		Operating Temperature	-40 to +85°C
		Recommended Storage Conditions of unused product on T&R	+5 to +35°C, 18 mos. max. Humidity 45~75% RH



You can download measured s-parameters of this component at: <http://www.johansontechnology.com/rfbaluns>

## Part Number Explanation

P/N Suffix	Packing Style	Bulk	Suffix = S	Eg. 3700BL15C0050S
		T & R	Suffix = E	Eg. 3700BL15C0050E
	Termination style	100% Tin	Suffix = None	Eg. 3700BL15C0050 (E or S)
	Evaluation Board	3700BL15C0050-EB3SMA (3 female SMA connectors)		

## Mechanical Dimensions

	In	mm
L	0.079 $\pm$ 0.004	2.00 $\pm$ 0.10
W	0.049 $\pm$ 0.004	1.25 $\pm$ 0.10
T	0.033 $\pm$ 0.004	0.85 $\pm$ 0.10
a	0.012 $\pm$ 0.004	0.30 $\pm$ 0.10
b	0.008 $\pm$ 0.004	0.20 $\pm$ 0.10
c	0.012 +0.004/0.008	0.30 +0.1/-0.2
g	0.014 $\pm$ 0.004	0.35 $\pm$ 0.10
p	0.026 $\pm$ 0.002	0.65 $\pm$ 0.05

## Terminal Configuration

1	Unbalanced Port	4	Balanced Port
2	GND or DC Feed	5	GND
3	Balanced Port	6	NC

Johanson Technology, Inc. reserves the right to make design changes without notice.  
All sales are subject to Johanson Technology, Inc. terms and conditions.



[www.johansontechnology.com](http://www.johansontechnology.com)

4001 Calle Tecate • Camarillo, CA 93012, USA • TEL +1.805.389.1166

Ver 1.0

2014 Johanson Technology, Inc. All Rights Reserved

# High Frequency Ceramic Solutions

3700MHz (3.4-4GHz) 1:1 RF Balun EIA 0805, 6-Pin

P/N 3700BL15C0050

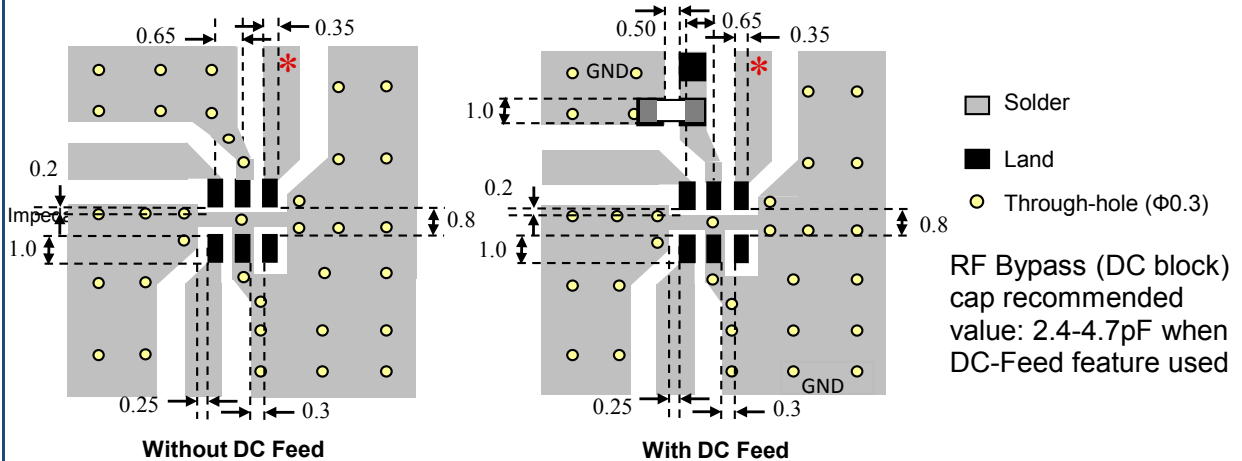
Detail Specification: 4/7/2016

Page 2 of 3

## Mounting Considerations

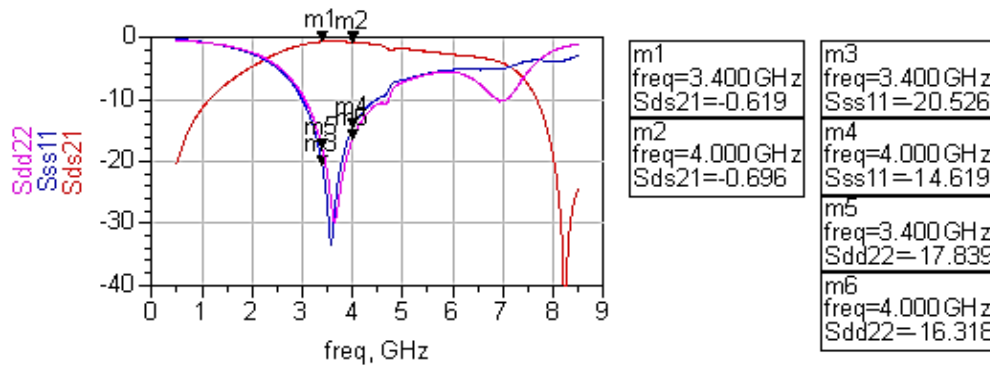
Mount these devices with colored mark facing up.

\* Line width should be designed to provide 50ohm impedance matching characteristics.



Need our help laying this out for you? Need the layout file? Send us a message at: [www.johansontechnology.com/component/techquestion](http://www.johansontechnology.com/component/techquestion)

## Typical Electrical Characteristics (T=25°C)



(Sds21) Insertion Loss / (Sss11) Return Loss SE / (Sdd22) Return Loss Differential

Johanson Technology, Inc. reserves the right to make design changes without notice.

All sales are subject to Johanson Technology, Inc. terms and conditions.



[www.johansontechnology.com](http://www.johansontechnology.com)

4001 Calle Tecate • Camarillo, CA 93012, USA • TEL +1.805.389.1166

Ver 1.0

2014 Johanson Technology, Inc. All Rights Reserved

# High Frequency Ceramic Solutions

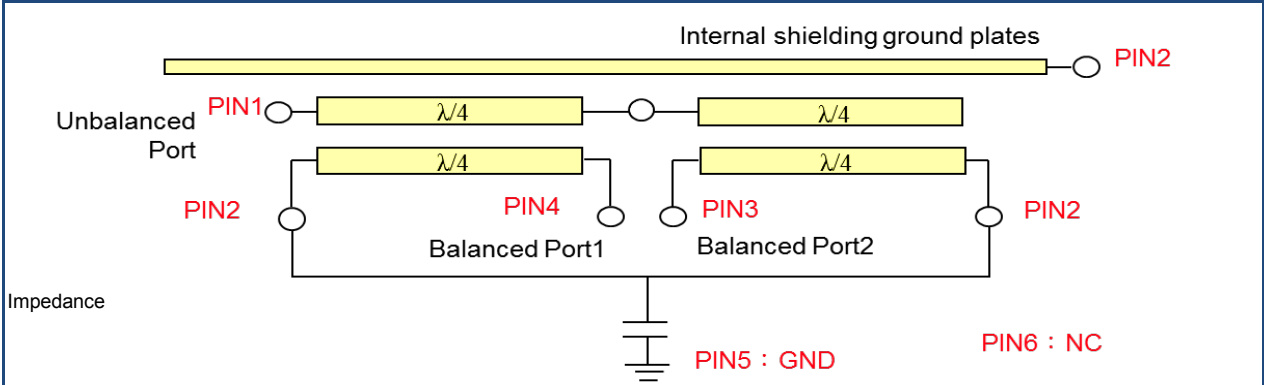
3700MHz (3.4-4GHz) 1:1 RF Balun EIA 0805, 6-Pin

P/N 3700BL15C0050

Detail Specification: 4/7/2016

Page 3 of 3

## Internal Representative Schematic/Topology



## More Filter-Balun info at:

<http://www.johansontechnology.com/rfbaluns>

## Packaging information

[www.johansontechnology.com/ipcpackaging.html](http://www.johansontechnology.com/ipcpackaging.html)

## Soldering Information

[www.johansontechnology.com/ipcsoldering-profile](http://www.johansontechnology.com/ipcsoldering-profile)

## MSL Info

[www.johansontechnology.com/technical-notes/msl-rating.html](http://www.johansontechnology.com/technical-notes/msl-rating.html)

## Recommended Storage Condition and Max Shelf Life

[www.johansontechnology.com/ipcstorage-shelflife](http://www.johansontechnology.com/ipcstorage-shelflife)

## RoHS Compliance

[www.johansontechnology.com/technical-notes/rohs-compliance.html](http://www.johansontechnology.com/technical-notes/rohs-compliance.html)

## Layout review services

<http://www.johansontechnology.com/component/techquestion>

## Antenna layout review, tuning, and characterization services

[www.johansontechnology.com/ipcantennaservices](http://www.johansontechnology.com/ipcantennaservices)

Johanson Technology, Inc. reserves the right to make design changes without notice.

All sales are subject to Johanson Technology, Inc. terms and conditions.



[www.johansontechnology.com](http://www.johansontechnology.com)

4001 Calle Tecate • Camarillo, CA 93012, USA • TEL +1.805.389.1166

Ver 1.0

2014 Johanson Technology, Inc. All Rights Reserved

## X-ON Electronics

Largest Supplier of Electrical and Electronic Components

*Click to view similar products for [Signal Conditioning](#) category:*

*Click to view products by [Johanson](#) manufacturer:*

Other Similar products are found below :

[MAPDCC0001](#) [MAPDCC0004](#) [PD0409J5050S2HF](#) [880157](#) [HHS-109-PIN](#) [DC1417J5005AHF](#) [AFS14A30-2185.00-T3](#) [AFS14A35-1591.50-T3](#) [B39321R801H210](#) [1A0220-3](#) [JP510S](#) [LFB212G45SG8C341](#) [LFB322G45SN1A504](#) [LFL182G45TC3B746](#) [SF2159E](#) [30057](#) [FM-104-PIN](#) [CER0813B](#) [MAPDCC0005](#) [3A325](#) [40287](#) [41180](#) [ATB3225-75032NCT](#) [BD0810N50100AHF](#) [BD2425J50200AHF](#) [C5060J5003AHF](#) [JHS-115-PIN](#) [JP503AS](#) [DC0710J5005AHF](#) [DC2327J5005AHF](#) [DC3338J5005AHF](#) [43020](#) [LFB2H2G60BB1C106](#) [LFL15869MTC1B787](#) [X3C19F1-20S](#) [XC3500P-20S](#) [10013-20](#) [SF2194E](#) [CDBLB455KCAX39-B0](#) [TGL2208-SM, EVAL](#) [RF1353C](#) [PD0922J5050D2HF](#) [1E1305-3](#) [1F1304-3S](#) [1G1304-30](#) [B0922J7575AHF](#) [2020-6622-20](#) [TP-103-PIN](#) [BD1222J50200AHF](#) [BD1722J50100AHF](#)