

# High Frequency Ceramic Solutions

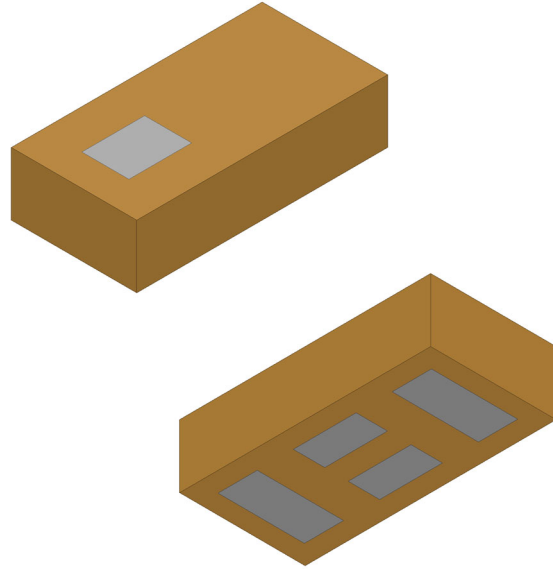
4.7GHz Band Pass Filter, EIA 0603, SMD, Low Loss and High Attenuation

P/N 4700BP14A0600

Detail Specification: 10/21/2019

Page 1 of 4

General Specifications	
Part Number	4700BP14A0600
Operating Frequency (MHz)	4400 - 5000
Insertion loss (dB)	1.9 typ. (2.5 max.)
Return Loss (dB)	10 min.
Power Capacity (W)	3 max. (CW)
Attenuation (dB)	
DC - 2170 MHz	42 typ. (38 min.)
2300 - 2700 MHz	42 typ. (30 min.)
5500 - 5850 MHz	23 typ. (20 min.)



Operating Temperature	-40°C to +85°C
Reel Quantity (pcs/reel)	4,000
Recommended Storage Conditions for unused T&R product	+5 to +35°C Humidity 45 - 75%RH 18 months max.

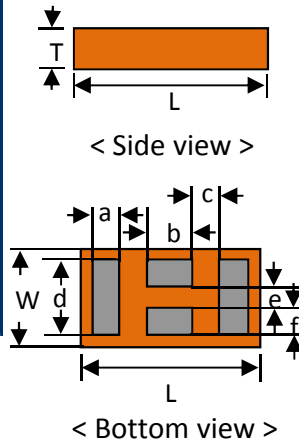
You can download measured s-parameters of this component at: <https://www.johansontechnology.com/band-pass-filters>

## Part Number Explanation

P/N Suffix	Packaging Style	Bulk	Suffix = S	E.g. 4700BP14A0600S
		T & R	Suffix = T	E.g. 4700BP14A0600T
	Evaluation Board	50Ω SMA	Suffix = EB1SMA	E.g. 4700BP14A0600-EB1SMA

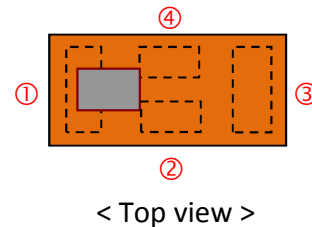
## Mechanical Dimensions

	In	mm
L	0.063 ± 0.006	1.60 ± 0.15
W	0.031 ± 0.006	0.80 ± 0.15
T	0.016 max.	0.40 max.
a	0.010 ± 0.002	0.25 ± 0.05
b	0.016 ± 0.004	0.40 ± 0.10
c	0.009 ± 0.004	0.23 ± 0.10
d	0.022 ± 0.004	0.55 ± 0.10
e	0.008 ± 0.002	0.21 ± 0.05
f	0.008 ± 0.002	0.20 ± 0.05



## Terminal Configuration

No.	Function
1	INPUT / OUTPUT
2	GND
3	INPUT / OUTPUT
4	GND



Johanson Technology, Inc. reserves the right to make design changes without notice.

All sales are subject to Johanson Technology, Inc. terms and conditions.



Ver. 1.0

<https://www.johansontechnology.com>

4001 Calle Tecate • Camarillo, CA 93012, USA • TEL +1.805.389.1166

2019 Johanson Technology, Inc. All Rights Reserved

# High Frequency Ceramic Solutions

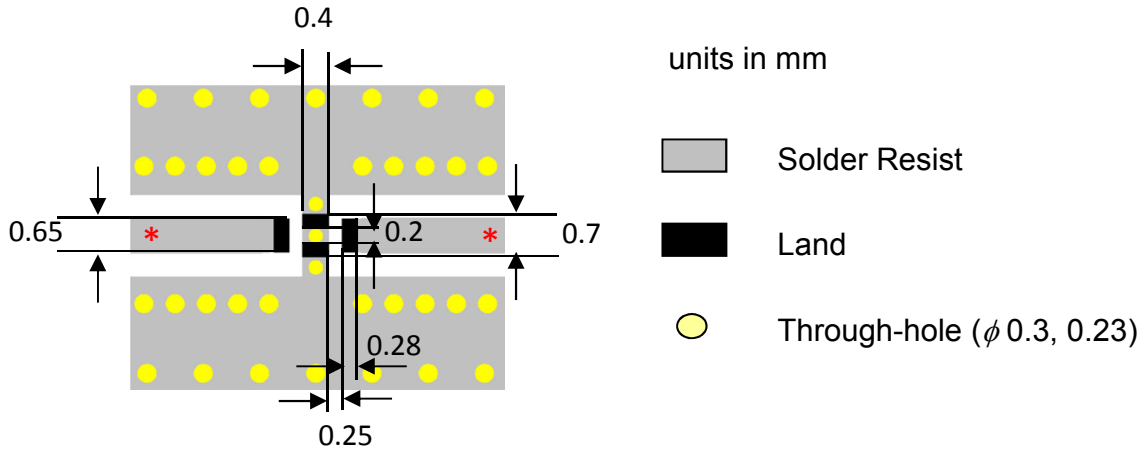
4.7GHz Band Pass Filter, EIA 0603, SMD, Low Loss and High Attenuation

P/N 4700BP14A0600

Detail Specification: 10/21/2019

Page 2 of 4

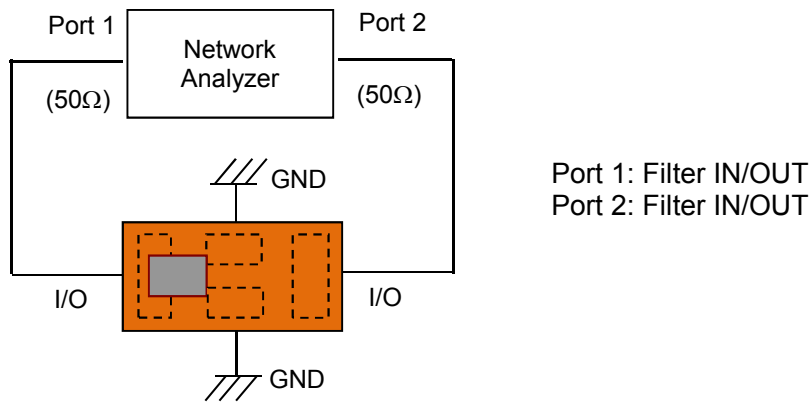
## Mounting Pad Dimensions



\* Transmission line width should be designed to match 50 $\Omega$  characteristic impedance, depending on PCB material and thickness.

Would you like the layout? Send us a message at: <https://www.johansontechnology.com/ask-a-question>

## Measurement Schematic



Johanson Technology, Inc. reserves the right to make design changes without notice.

All sales are subject to Johanson Technology, Inc. terms and conditions.



Ver. 1.0

<https://www.johansontechnology.com>

4001 Calle Tecate • Camarillo, CA 93012, USA • TEL +1.805.389.1166

2019 Johanson Technology, Inc. All Rights Reserved

# High Frequency Ceramic Solutions

4.7GHz Band Pass Filter, EIA 0603, SMD, Low Loss and High Attenuation

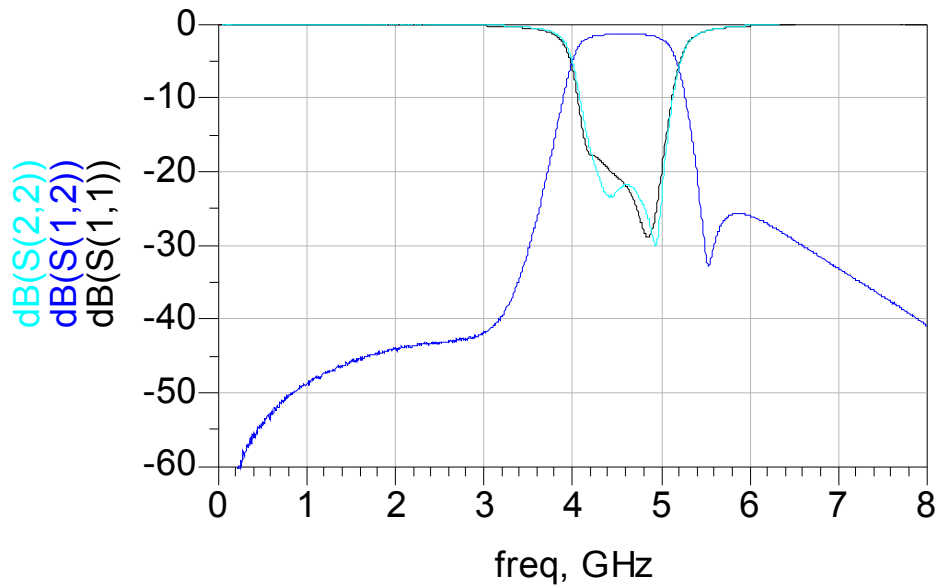
P/N 4700BP14A0600

Detail Specification: 10/21/2019

Page 3 of 4

## Typical Electrical Characteristics (T=25°C)

### Insertion Loss & Return loss



Do you need the S-parameter file of the above? Send us a message at:  
<https://www.johansontechnology.com/ask-a-question>

Johanson Technology, Inc. reserves the right to make design changes without notice.

All sales are subject to Johanson Technology, Inc. terms and conditions.



Ver. 1.0

<https://www.johansontechnology.com>

4001 Calle Tecate • Camarillo, CA 93012, USA • TEL +1.805.389.1166

2019 Johanson Technology, Inc. All Rights Reserved

# High Frequency Ceramic Solutions

4.7GHz Band Pass Filter, EIA 0603, SMD, Low Loss and High Attenuation

P/N 4700BP14A0600

Detail Specification: 10/21/2019

Page 4 of 4

## Application Notes, Layout Files, and more

<https://www.johansontechnology.com/band-pass-filters>

## Packaging information

<https://www.johansontechnology.com/tape-reel-packaging>

## Soldering Information

<https://www.johansontechnology.com/ipcsoldering-profile>

## MSL Info

<https://www.johansontechnology.com/msl-rating>

## Recommended Storage Condition and Max Shelf Life

<https://www.johansontechnology.com/recommended-storage-conditions>

## RoHS Compliance

<https://www.johansontechnology.com/technical-notes/rohs-compliance>

## Antenna layout and tuning techniques

<https://www.johansontechnology.com/tuning.html>

## Antenna layout review, tuning, and characterization services

<https://www.johansontechnology.com/ipc-antenna-services>

Johanson Technology, Inc. reserves the right to make design changes without notice.

All sales are subject to Johanson Technology, Inc. terms and conditions.



Ver. 1.0

<https://www.johansontechnology.com>

4001 Calle Tecate • Camarillo, CA 93012, USA • TEL +1.805.389.1166

2019 Johanson Technology, Inc. All Rights Reserved

## X-ON Electronics

Largest Supplier of Electrical and Electronic Components

*Click to view similar products for [Signal Conditioning](#) category:*

*Click to view products by [Johanson](#) manufacturer:*

Other Similar products are found below :

[MAPDCC0001](#) [MAPDCC0004](#) [PD0409J5050S2HF](#) [880157](#) [HHS-109-PIN](#) [DC1417J5005AHF](#) [AFS14A30-2185.00-T3](#) [AFS14A35-1591.50-T3](#) [B39321R801H210](#) [1A0220-3](#) [JP510S](#) [LFB212G45SG8C341](#) [LFB322G45SN1A504](#) [LFL182G45TC3B746](#) [SF2159E](#) [30057](#) [FM-104-PIN](#) [CER0813B](#) [MAPDCC0005](#) [3A325](#) [40287](#) [41180](#) [ATB3225-75032NCT](#) [BD0810N50100AHF](#) [BD2425J50200AHF](#) [C5060J5003AHF](#) [JHS-115-PIN](#) [JP503AS](#) [DC0710J5005AHF](#) [DC2327J5005AHF](#) [DC3338J5005AHF](#) [43020](#) [LFB2H2G60BB1C106](#) [LFL15869MTC1B787](#) [X3C19F1-20S](#) [XC3500P-20S](#) [10013-20](#) [SF2194E](#) [CDBLB455KCAX39-B0](#) [TGL2208-SM, EVAL](#) [RF1353C](#) [PD0922J5050D2HF](#) [1E1305-3](#) [1F1304-3S](#) [1G1304-30](#) [B0922J7575AHF](#) [2020-6622-20](#) [TP-103-PIN](#) [BD1222J50200AHF](#) [BD1722J50100AHF](#)