

High Frequency Ceramic Solutions

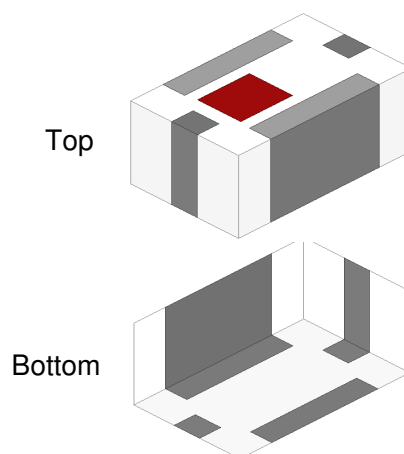
7GHz Band Pass Filter, EIA 0805, High Rejection

P/N 7000BP15A1600

Detail Specification: 10/8/2021

Page 1 of 4

General Specifications	
Part Number	7000BP15A1600
Frequency (MHz)	6200 - 7800
Insertion loss (dB)	1.75 typ. (2.0 max.)
Return Loss (dB)	12 typ. (10 min.)
Group Delay (ns)	0.7 typ. (1.0 max.)
Attenuation (dB)	39 typ. (30 min.) @2400 - 3400MHz 39 typ. (35 min.) @3400 - 3800MHz 35 typ. (30 min.) @4200 - 5400MHz 5 typ. (3 min.) @5850MHz 30 typ. (25 min.) @8500 - 16000MHz
ESD Susceptibility (HBM)	2000V min.
ESD Susceptibility (CDM)	500V min.
Power Capacity (W)	3 max. (CW)
Operating Temperature	-40 to +85°C
Reel Quantity (pcs./reel)	4,000



Recommended Storage Conditions and Period for unused Product on T&R	+5 to +35°C
	Humidity 45 - 75% RH 18 months max.

You can download measured s-parameters of this component at: <https://www.johansontechnology.com/band-pass-filters>

Part Number Explanation			
P/N Suffix	Packaging Style	Bulk (loose pcs.)	Suffix = S E.g. 7000BP15A1600S
		T & R	Suffix = E E.g. 7000BP15A1600E
	Evaluation Board	50Ω SMA	Suffix = EB1SMA E.g. 7000BP15A1600-EB1SMA

Mechanical Dimensions		
	In	mm
L	0.079 ± 0.006	2.00 ± 0.15
W	0.049 ± 0.004	1.25 ± 0.10
T	0.037 ± 0.004	0.95 ± 0.10
a	0.049 ± 0.006	1.25 ± 0.15
b	0.012 ± 0.006	0.30 ± 0.15
c	0.010 ± 0.006	0.25 ± 0.15
d	0.014 ± 0.006	0.35 ± 0.15

Terminal Configuration	
No.	Function
1	GND
2	INPUT / OUTPUT
3	GND
4	INPUT / OUTPUT

Johanson Technology, Inc. reserves the right to make design changes without notice.

All sales are subject to Johanson Technology, Inc. terms and conditions.



Ver. 2.0

<https://www.johansontechnology.com>

4001 Calle Tecate • Camarillo, CA 93012, USA • TEL +1.805.389.1166

2021 Johanson Technology, Inc. All Rights Reserved

High Frequency Ceramic Solutions

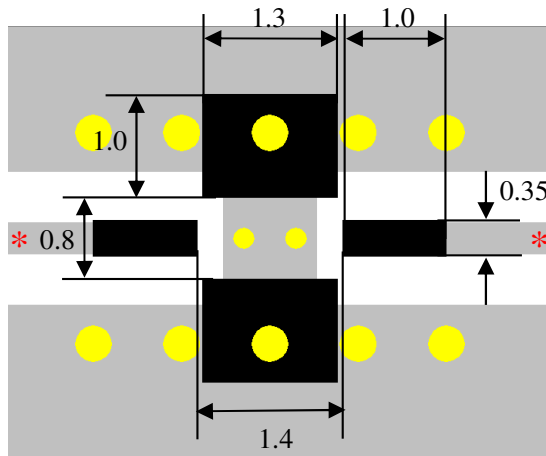
7GHz Band Pass Filter, EIA 0805, High Rejection

P/N 7000BP15A1600




Detail Specification: 10/8/2021

Page 2 of 4

Mounting Considerations



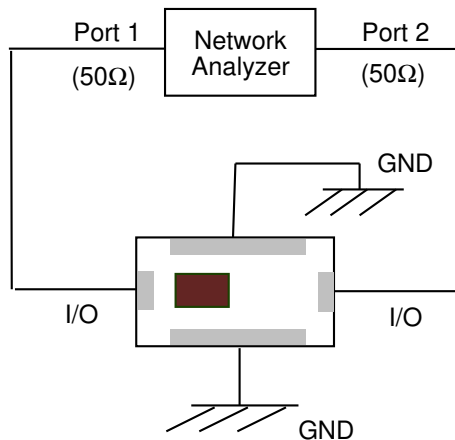
Units in mm

-  Solder Resist
-  Land
-  Through-hole ($\phi 0.2 / \phi$)

*Transmission line width should be designed to match 50 Ω characteristic impedance, depending on PCB material and thickness.

Would you like the layout? Send us a message at: <https://www.johansontechnology.com/ask-a-question>

Measuring Diagram



Port 1: Filter IN/OUT
Port 2: Filter IN/OUT

Johanson Technology, Inc. reserves the right to make design changes without notice.

All sales are subject to Johanson Technology, Inc. terms and conditions.



Ver. 2.0

<https://www.johansontechnology.com>

4001 Calle Tecate • Camarillo, CA 93012, USA • TEL +1.805.389.1166

2021 Johanson Technology, Inc. All Rights Reserved

High Frequency Ceramic Solutions

7GHz Band Pass Filter, EIA 0805, High Rejection

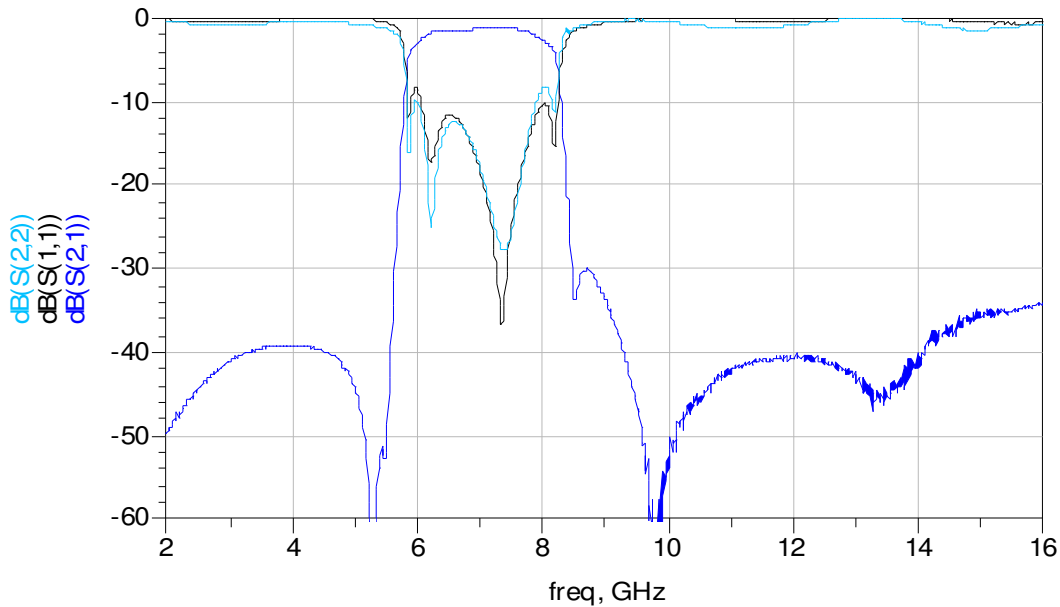
P/N 7000BP15A1600

Detail Specification: 10/8/2021

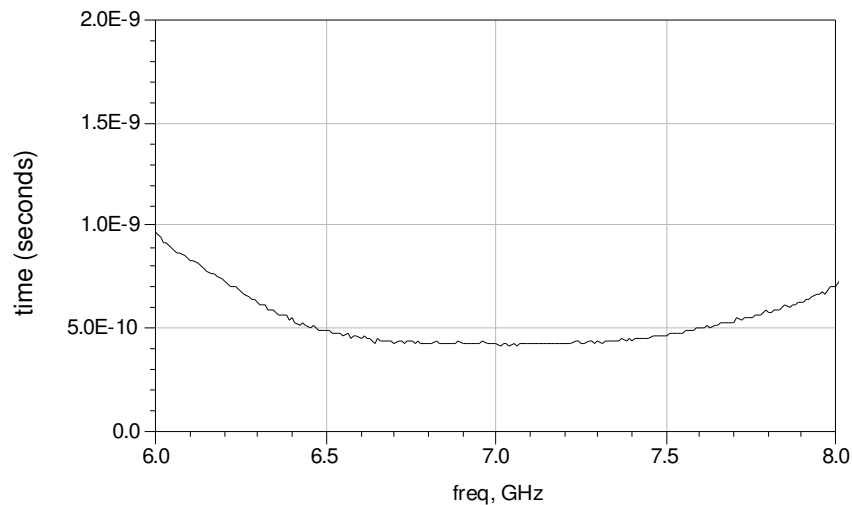
Page 3 of 4

Typical Electrical Characteristics (T=25°C)

Insertion Loss & Return loss



Group Delay



Johanson Technology, Inc. reserves the right to make design changes without notice.

All sales are subject to Johanson Technology, Inc. terms and conditions.



Ver. 2.0

<https://www.johansontechnology.com>

4001 Calle Tecate • Camarillo, CA 93012, USA • TEL +1.805.389.1166

2021 Johanson Technology, Inc. All Rights Reserved

High Frequency Ceramic Solutions

7GHz Band Pass Filter, EIA 0805, High Rejection

P/N 7000BP15A1600

Detail Specification: 10/8/2021

Page 4 of 4

Application Notes, Layout Files, and more

<https://www.johansontechnology.com/band-pass-filters>

Packaging information

<https://www.johansontechnology.com/tape-reel-packaging>

Soldering Information

<https://www.johansontechnology.com/ipcsoldering-profile>

MSL Info

<https://www.johansontechnology.com/msl-rating>

Recommended Storage Condition and Max Shelf Life

<https://www.johansontechnology.com/recommended-storage-conditions>

RoHS Compliance

<https://www.johansontechnology.com/rohs-compliance>

Antenna layout and tuning techniques

<https://www.johansontechnology.com/tuning>

Antenna layout review, tuning, and characterization services

<https://www.johansontechnology.com/ipc-antenna-services>

Johanson Technology, Inc. reserves the right to make design changes without notice.

All sales are subject to Johanson Technology, Inc. terms and conditions.



Ver. 2.0

<https://www.johansontechnology.com>

4001 Calle Tecate • Camarillo, CA 93012, USA • TEL +1.805.389.1166

2021 Johanson Technology, Inc. All Rights Reserved

X-ON Electronics

Largest Supplier of Electrical and Electronic Components

Click to view similar products for [Signal Conditioning](#) category:

Click to view products by [Johanson](#) manufacturer:

Other Similar products are found below :

[MAPDCC0001](#) [MAPDCC0004](#) [PD0409J5050S2HF](#) [880157](#) [HHS-109-PIN](#) [DC1417J5005AHF](#) [AFS14A30-2185.00-T3](#) [AFS14A35-1591.50-T3](#) [B39321R801H210](#) [1A0220-3](#) [JP510S](#) [LFB212G45SG8C341](#) [LFB322G45SN1A504](#) [LFL182G45TC3B746](#) [SF2159E](#) [30057](#) [FM-104-PIN](#) [CER0813B](#) [MAPDCC0005](#) [3A325](#) [40287](#) [41180](#) [ATB3225-75032NCT](#) [BD0810N50100AHF](#) [BD2425J50200AHF](#) [C5060J5003AHF](#) [JHS-115-PIN](#) [JP503AS](#) [DC0710J5005AHF](#) [DC2327J5005AHF](#) [DC3338J5005AHF](#) [43020](#) [LFB2H2G60BB1C106](#) [LFL15869MTC1B787](#) [X3C19F1-20S](#) [XC3500P-20S](#) [10013-20](#) [SF2194E](#) [CDBLB455KCAX39-B0](#) [TGL2208-SM, EVAL](#) [RF1353C](#) [PD0922J5050D2HF](#) [1E1305-3](#) [1F1304-3S](#) [1G1304-30](#) [B0922J7575AHF](#) [2020-6622-20](#) [TP-103-PIN](#) [BD1222J50200AHF](#) [BD1722J50100AHF](#)