

Circuit 1

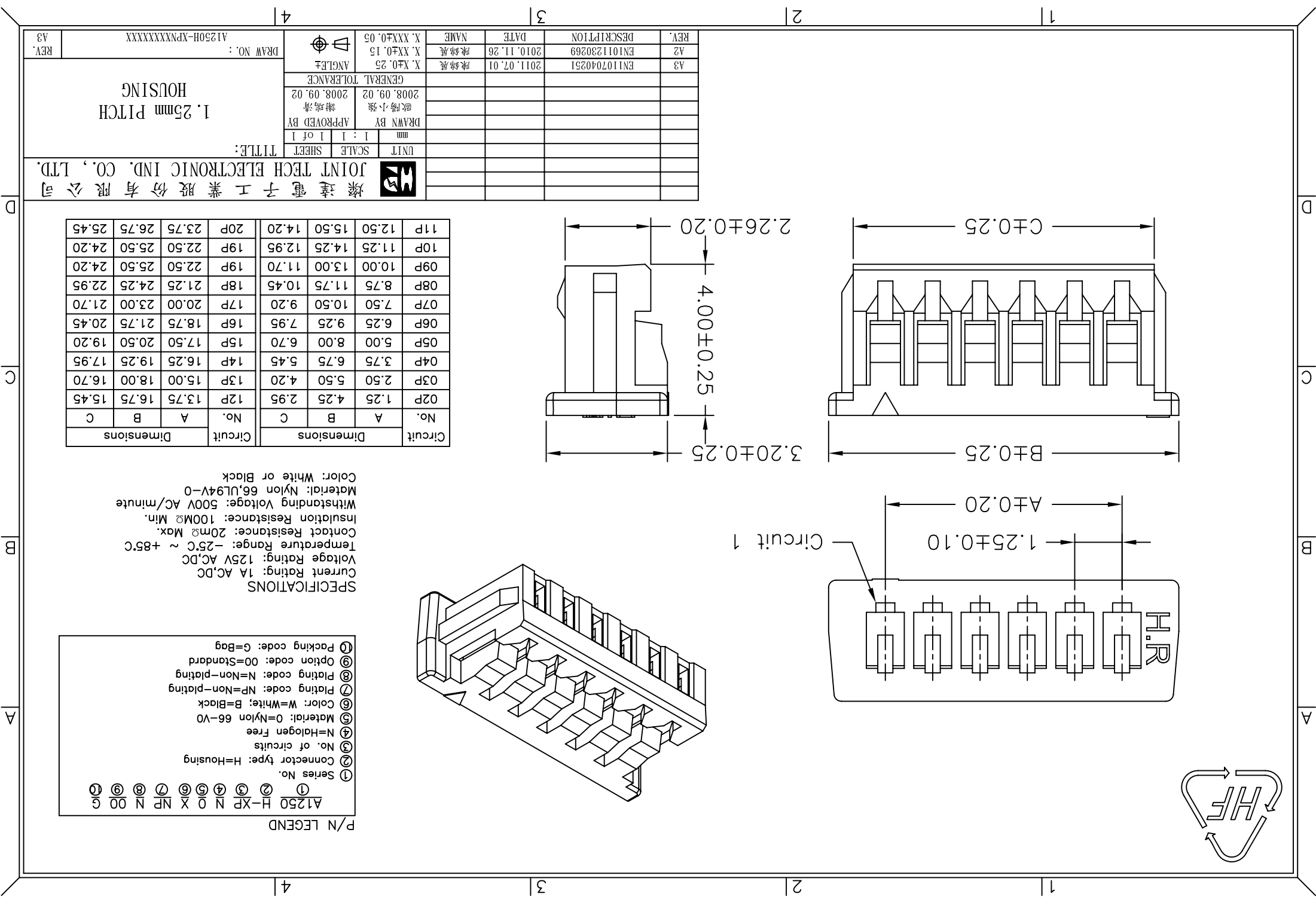
Circuit	Dimensions			Circuit	Dimensions		
	A	B	C		A	B	C
02P	1.25	4.25	2.95	12P	13.75	16.75	15.45
03P	2.50	5.50	4.20	13P	15.00	18.00	16.70
04P	3.75	6.75	5.45	14P	16.25	19.25	17.95
05P	5.00	8.00	6.70	15P	17.50	20.50	19.20
06P	6.25	9.25	7.95	16P	18.75	21.75	20.45
07P	7.50	10.50	9.20	17P	20.00	23.00	21.70
08P	8.75	11.75	10.45	18P	21.25	24.25	22.95
09P	10.00	13.00	11.70	19P	22.50	25.50	24.20
10P	11.25	14.25	12.95	19P	22.50	25.50	24.20
11P	12.50	15.50	14.20	20P	23.75	26.75	25.45

**SPECIFICATIONS**  
 Current Rating: 1A AC,DC  
 Voltage Rating: 125V AC,DC  
 Temperature Range: -25°C ~ +85°C  
 Contact Resistance: 20mΩ Max.  
 Insulation Resistance: 100MΩ Min.  
 Withstanding Voltage: 500V AC/minute  
 Material: Nylon 66,UL94V-0  
 Color: White or Black

**P/N LEGEND**

①	Series No.	A1250	H-XP	N	0	X	NP	N	00	G
②	Connector type:	H=Housing								
③	No. of circuits									
④	N=Halogen Free									
⑤	Material:	0=Nylon 66-V0								
⑥	Color:	W=White; B=Black								
⑦	Plating code:	NP=Non-plating								
⑧	Plating code:	N=Non-plating								
⑨	Option code:	00=Standard								
⑩	Packing code:	G=Bag								

REV.	A3	EN107040251	2011.07.01	陈锦展	X.XX±0.25	ANGLE
A2	EN101230269	2010.11.26	陈锦展	X.XX±0.15	GENERAL TOLERANCE	
DATE	2010.11.26				2008.09.02	2008.09.02
DESCRIPTION					APPROVED BY	謝瑞清
					DRAWN BY	歐陽小強
					UNIT	mm
					SCALE	1 : 1
					SHEET	1 of 1
燦達電子工業股份有限公司 JOINT TECH ELECTRONIC IND. CO., LTD. TITLE: 1.25mm PITCH HOUSING DRAW NO.: A1250H-XPXXXXXXXXXX REV. A3						



## X-ON Electronics

Largest Supplier of Electrical and Electronic Components

*Click to view similar products for [Headers & Wire Housings](#) category:*

*Click to view products by [Joint manufacturer](#):*

Other Similar products are found below :

[95000-104TRLF](#) [10135584-644402LF](#) [DF62W-EP2022PCA](#) [95000-106TRLF](#) [DF62W-2022SCA](#) [DF62W-EP2022PC](#) [2203348](#) [DF62W-2022SC](#) [1084018](#) [1029039](#) [1084017](#) [802-10-012-10-002000](#) [1112640](#) [1112639](#) [891-007-9SS-BST1T](#) [000-34000](#) [0008550134](#) [0009482033](#) [0009507031](#) [57102-F02-18ULF](#) [57102-S06-03LF](#) [57202-S52-04LF](#) [PCN6-15S-2.5E](#) [0039019024](#) [58102-G61-06LF](#) [582553-1](#) [0009485154](#) [0009508121](#) [0022285053](#) [0050291907](#) [018731A](#) [LY20-4P-DT1-P1E-BR](#) [02.125.8002.8](#) [60101931](#) [60598-1 \(Cut Strip\)](#) [M1625-3R/100](#) [61062-3](#) [61082-181009](#) [CSU011177004](#) [636-1427](#) [638009-1](#) [641938-9](#) [641991-4](#) [644168-1](#) [644827-2](#) [647662-1](#) [65039-019ELF](#) [65692-001LF](#) [65781-018](#) [65781-047](#)