

P/N LEGEND

A1500					WV-S-XP		XXX	
①	②	③	④	⑤				
①	Series No.							
②	Connector type: WV=Vertical							
③	Mounting type: S=SMT							
④	No. of circuits							
⑤	Option code:							
	D01=With Cap							
	Contacts/Gold-flash and Solder tabs/Gold-flash							
	D10=Without Cap							
	Contacts/Gold-flash and Solder tabs/Gold-flash							

SPECIFICATIONS

Current Rating: 1A AC,DC
 Voltage Rating: 100V AC,DC
 Temperature Range: -25°C ~ +85°C
 Contact Resistance: 20mΩ Max.
 Insulation Resistance: 500MΩ Min.
 Withstanding Voltage: 500V AC/minute
 Pin Material: Brass
 Solder Tabs: Brass
 Wafer: Nylon 6T,UL94V-0
 Cap: Nylon 6T,UL94V-0,Natural(Beige)
 Color: Natural(Beige)

Circuit No.	Dimensions		
	A	B	C
02P	1.50	6.00	3.60
03P	3.00	7.50	5.10
04P	4.50	9.00	6.60
05P	6.00	10.50	8.10
06P	7.50	12.00	9.60
07P	9.00	13.50	11.10
08P	10.50	15.00	12.60
09P	12.00	16.50	14.10
10P	13.50	18.00	15.60
11P	15.00	19.50	17.10
12P	16.50	21.00	18.60
13P	18.00	22.50	20.10



燦達電子工業股份有限公司
 JOINT TECH ELECTRONIC IND. CO., LTD.

UNIT: mm SCALE: 1:1 SHEET: 1 of 2

DRAWN BY: 李勤 2006.07.07 APPROVED BY: 董正一 2006.07.07

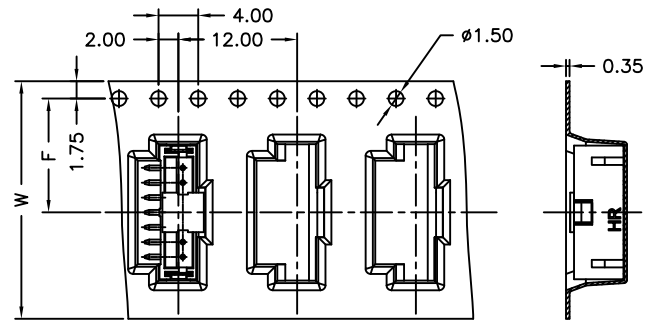
GENERAL TOLERANCE

X.X±0.25 ANGLE±
 X.XX±0.15
 X.XXX±0.05

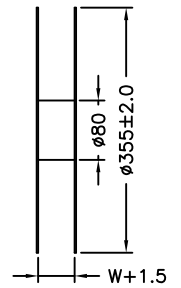
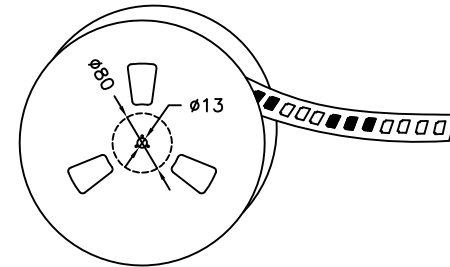
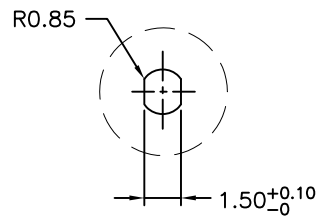
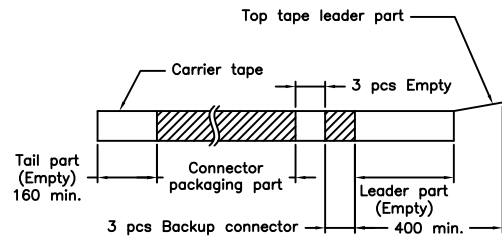
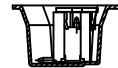
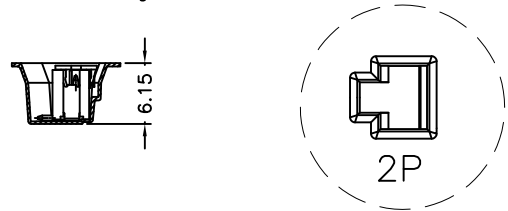
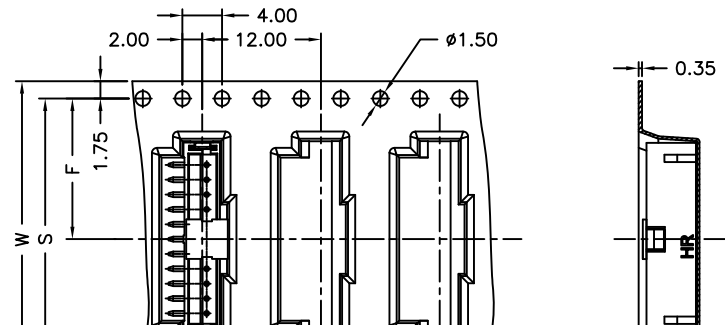
TITLE:
 1.50mm PITCH
 180° WAFER-SMT TYPE
 DRAW NO.: A1500WV-S-XP REV. A3

REV.	DESCRIPTION	DATE	NAME
A3	ENI106240218	2011.06.24	陳敏
A2	ENI102160030	2011.04.19	陳錦展

02~07 Contacts



08~13 Contacts



Number of Contacts	W±0.3	F±0.1	S±0.1	Q'ty/Reel
02P	16	7.50		1,000
03P	24	11.50		1,000
04P	24	11.50		1,000
05P	24	11.50		1,000
06P	24	11.50		1,000
07P	24	11.50		1,000
08P	32	14.20	28.40	1,000
09P	32	14.20	28.40	1,000
10P	32	14.20	28.40	1,000
11P	32	14.20	28.40	1,000
12P	44	20.20	40.40	1,000
13P	44	20.20	40.40	1,000

NOTE:
Material: Transparent
Anti-static Polystyrene.

				UNIT	SCALE	SHEET	TITLE:			
				mm	1 : 1	2 of 2				
DRAWN BY		APPROVED BY		1.50mm PITCH 180° WAFER-SMT TYPE, TAPING SPEC.						
李勤		董正一								
2006.07.07		2006.07.07								
GENERAL TOLERANCE				DRAW NO. : A1500WV-S-XP						
A3	EN1106240218	2011.06.24	陳敏					X. X±0.25	ANGLE±	
A2	EN1102160030	2011.04.19	陳錦展					X. XX±0.15		
REV.	DESCRIPTION	DATE	NAME					X. XXX±0.05		

X-ON Electronics

Largest Supplier of Electrical and Electronic Components

Click to view similar products for [I/O Connectors](#) category:

Click to view products by [Joint manufacturer](#):

Other Similar products are found below :

[58098-0628](#) [61-168618-12P](#) [D38999/20FJ24PA L/C](#) [D38999/20FJ29SB L/C](#) [D38999/24FG11SN L/C](#) [72.250.1628.2](#) [72.250.2428.2](#) [74720-0505](#) [747680210](#) [76.350.0729.0](#) [76871-1403](#) [FCN-244F080-G/1](#) [FCN-260A9920](#) [FCN-268D024-G/11](#) [FCN-268D024-G/2F#10X-R10](#) [MP-5T180MUNNA-005](#) [MP-5XRJ45UNNB-003](#) [PCS-E50FA](#) [PCS-XES68MS+](#) [G38A71314B](#) [91-569719-35R](#) [9776-18-6](#) [1571250010](#) [157-22500-3](#) [MS3471L14-19P L/C](#) [MS3476W12-10S L/C](#) [171224-6031](#) [1888020-8](#) [91-569786-35H](#) [91-569786-35M](#) [91-644626-35P](#) [172501-4002](#) [172501-6002](#) [FCN-260C008-A/L0](#) [FCN-260C024-AL0](#) [FCN-261Z008](#) [FCN-268D008-G/1K](#) [2000314-1](#) [200331-1](#) [2007498-2](#) [PCR-E28LMDAG1+](#) [PCR-E36FC+](#) [PCS-E28FS+](#) [PCS-XE26SLFD+](#) [PCS-XE26SLFDT+](#) [G38A71214B](#) [HDRA-E68W1LFDTC-SL+](#) [HDR-E14MSG1+](#) [R88A-CNK81S](#) [CRT1-ATT02](#)