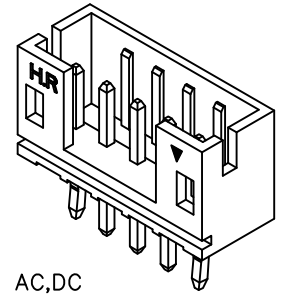
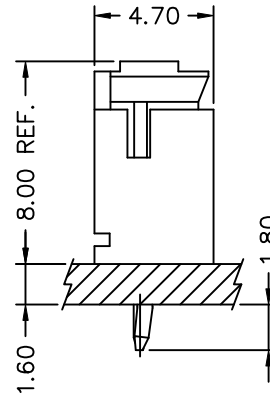
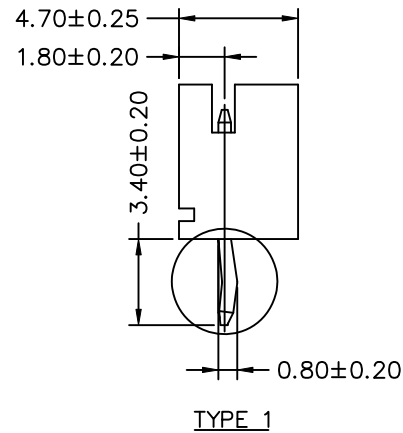
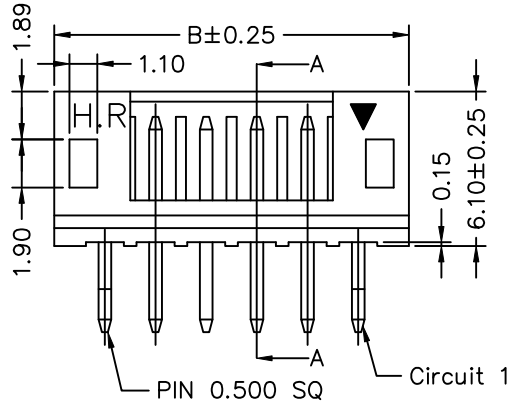


P/N LEGEND

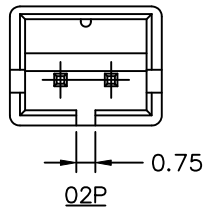
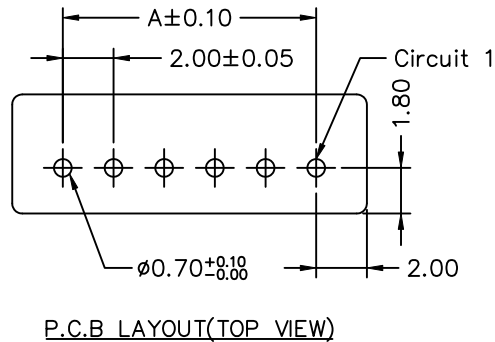
- |       |   |   |   |       |   |     |   |
|-------|---|---|---|-------|---|-----|---|
| A2001 |   |   |   | WV-XP |   | XXX |   |
| ①     | ② | ③ | ④ | ①     | ② | ③   | ④ |
- ① Series No.  
 ② Connector type: WV=Vertical  
 ③ No. of circuits  
 ④ Option code:  
 1=Nylon 66-V0, Color: White, Tin-plated  
 1BK=Nylon 66-V0, Color: Black, Tin-plated  
 1BL=Nylon 66-V0, Color: Blue(660C), Tin-plated  
 1GR=Nylon 66-V0, Color: Green(347C), Tin-plated  
 146=Nylon 46-V0, Color: Beige, Tin-plated  
 011=Nylon 46-V0, Color: Black, Tin-plated  
 16T=Nylon 6T-V0, Color: Beige, Tin-plated  
 S1=Nylon 66+15%GF-V0, Color: White, Tin-plated  
 1NF=Nylon 66-V2,NO flame,Color: Natural,Tin-plated



SPECIFICATIONS  
 Current Rating: 2A AC,DC  
 Voltage Rating: 100V AC,DC  
 Temperature Range: -25°C ~ +85°C  
 Contact Resistance: 10mΩ Max.  
 Insulation Resistance: 1000MΩ Min.  
 Withstanding Voltage: 800V AC/minute  
 Pin Material: Brass



Circuit No.	Dimensions		
	A	B	C
02P	2.00	6.00	4.80
03P	4.00	8.00	6.80
04P	6.00	10.00	8.80
05P	8.00	12.00	10.80
06P	10.00	14.00	12.80
07P	12.00	16.00	14.80
08P	14.00	18.00	16.80
09P	16.00	20.00	18.80
10P	18.00	22.00	20.80
11P	20.00	24.00	22.80
12P	22.00	26.00	24.80
13P	24.00	28.00	26.80
14P	26.00	30.00	28.80
15P	28.00	32.00	30.80
16P	30.00	34.00	32.80
17P	32.00	36.00	34.80
18P	34.00	38.00	36.80



				燦達電子工業股份有限公司 JOINT TECH ELECTRONIC IND. CO., LTD.			
UNIT		SCALE	SHEET		TITLE:		
mm		1 : 1	1 of 1		2.00mm PITCH		
DRAWN BY		APPROVED BY		180° WAFER, TYPE 1		DRAW NO. : A2001WV-XP1	
李勤		呂長祈					
2006.07.21		2006.07.21					
GENERAL TOLERANCE				ANGLE±			
B1	取消紅色短料號	2017.04.14	任運宏	X.X±0.25			
B0	EN1607250001	2016.06.23	楚新璋	X.XX±0.15			
A5	EN1301220022	2013.01.22	郭木恩	X.XXX±0.05			
A4	EN1211080364	2012.11.13	陳錦展				
REV.	DESCRIPTION	DATE	NAME				

A  
B  
C  
D

A  
B  
C  
D

1 | 2 | 3 | 4 |

1 | 2 | 3 | 4 |

## X-ON Electronics

Largest Supplier of Electrical and Electronic Components

*Click to view similar products for [Headers & Wire Housings](#) category:*

*Click to view products by [Joint manufacturer](#):*

Other Similar products are found below :

[95000-104TRLF](#) [10135584-644402LF](#) [DF62W-EP2022PCA](#) [95000-106TRLF](#) [DF62W-2022SCA](#) [DF62W-EP2022PC](#) [2203348](#) [DF62W-2022SC](#) [1084018](#) [1029039](#) [1084017](#) [802-10-012-10-002000](#) [1112640](#) [1112639](#) [891-007-9SS-BST1T](#) [000-34000](#) [0008550134](#) [0009482033](#) [0009507031](#) [57102-F02-18ULF](#) [57102-S06-03LF](#) [57202-S52-04LF](#) [PCN6-15S-2.5E](#) [0039019024](#) [58102-G61-06LF](#) [582553-1](#) [0009485154](#) [0009508121](#) [0022285053](#) [0050291907](#) [018731A](#) [LY20-4P-DT1-P1E-BR](#) [02.125.8002.8](#) [60101931](#) [60598-1 \(Cut Strip\)](#) [M1625-3R/100](#) [61062-3](#) [61082-181009](#) [CSU011177004](#) [636-1427](#) [638009-1](#) [641938-9](#) [641991-4](#) [644168-1](#) [644827-2](#) [647662-1](#) [65039-019ELF](#) [65692-001LF](#) [65781-018](#) [65781-047](#)