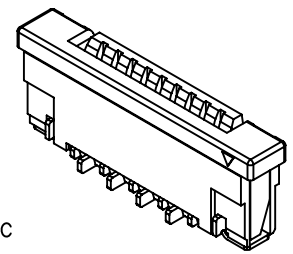


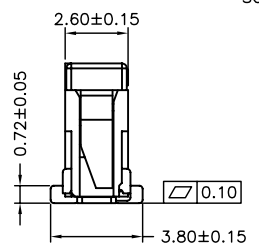
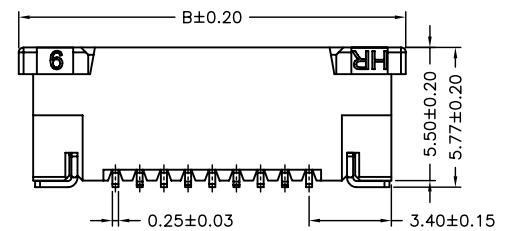
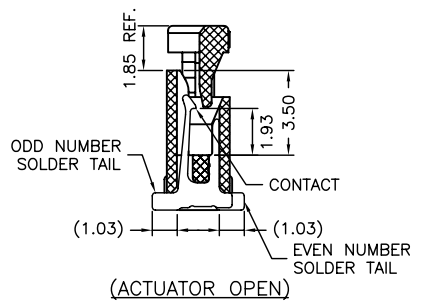
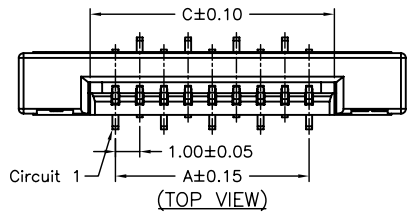
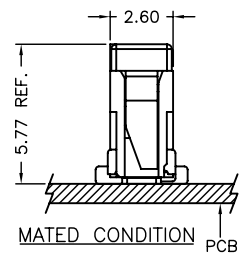
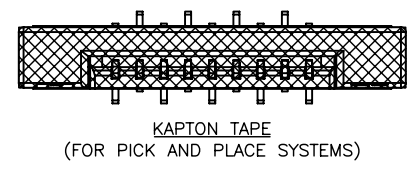
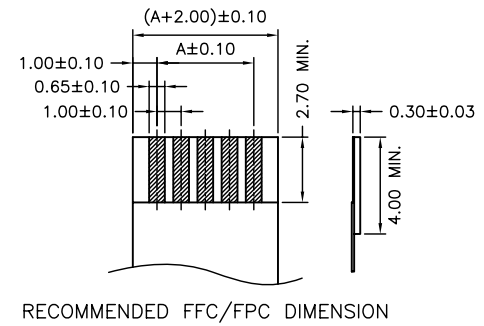
Ordering code

F1003 WV-S-XP XXX  
 ① ② ③ ④ ⑤

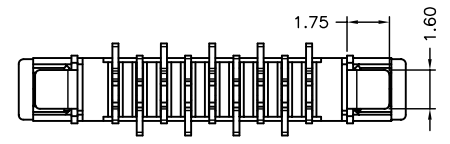
① Series No.  
 ② Connector type: WV=Vertical  
 ③ Mounting type: S=SMT without boss  
 ④ No. of circuits  
 ⑤ Option code:  
 Blank=Contacts/Matte Tin-plated  
 Solder tabs/Matte Tin-plated  
 D01=Contacts/Gold-flash  
 Solder tabs/Gold-flash



**SPECIFICATIONS**  
 Current Rating: 0.5A AC,DC  
 Voltage Rating: 50V AC,DC  
 Temperature Range: -25°C ~ +85°C  
 Contact Resistance: 30mΩ Max.  
 Insulation Resistance: 500MΩ Min.  
 Withstanding Voltage: 500V AC/minute  
 Contacts: Phosphor Bronze/Matte Tin-plated or Gold-flash  
 Solder Tabs: Brass/Matte Tin-plated or Gold-flash  
 Housing: Nylon 6T,UL94V-0,Natural(Beige)  
 Actuator: Nylon 6T,UL94V-0,Natural(Black)

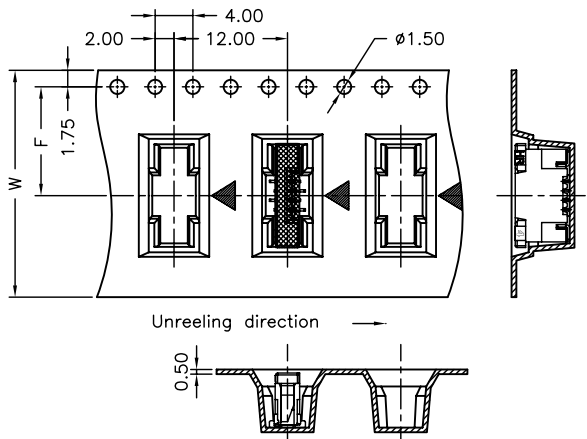


Circuit No.	Dimensions			Circuit No.	Dimensions		
	A	B	C		A	B	C
04P	3.00	11.00	5.10	20P	19.00	27.00	21.10
05P	4.00	12.00	6.10	21P	20.00	28.00	22.10
06P	5.00	13.00	7.10	22P	21.00	29.00	23.10
07P	6.00	14.00	8.10	23P	22.00	30.00	24.10
08P	7.00	15.00	9.10	24P	23.00	31.00	25.10
09P	8.00	16.00	10.10	25P	24.00	32.00	26.10
10P	9.00	17.00	11.10	26P	25.00	33.00	27.10
11P	10.00	18.00	12.10	27P	26.00	34.00	28.10
12P	11.00	19.00	13.10	28P	27.00	35.00	29.10
13P	12.00	20.00	14.10	29P	28.00	36.00	30.10
14P	13.00	21.00	15.10	30P	29.00	37.00	31.10
15P	14.00	22.00	16.10	31P	30.00	38.00	32.10
16P	15.00	23.00	17.10	32P	31.00	39.00	33.10
17P	16.00	24.00	18.10	33P	32.00	40.00	34.10
18P	17.00	25.00	19.10	34P	33.00	41.00	35.10
19P	18.00	26.00	20.10				

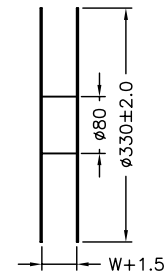
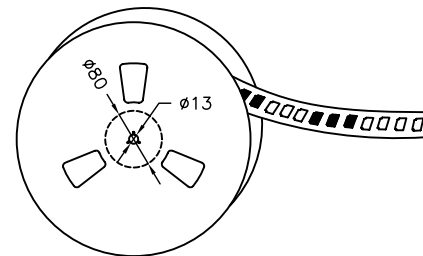
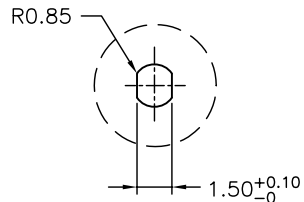
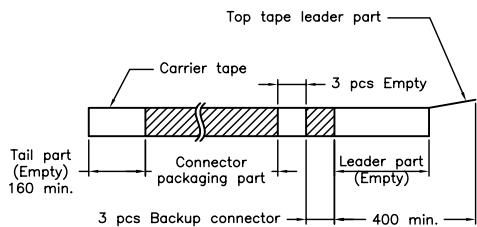
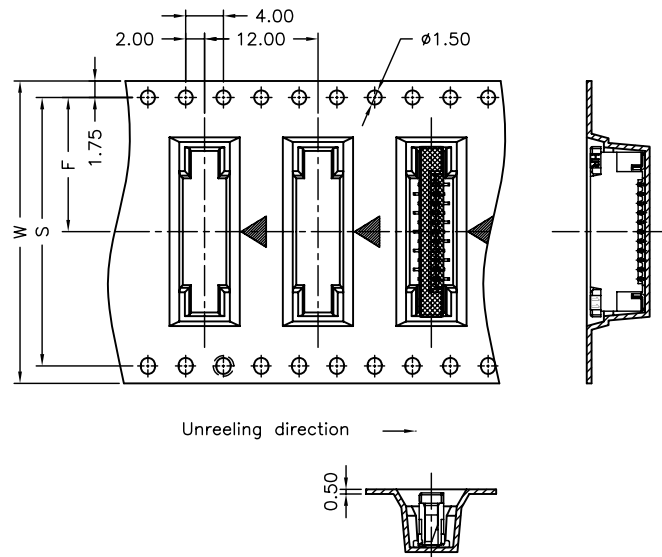


燦達電子工業股份有限公司 JOINT TECH ELECTRONIC IND. CO., LTD.			
UNIT	SCALE	SHEET	TITLE:
mm		1 of 2	
DRAWN BY	APPROVED BY	<b>1.00mm PITCH            FFC/FPC CONNECTOR,            180° SMT TYPE, ZIF</b>	
A3 EN0911030531 2009.11.03	2006.04.26		
A2 REVISE 2009.06.09	GENERAL TOLERANCE		
A1 REVISE 2009.04.30	X.X±0.25 ANGLE±		
A0 NEW RELEASE 2006.04.26	X.XX±0.15		DRAW NO. :
REV. DESCRIPTION DATE	X.XXX±0.05		F1003WV-S-XP

04~09 Contacts



10~34 Contacts



Number of Contacts	W±0.3	F±0.1	S±0.1	Q'ty/Reel	Number of Contacts	W±0.3	F±0.1	S±0.1	Q'ty/Reel	
04P	24	11.50	/	800	20P	44	20.20	40.40	800	
05P	24	11.50		800	21P	44	20.20	40.40	800	
06P	24	11.50		800	22P	44	20.20	40.40	800	
07P	24	11.50		800	23P	44	20.20	40.40	800	
08P	24	11.50		800	24P	44	20.20	40.40	800	
09P	24	11.50		800	25P	44	20.20	40.40	800	
10P	32	14.20		28.40	800	26P	56	26.20	52.40	800
11P	32	14.20		28.40	800	27P	56	26.20	52.40	800
12P	32	14.20		28.40	800	28P	56	26.20	52.40	800
13P	32	14.20	28.40	800	29P	56	26.20	52.40	800	
14P	44	20.20	40.40	800	30P	56	26.20	52.40	800	
15P	44	20.20	40.40	800	31P	56	26.20	52.40	800	
16P	44	20.20	40.40	800	32P	56	26.20	52.40	800	
17P	44	20.20	40.40	800	33P	56	26.20	52.40	800	
18P	44	20.20	40.40	800	34P	56	26.20	52.40	800	
19P	44	20.20	40.40	800						

NOTE:  
Material: Transparent  
Anti-static Polystyrene.

				UNIT	SCALE	SHEET	TITLE:
				mm		2 of 2	
DRAWN BY		APPROVED BY		1.00mm PITCH FFC/FPC CONNECTOR, 180° SMT TYPE, ZIF, TAPING SPEC.			
歐陽小強		董正一					
2006.12.07		2006.12.07					
GENERAL TOLERANCE							
A1	EN0911030531	2009.11.03	X.X±0.25	ANGLE±		DRAW NO. : F1003WV-S-XP	
A0	NEW RELEASE	2006.12.07	X.XX±0.15				
REV.	DESCRIPTION	DATE	X.XXX±0.05				
						REV.	A1

## X-ON Electronics

Largest Supplier of Electrical and Electronic Components

*Click to view similar products for [FFC & FPC Connectors](#) category:*

*Click to view products by [Joint manufacturer](#):*

Other Similar products are found below :

[HFW11R-1STE1H1LF](#) [FH29B-100S-0.2SHW\(99\)](#) [FA5S008HP1](#) [FH29B-120S-0.2SHW\(99\)](#) [FH29B-80S-0.2SHW\(99\)](#) [FHS-16](#) [FPH-2022G](#)  
[52610-1075](#) [52610-1275](#) [52610-1934](#) [XF3M\(1\)-1415-1B-R100](#) [501864-3091-TR225](#) [0525594033](#) [086210010340800](#) [086222026001800](#)  
[52271-2869-CUT-TAPE](#) [62674-201121DLF](#) [62684-36210E9ALF](#) [52610-1675](#) [52746-1671-TR250](#) [10051922-2810EHLF](#) [6-520415-9](#)  
[BD021-09A-A1-0350-0200-0550-LD](#) [SFV6R-1STE9HLF](#) [XF3M-2915-1B-R100](#) [1658549-1](#) [62674-221121ALF](#) [46214008010800](#)  
[046298003000883](#) [151660622](#) [842-816-2630-035](#) [AYF530665TA](#) [AYF351525](#) [046296011930846+](#) [AYF352325A](#) [046254020000800+](#)  
[FH19C-13S-0.5SH\(99\)](#) [FH39J-51S-0.3SHW\(99\)](#) [AYF355125A](#) [AYF530365TA](#) [FH29B-44S-0.2SHW\(99\)](#) [SFW5R-2STAE9LF](#) [AYF351125A](#)  
[AYF350725A](#) [62684-502100AHLF](#) [FH39-61S-0.3SHW\(99\)](#) [AYF414035A](#) [10064555-172520HLF](#) [AYF212335A](#) [504754-2500](#)