

REV.	DESCRIPTION	DATE	NAME	X.XX±0.05
A1	EN1705040001	2017.08.04	劉建芳	X.X±0.25
A0	NEW RELEASE	2013.08.29	周傑亮	X.XX±0.15

UNIT	SCALE	SHEET
mm	1 : 1	1 of 2
DRAWN BY 周傑亮		
APPROVED BY 張子波		
2013.08.30		
GENERAL TOLERANCE		
X.X±0.25		
ANGLE		
DRAW NO. : A0505WR-S-XP		
REV. A1		

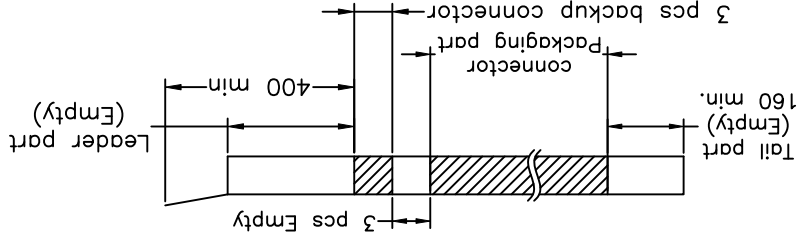
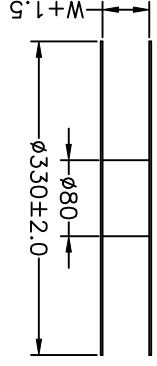
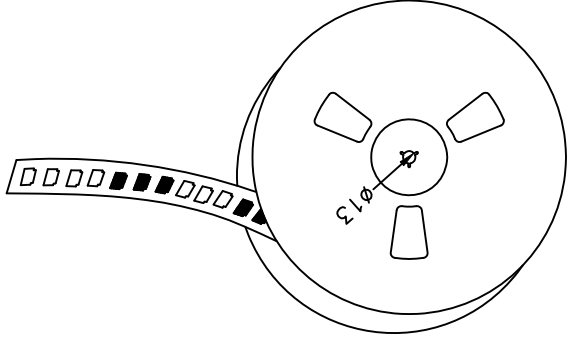
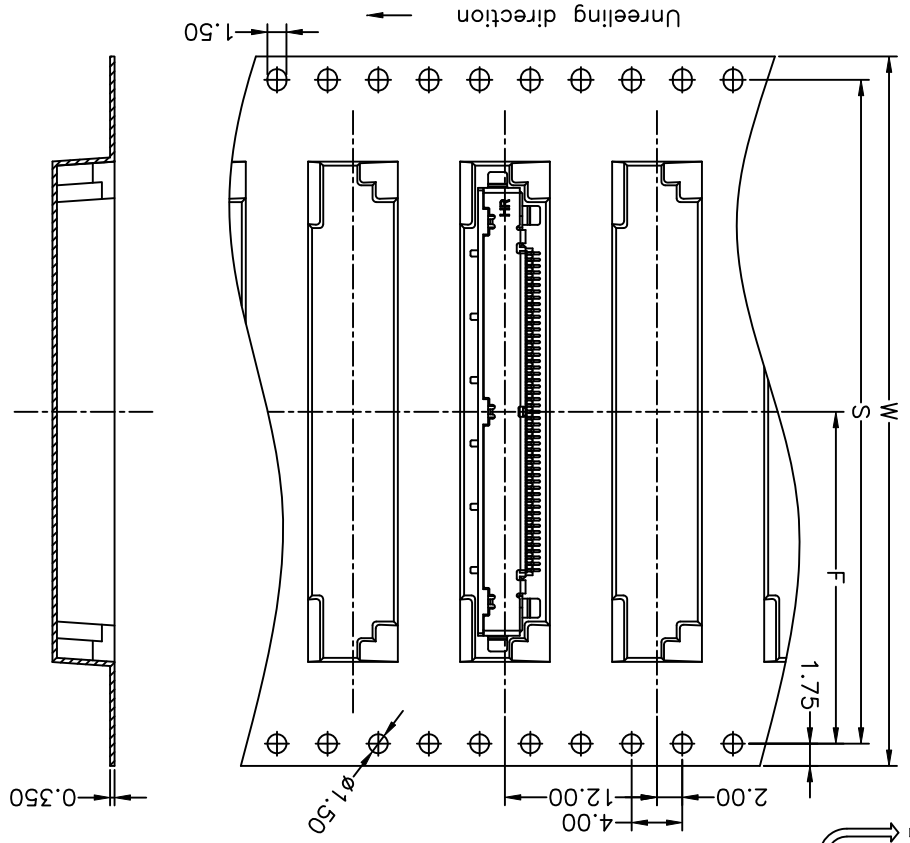
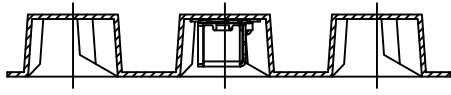
聯達電子工業股份有限公司
JOINT TECH ELECTRONIC IND. CO., LTD.

Circuit	Dimensions				
	No.	A	B	C	D
51P	25.00	31.00	35.35	37.85	5.00
41P	20.00	26.00	30.35	32.85	4.00
				E	

SPECIFICATIONS
 Current Rating: 0.7A AC,DC
 Voltage Rating: 100V AC,DC
 Temperature Range: -25°C ~ +85°C
 Contact Resistance: 50mΩ Max.
 Insulation Resistance: 100MΩ Min.
 Withstanding Voltage: 500V AC/minute
 Pin Material: Phosphor Bronze/Gold-Plated 3u"
 on Contact Area, Tin-Plated on Solder Area
 Shell Material: Phosphor Bronze/Matte Tin-plated
 Insulator Material: LCP, UL 94V-0
 Color: Black

P/N LEGEND
 ① Series No. A0505 WR-S-NP
 ② Connector type: WR=Right Angle
 ③ Mounting type: S=SMT Type
 ④ No. of circuits

Number of Contacts	W±0.3	F±0.1	S±0.1	Q'ty/Reel
41P	56	26.20	52.40	1,000
51P	56	26.20	52.40	1,000



REV.	DESCRIPTION	DATE	NAME	X.XXX±0.05	ANGLE	DRAW NO.: A050WR-S-XP	REV. A1
A1	EN1705040001	2017.05.04	劉建芳	X.XX±0.15	GENERAL TOLERANCE		
A0	NEW RELEASE	2018.08.29	周傑亮	X.XX±0.25	2013.08.30	DRAWN BY 張子波	REV. A1
				2013.08.30	APPROVED BY		
					2013.08.30	LVDS, Receptacle, Right Angle, SMT Type, Assembly	REV. A1
					2013.08.30		
					1 : 1	TITILE: JOINT TECH ELECTRONIC IND. CO., LTD.	REV. A1
					2 of 2		
					mm	UNIT SCALE SHEET	REV. A1


 燦達電子工業股份有限公司
 JOINT TECH ELECTRONIC IND. CO., LTD.

X-ON Electronics

Largest Supplier of Electrical and Electronic Components

Click to view similar products for [Headers & Wire Housings](#) category:

Click to view products by [Joint Tech](#) manufacturer:

Other Similar products are found below :

[95000-104TRLF](#) [10135584-644402LF](#) [DF62W-EP2022PCA](#) [95000-106TRLF](#) [DF62W-2022SCA](#) [DF62W-EP2022PC](#) [2203348](#) [DF62W-2022SC](#) [1084018](#) [1029039](#) [1084017](#) [802-10-012-10-002000](#) [1112640](#) [1112639](#) [891-007-9SS-BST1T](#) [000-34000](#) [0008550134](#) [0009482033](#) [0009507031](#) [57102-F02-18ULF](#) [57102-S06-03LF](#) [57202-S52-04LF](#) [PCN6-15S-2.5E](#) [0039019024](#) [58102-G61-06LF](#) [582553-1](#) [0009485154](#) [0009508121](#) [0022285053](#) [0050291907](#) [018731A](#) [LY20-4P-DT1-P1E-BR](#) [02.125.8002.8](#) [60101931](#) [60598-1 \(Cut Strip\)](#) [M1625-3R/100](#) [61062-3](#) [61082-181009](#) [CSU011177004](#) [636-1427](#) [638009-1](#) [641938-9](#) [641991-4](#) [644168-1](#) [644827-2](#) [647662-1](#) [65039-019ELF](#) [65692-001LF](#) [65781-018](#) [65781-047](#)