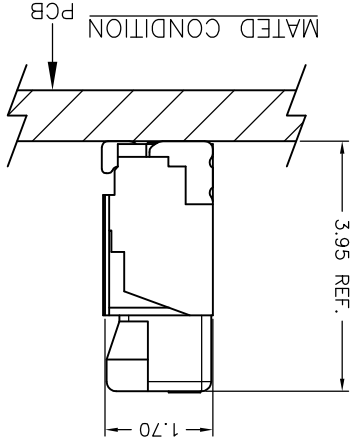


REV.	DESCRIPTION	DATE	X.XXX±0.05		DRAWN BY 李勤 2006.02.07	APPROVED BY 李勤 2006.02.07	GENERAL TOLERANCE	ANGLE	DRAWN NO.: A0800WV-S-XP
B0	REVISION	2008.11.26	X.XX±0.15						
B1	REVISION	2009.03.19	X.X±0.25						
B2	REVISION	2009.04.01							
B3	ECN NO. EN1001040002	2010.01.04							
B4	ECN NO. EN1001180043	2010.01.18							

**聯達電子工業股份有限公司**  
 JOINT TECH ELECTRONIC IND. CO., LTD.  
 TITLE: 180° WAFER-SMT TYPE  
 1 of 2 SHEETS

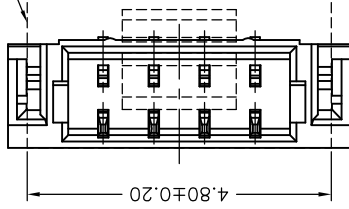
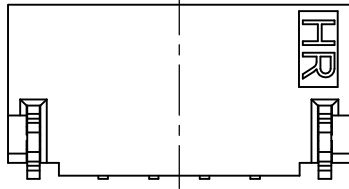
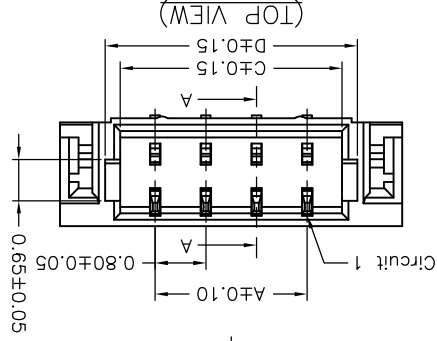
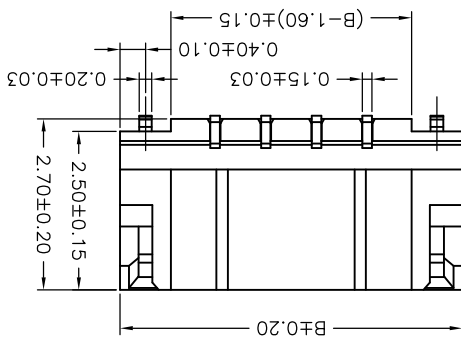
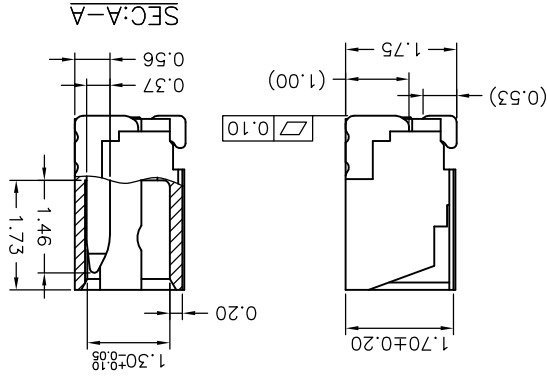
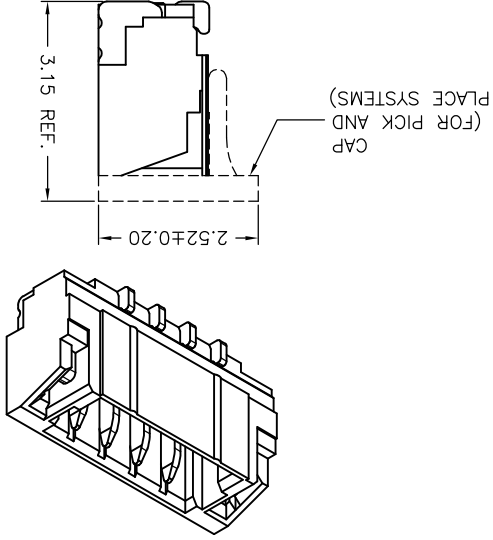
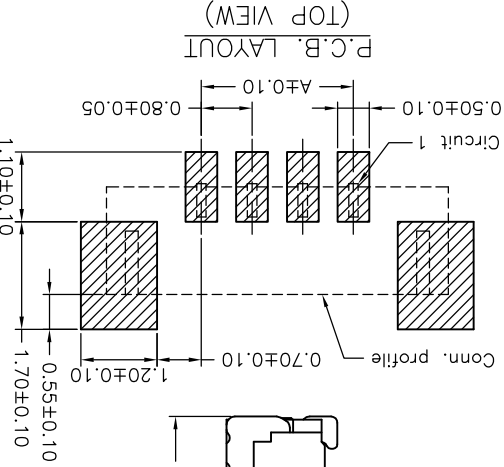
Dimensions		A	B	C	D
20P	0.80	3.80	1.90	2.38	
03P	1.60	4.60	2.70	3.18	
04P	2.40	5.40	3.50	3.98	
05P	3.20	6.20	4.30	4.78	
06P	4.00	7.00	5.10	5.58	
07P	4.80	7.80	5.90	6.38	
08P	5.60	8.60	6.70	7.18	
10P	7.20	10.20	8.30	8.78	
12P	8.80	11.80	9.90	10.38	
14P	10.40	13.40	11.50	11.98	
15P	11.20	14.20	12.30	12.78	
16P	12.00	15.00	13.10	13.58	
17P	12.80	15.80	13.90	14.38	
20P	15.20	18.20	16.30	16.78	



**Ordering code**  
**A0800 WV-S-XP XXX**

① Series No.  
 ② Connector type: WV=Vertical  
 ③ Mounting type: S=SMT without boss  
 ④ No. of circuits  
 ⑤ Option code:  
 Blank=Contacts/Matte Tin-plated and Solder tabs/Matte Tin-plated  
 D01=Contacts/Gold-flash and Solder tabs/Gold-flash

**SPECIFICATIONS**  
 Current Rating: 0.5A AC,DC  
 Voltage Rating: 30V AC,DC  
 Temperature Range: -25°C ~ +85°C  
 Contact Resistance: 20mΩ Max.  
 Insulation Resistance: 100MΩ Min.  
 Withstanding Voltage: 200V AC/minute  
 Pin Material: Phosphor Bronze/  
 Matte Tin-plated or Gold-flash  
 Solder Tabs: Phosphor Bronze/  
 Matte Tin-plated or Gold-flash  
 Material: Nylon 6T,UL94V-0  
 Cap: Nylon 6T,UL94V-0,Natural(Beige)  
 Color: Natural(Beige)



1 2 3 4

A B C D

## X-ON Electronics

Largest Supplier of Electrical and Electronic Components

*Click to view similar products for [Headers & Wire Housings](#) category:*

*Click to view products by [Joint Tech](#) manufacturer:*

Other Similar products are found below :

[95000-104TRLF](#) [10135584-644402LF](#) [DF62W-EP2022PCA](#) [95000-106TRLF](#) [DF62W-2022SCA](#) [DF62W-EP2022PC](#) [2203348](#) [DF62W-2022SC](#) [1084018](#) [1029039](#) [1084017](#) [802-10-012-10-002000](#) [1112640](#) [1112639](#) [891-007-9SS-BST1T](#) [000-34000](#) [0008550134](#) [0009482033](#) [0009507031](#) [57102-F02-18ULF](#) [57102-S06-03LF](#) [57202-S52-04LF](#) [PCN6-15S-2.5E](#) [0039019024](#) [58102-G61-06LF](#) [582553-1](#) [0009485154](#) [0009508121](#) [0022285053](#) [0050291907](#) [018731A](#) [LY20-4P-DT1-P1E-BR](#) [02.125.8002.8](#) [60101931](#) [60598-1 \(Cut Strip\)](#) [M1625-3R/100](#) [61062-3](#) [61082-181009](#) [CSU011177004](#) [636-1427](#) [638009-1](#) [641938-9](#) [641991-4](#) [644168-1](#) [644827-2](#) [647662-1](#) [65039-019ELF](#) [65692-001LF](#) [65781-018](#) [65781-047](#)