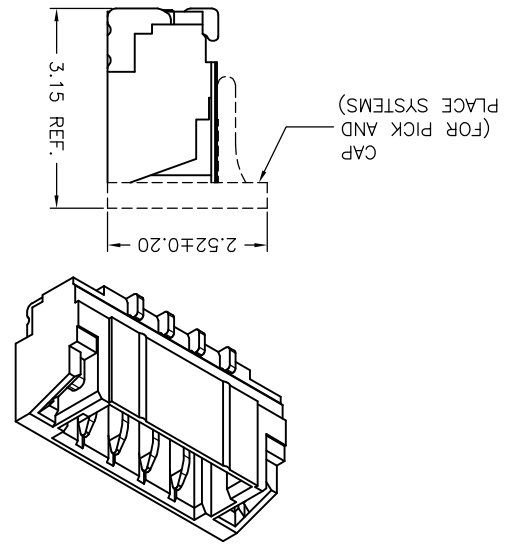
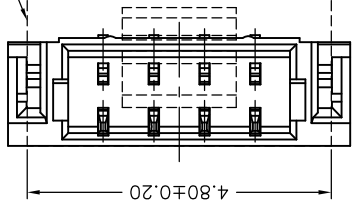
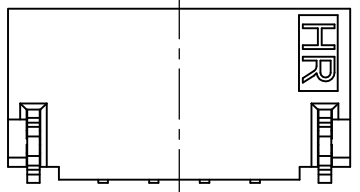
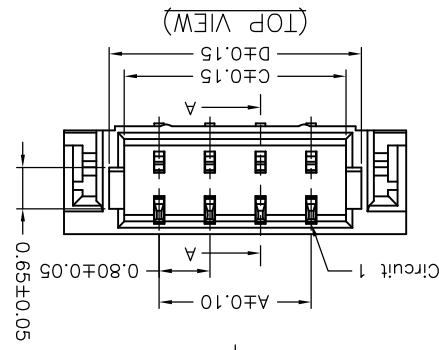
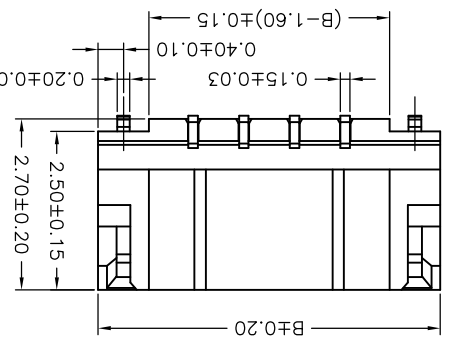
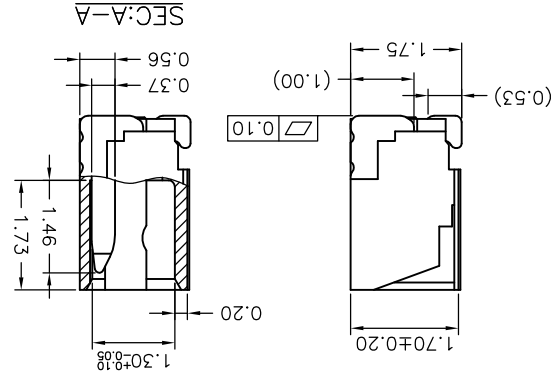
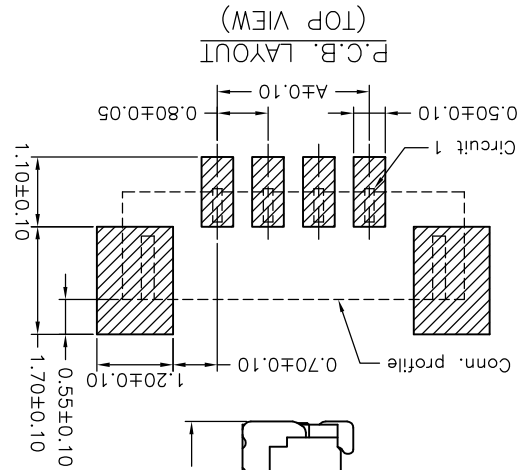
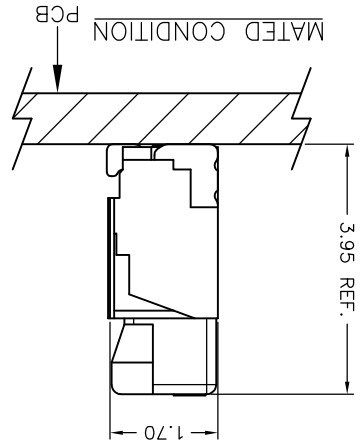


REV.	DESCRIPTION	DATE	X.XXX±0.05	ANGLE	DRAWN BY 李勤 2006.02.07 APPROVED BY 李勤 2006.02.07 GENERAL TOLERANCE
B0	REVISE	2008.11.26	X.XX±0.15		
B1	REVISE	2009.03.19	X.X±0.25		
B2	REVISE	2009.04.01			
B3	ECN NO. EN1001040002	2010.01.04			
B4	ECN NO. EN1001180043	2010.01.18			
		UNIT	mm	SCALE	SHEET
		TITLE: 聯達電子工業股份有限公司 JOINT TECH ELECTRONIC IND. CO., LTD.			
		DRAW NO.: A0800WV-S-XP			
REV.	B4				

Dimensions		A	B	C	D
20P	0.80	3.80	1.90	2.38	
03P	1.60	4.60	2.70	3.18	
04P	2.40	5.40	3.50	3.98	
05P	3.20	6.20	4.30	4.78	
06P	4.00	7.00	5.10	5.58	
07P	4.80	7.80	5.90	6.38	
08P	5.60	8.60	6.70	7.18	
10P	7.20	10.20	8.30	8.78	
12P	8.80	11.80	9.90	10.38	
14P	10.40	13.40	11.50	11.98	
15P	11.20	14.20	12.30	12.78	
16P	12.00	15.00	13.10	13.58	
17P	12.80	15.80	13.90	14.38	
20P	15.20	18.20	16.30	16.78	

SPECIFICATIONS
 Current Rating: 0.5A AC,DC
 Voltage Rating: 30V AC,DC
 Contact Resistance: 20mΩ Max.
 Insulation Resistance: 100MΩ Min.
 Withstanding Voltage: 200V AC/minute
 Pin Material: Phosphor Bronze/
 Matte Tin-plated or Gold-flash
 Solder Tabs: Phosphor Bronze/
 Matte Tin-plated or Gold-flash
 Material: Nylon 6T,UL94V-0
 Cap: Nylon 6T,UL94V-0,Natural(Beige)
 Color: Natural(Beige)

Ordering code
 A0800 WV-S-XP XXX
 ① Series No.
 ② Connector type: WV=Vertical
 ③ Mounting type: S=SMT without boss
 ④ No. of circuits
 ⑤ Option code:
 Blank=Contacts/Matte Tin-plated and
 Solder tabs/Matte Tin-plated
 D01=Contacts/Gold-flash and
 Solder tabs/Gold-flash



X-ON Electronics

Largest Supplier of Electrical and Electronic Components

Click to view similar products for [Headers & Wire Housings](#) category:

Click to view products by [Joint Tech](#) manufacturer:

Other Similar products are found below :

[95000-104TRLF](#) [10135584-644402LF](#) [DF62W-EP2022PCA](#) [95000-106TRLF](#) [DF62W-2022SCA](#) [DF62W-EP2022PC](#) [2203348](#) [DF62W-2022SC](#) [1084018](#) [1029039](#) [1084017](#) [802-10-012-10-002000](#) [1112640](#) [1112639](#) [891-007-9SS-BST1T](#) [000-34000](#) [0008550134](#) [0009482033](#) [0009507031](#) [57102-F02-18ULF](#) [57102-S06-03LF](#) [57202-S52-04LF](#) [PCN6-15S-2.5E](#) [0039019024](#) [58102-G61-06LF](#) [582553-1](#) [0009485154](#) [0009508121](#) [0022285053](#) [0050291907](#) [018731A](#) [LY20-4P-DT1-P1E-BR](#) [02.125.8002.8](#) [60101931](#) [60598-1 \(Cut Strip\)](#) [M1625-3R/100](#) [61062-3](#) [61082-181009](#) [CSU011177004](#) [636-1427](#) [638009-1](#) [641938-9](#) [641991-4](#) [644168-1](#) [644827-2](#) [647662-1](#) [65039-019ELF](#) [65692-001LF](#) [65781-018](#) [65781-047](#)