


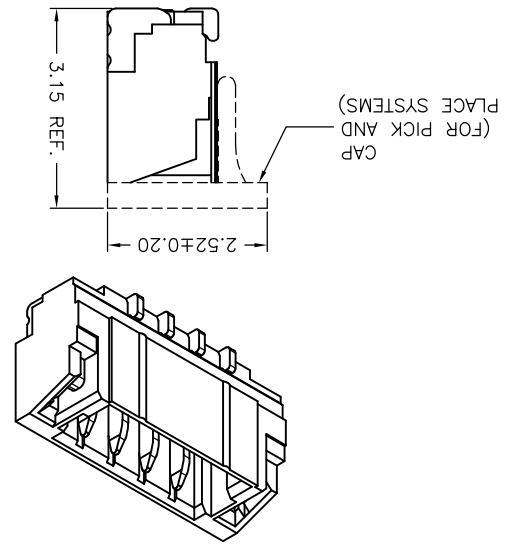
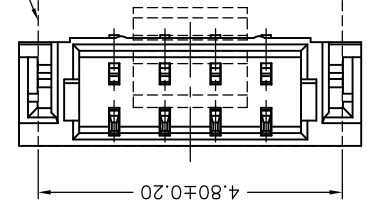
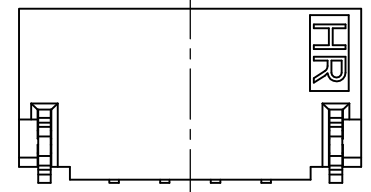
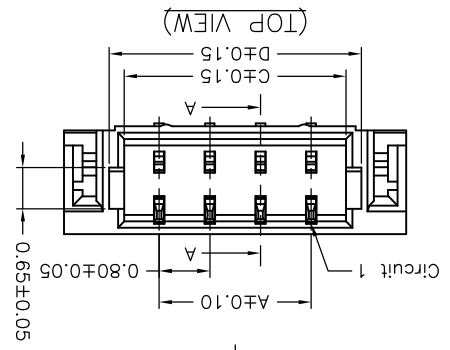
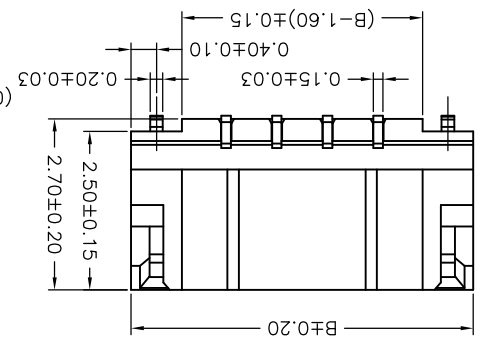
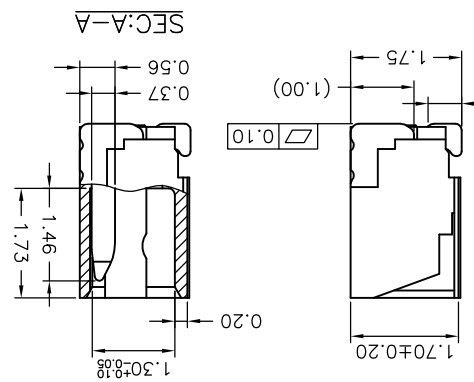
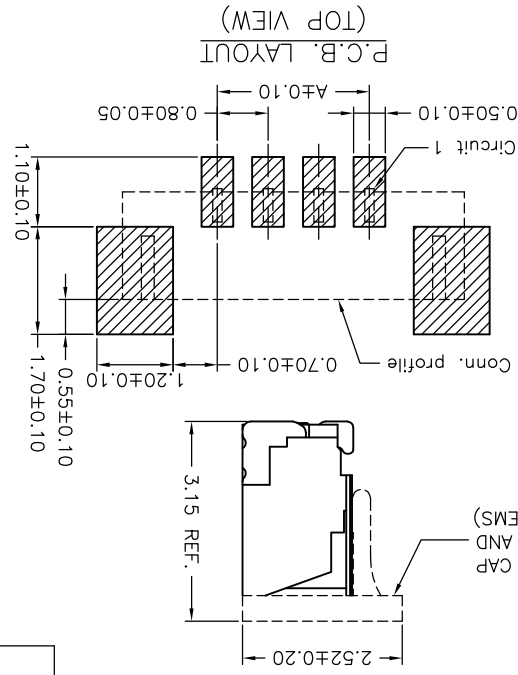
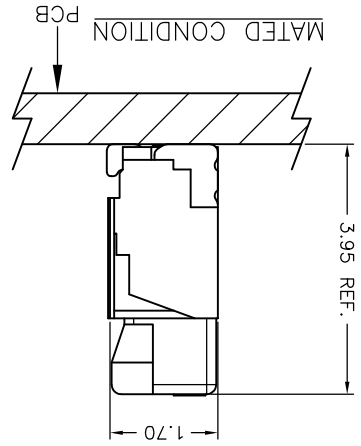
REV.	DESCRIPTION	DATE	X.XXX±0.05	 ANGLE
B0	REVISE	2008.11.26	X.XX±0.15	
B1	REVISE	2009.03.19	X.X±0.25	
B2	REVISE	2009.04.01	GENERAL TOLERANCE	
B3	ECN NO. EN1001040002	2010.01.04	2006.02.07	
B4	ECN NO. EN1001180043	2010.01.18	2006.02.07	DRAWN BY 李勤 李勤 2006.02.07 APPROVED BY 李勤 李勤 2006.02.07
DRAWN BY		SCALE	UNIT	TITLE:
APPROVED BY		SHEET	1 of 2	
DRAW NO.:		A0800WV-S-XP		
REV.		B4		


聯達電子工業股份有限公司
 JOINT TECH ELECTRONIC IND. CO., LTD.

Dimensions		A		B		C		D	
Circuit	No.	0.80	3.80	1.90	2.38	0.3P	1.60	4.60	2.70
02P	0.80	3.80	1.90	2.38	0.3P	1.60	4.60	2.70	3.18
04P	2.40	5.40	3.50	3.98	0.4P	2.40	5.40	3.50	3.98
05P	3.20	6.20	4.30	4.78	0.5P	3.20	6.20	4.30	4.78
06P	4.00	7.00	5.10	5.58	0.6P	4.00	7.00	5.10	5.58
07P	4.80	7.80	5.90	6.38	0.7P	4.80	7.80	5.90	6.38
08P	5.60	8.60	6.70	7.18	0.8P	5.60	8.60	6.70	7.18
10P	7.20	10.20	8.30	8.78	10P	7.20	10.20	8.30	8.78
12P	8.80	11.80	9.90	10.38	12P	8.80	11.80	9.90	10.38
14P	10.40	13.40	11.50	11.98	14P	10.40	13.40	11.50	11.98
15P	11.20	14.20	12.30	12.78	15P	11.20	14.20	12.30	12.78
16P	12.00	15.00	13.10	13.58	16P	12.00	15.00	13.10	13.58
17P	12.80	15.80	13.90	14.38	17P	12.80	15.80	13.90	14.38
20P	15.20	18.20	16.30	16.78	20P	15.20	18.20	16.30	16.78

SPECIFICATIONS
 Series No. ①
 Connector type: WV=Vertical
 Mounting type: S=SMT without boss
 No. of circuits ④
 Option code: ⑤
 Blank=Contacts/Matte Tin-plated and Solder tabs/Matte Tin-plated
 D01=Contacts/Gold-flash and Solder tabs/Gold-flash
 Insulation Resistance: 100MΩ Min.
 Withstanding Voltage: 200V AC/minute
 Pin Material: Phosphor Bronze/
 Matte Tin-plated or Gold-flash
 Solder Tabs: Phosphor Bronze/
 Matte Tin-plated or Gold-flash
 Material: Nylon 6T, UL94V-0
 Cap: Nylon 6T, UL94V-0, Natural(Beige)
 Color: Natural(Beige)

Ordering code
 A0800 WV-S-XP XXX ① ② ③ ④ ⑤
 ① Series No.
 ② Connector type: WV=Vertical
 ③ Mounting type: S=SMT without boss
 ④ No. of circuits
 ⑤ Option code:
 Blank=Contacts/Matte Tin-plated and Solder tabs/Matte Tin-plated
 D01=Contacts/Gold-flash and Solder tabs/Gold-flash



1 2 3 4

A B C D

X-ON Electronics

Largest Supplier of Electrical and Electronic Components

Click to view similar products for [Headers & Wire Housings](#) category:

Click to view products by [Joint Tech](#) manufacturer:

Other Similar products are found below :

[95000-104TRLF](#) [10135584-644402LF](#) [DF62W-EP2022PCA](#) [95000-106TRLF](#) [DF62W-2022SCA](#) [DF62W-EP2022PC](#) [2203348](#) [DF62W-2022SC](#) [1084018](#) [1029039](#) [1084017](#) [802-10-012-10-002000](#) [1112640](#) [1112639](#) [891-007-9SS-BST1T](#) [000-34000](#) [0008550134](#) [0009482033](#) [0009507031](#) [57102-F02-18ULF](#) [57102-S06-03LF](#) [57202-S52-04LF](#) [PCN6-15S-2.5E](#) [0039019024](#) [58102-G61-06LF](#) [582553-1](#) [0009485154](#) [0009508121](#) [0022285053](#) [0050291907](#) [018731A](#) [LY20-4P-DT1-P1E-BR](#) [02.125.8002.8](#) [60101931](#) [60598-1 \(Cut Strip\)](#) [M1625-3R/100](#) [61062-3](#) [61082-181009](#) [CSU011177004](#) [636-1427](#) [638009-1](#) [641938-9](#) [641991-4](#) [644168-1](#) [644827-2](#) [647662-1](#) [65039-019ELF](#) [65692-001LF](#) [65781-018](#) [65781-047](#)