

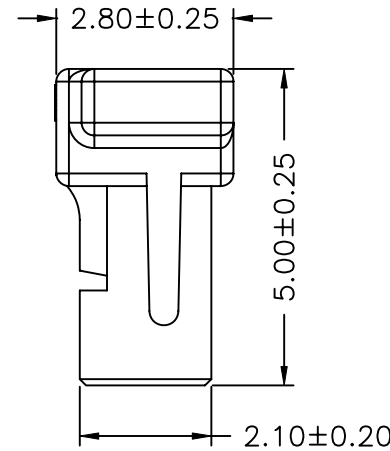
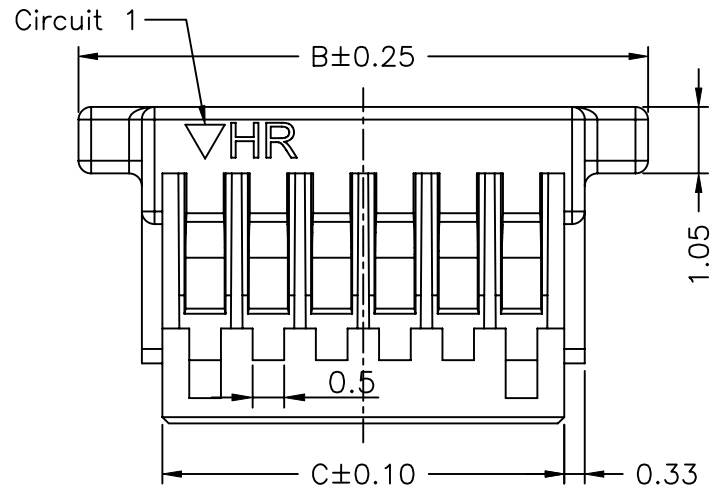
P/N LEGEND

A1001	HB	XP	N	0	X	NP	N	10	G
①	②	③	④	⑤	⑥	⑦	⑧	⑨	⑩

① Series No.  
 ② Connector type: HB=Housing B type  
 ③ No. of circuits  
 ④ N=Halogen Free  
 ⑤ Material: 0=Nylon 66-V0+15%GF  
 ⑥ Color: W=White; B=Black  
 ⑦ Plating code: NP=Non-plating  
 ⑧ Plating code: N=Non-plating  
 ⑨ Option code: 10=With ear  
 ⑩ Packing code: G=Bag

SPECIFICATIONS

Current Rating: 1A AC,DC  
 Voltage Rating: 50V AC,DC  
 Temperature Range: -25°C ~ +85°C  
 Contact Resistance: 20mΩ Max.  
 Insulation Resistance: 100MΩ Min.  
 Withstanding Voltage: 500V AC/minute



Circuit No.	Dimensions			Circuit No.	Dimensions		
	A	B	C		A	B	C
02P	1.00	5.00	2.35	12P	11.00	15.00	12.35
03P	2.00	6.00	3.35	13P	12.00	16.00	13.35
04P	3.00	7.00	4.35	14P	13.00	17.00	14.35
05P	4.00	8.00	5.35	15P	14.00	18.00	15.35
06P	5.00	9.00	6.35	16P	15.00	19.00	16.35
07P	6.00	10.00	7.35	17P	16.00	20.00	17.35
08P	7.00	11.00	8.35	18P	17.00	21.00	18.35
09P	8.00	12.00	9.35	19P	18.00	22.00	19.35
10P	9.00	13.00	10.35	20P	19.00	23.00	20.35
11P	10.00	14.00	11.35	24P	23.00	27.00	24.35

燦達電子工業股份有限公司 JOINT TECH ELECTRONIC IND. CO., LTD.							
UNIT	SCALE	SHEET	TITLE:				
mm	1 : 1	1 of 1	1.00mm PITCH HOUSING WITH PROTRUSIONS				
DRAWN BY	APPROVED BY					DRAW NO. :	
陳錦展	謝瑞清					A1001HB-XPXXXXX10X	
2012.12.12	2012.12.12					REV. A2	
A2	EN1608250008	2016.08.31	賴永強	GENERAL TOLERANCE			
A1	EN1305200154	2013.05.20	陳錦展	X.X±0.25	ANGLE±		
A0	NEW RELEASE	2012.12.12	陳錦展	X.XX±0.15			
REV.	DESCRIPTION	DATE	NAME	X.XXX±0.05			

## X-ON Electronics

Largest Supplier of Electrical and Electronic Components

*Click to view similar products for [Headers & Wire Housings](#) category:*

*Click to view products by [Joint Tech](#) manufacturer:*

Other Similar products are found below :

[0015917161](#) [0022155065](#) [57102-F02-18ULF](#) [58102-G61-06LF](#) [582553-1](#) [01.001.5753.1](#) [0050291907](#) [02.125.8002.8](#) [609-3404](#) [61062-3](#)  
[CSU011177004](#) [622-0430](#) [622-3653LF](#) [63453-116](#) [636-1030](#) [636-1427](#) [636-3427](#) [636-4007](#) [641938-9](#) [65495-038](#) [65692-001LF](#) [65781-018](#)  
[65781-047](#) [65817-010LF](#) [65817-015LF](#) [67095-007LF](#) [67601157](#) [68631-112](#) [68645-018](#) [699319-000](#) [70.362.1628.0](#) [70-4210](#) [70-4226B](#) [70-](#)  
[4853B](#) [71.350.2428.0](#) [733-134](#) [733-162](#) [760-3052](#) [MHR-64-VUAL](#) [80.063.4001.1](#) [800-90-001-10-001000](#) [801-43-002-10-013000](#)  
[801-43-006-10-002000](#) [803-43-024-10-001000](#) [803-93-012-10-001000](#) [8-1437020-4](#) [819-22-004-30-001101](#) [820-22-006-30-001101](#)  
[820-22-008-30-001101](#) [821-22-002-10-001101](#)